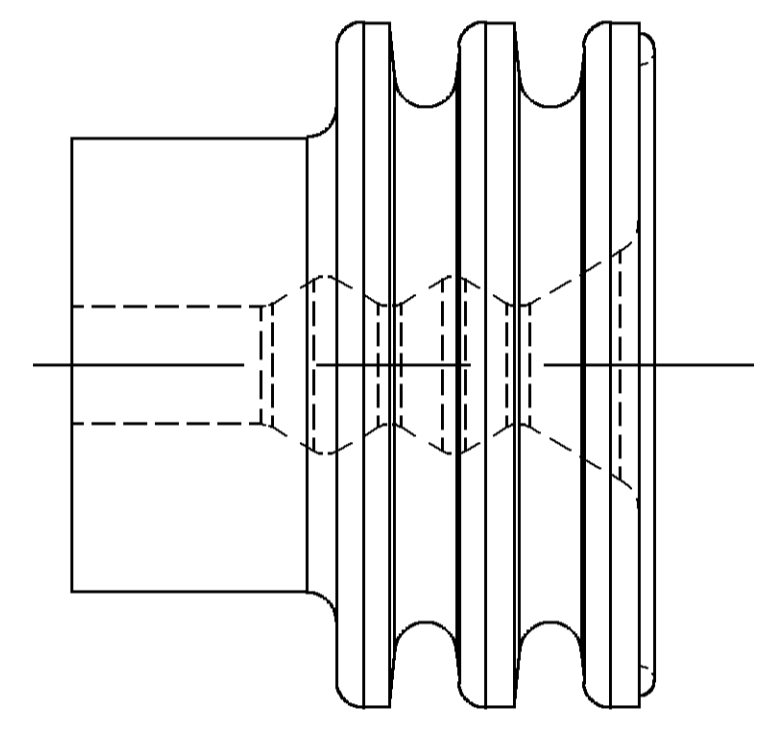
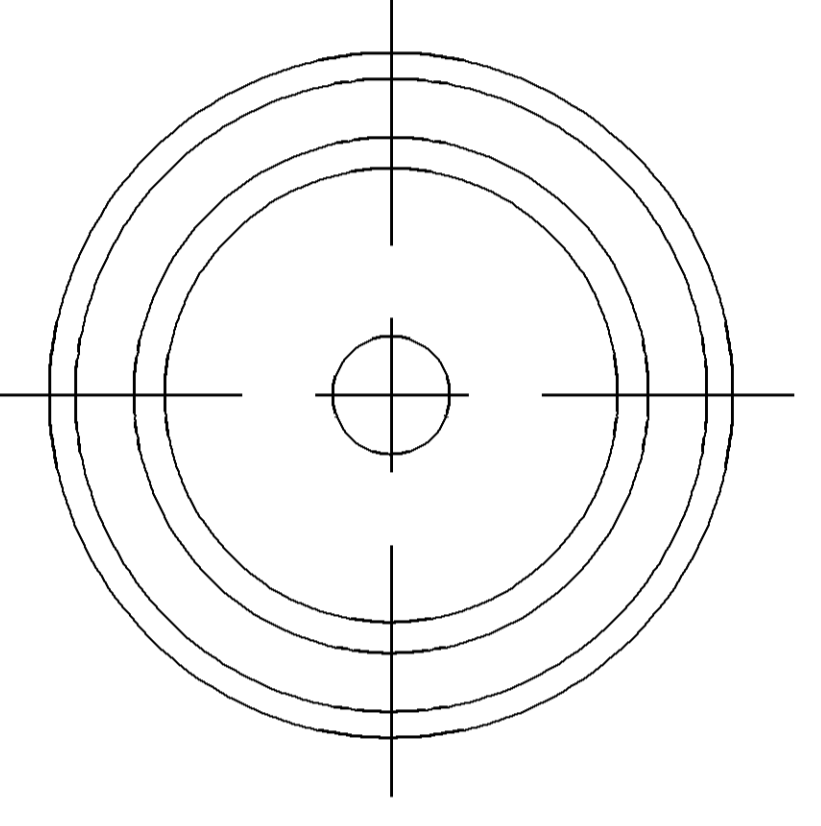
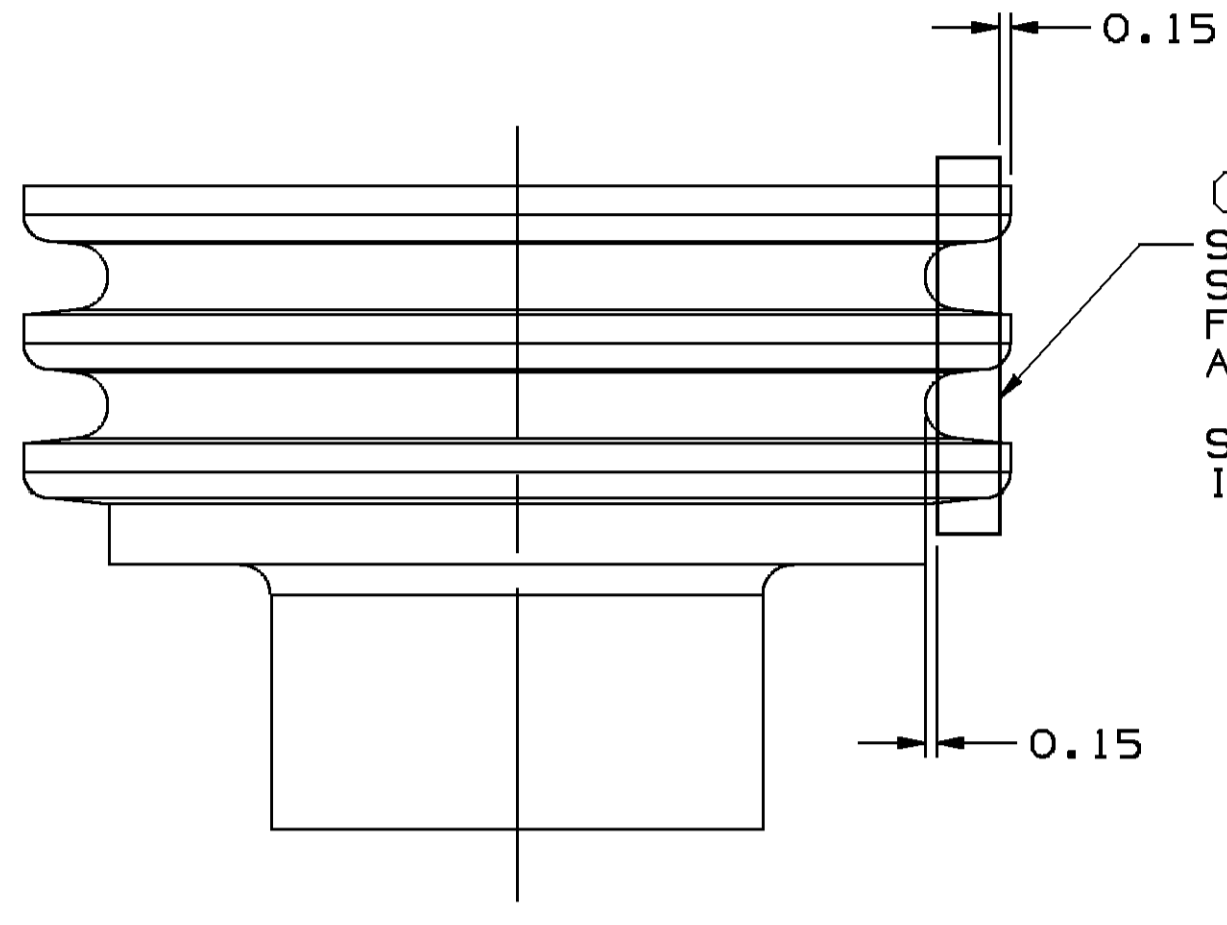


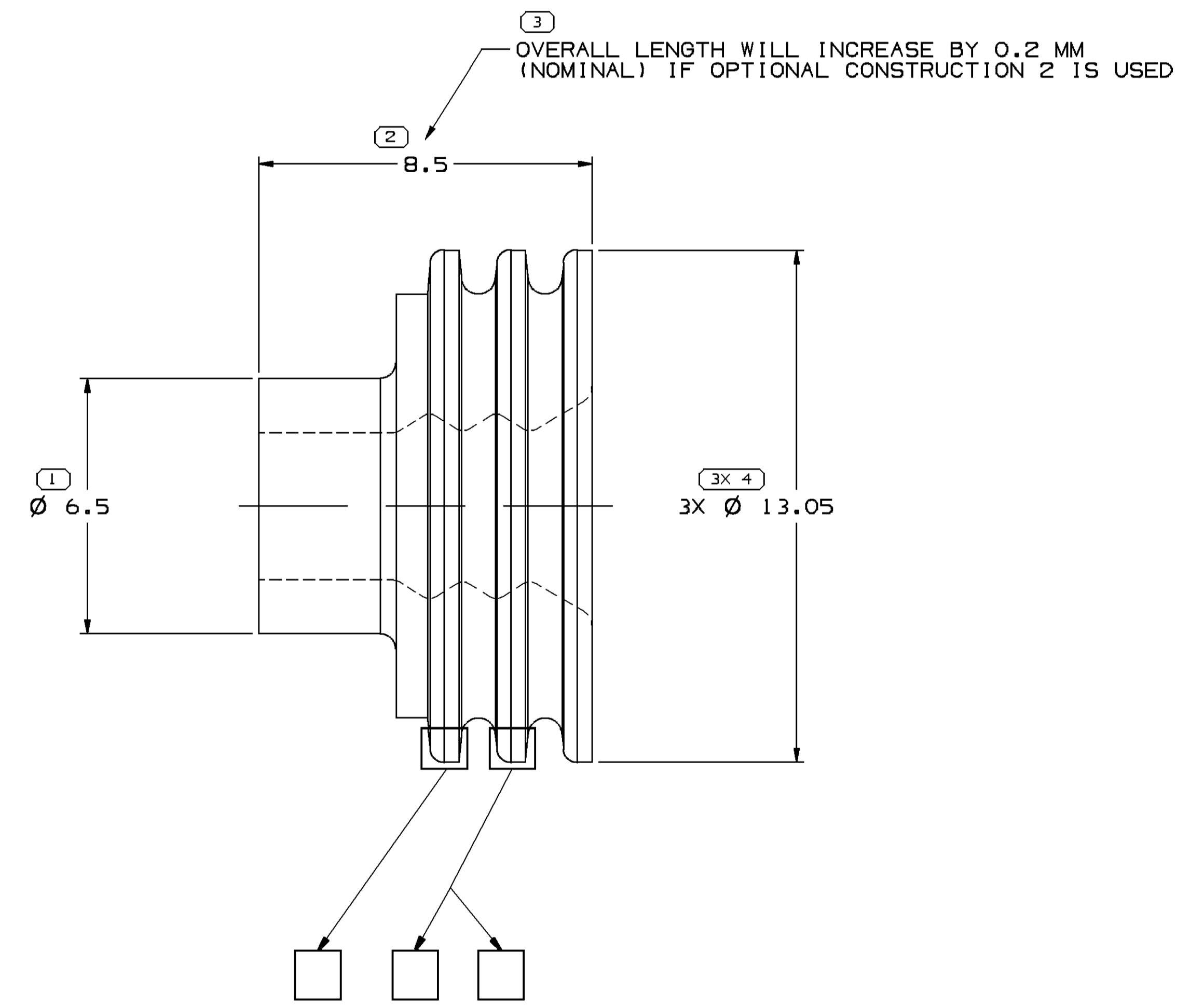
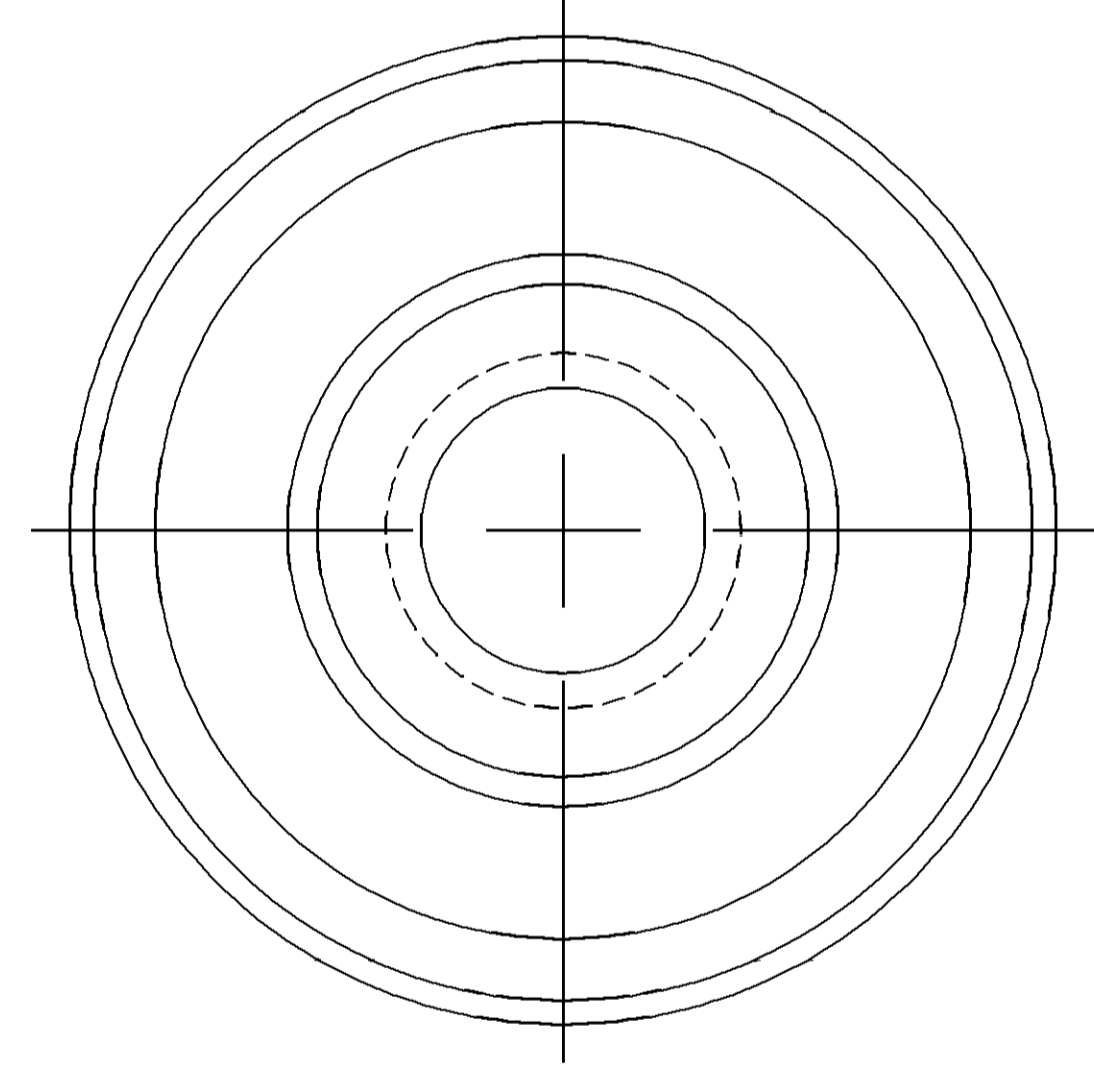
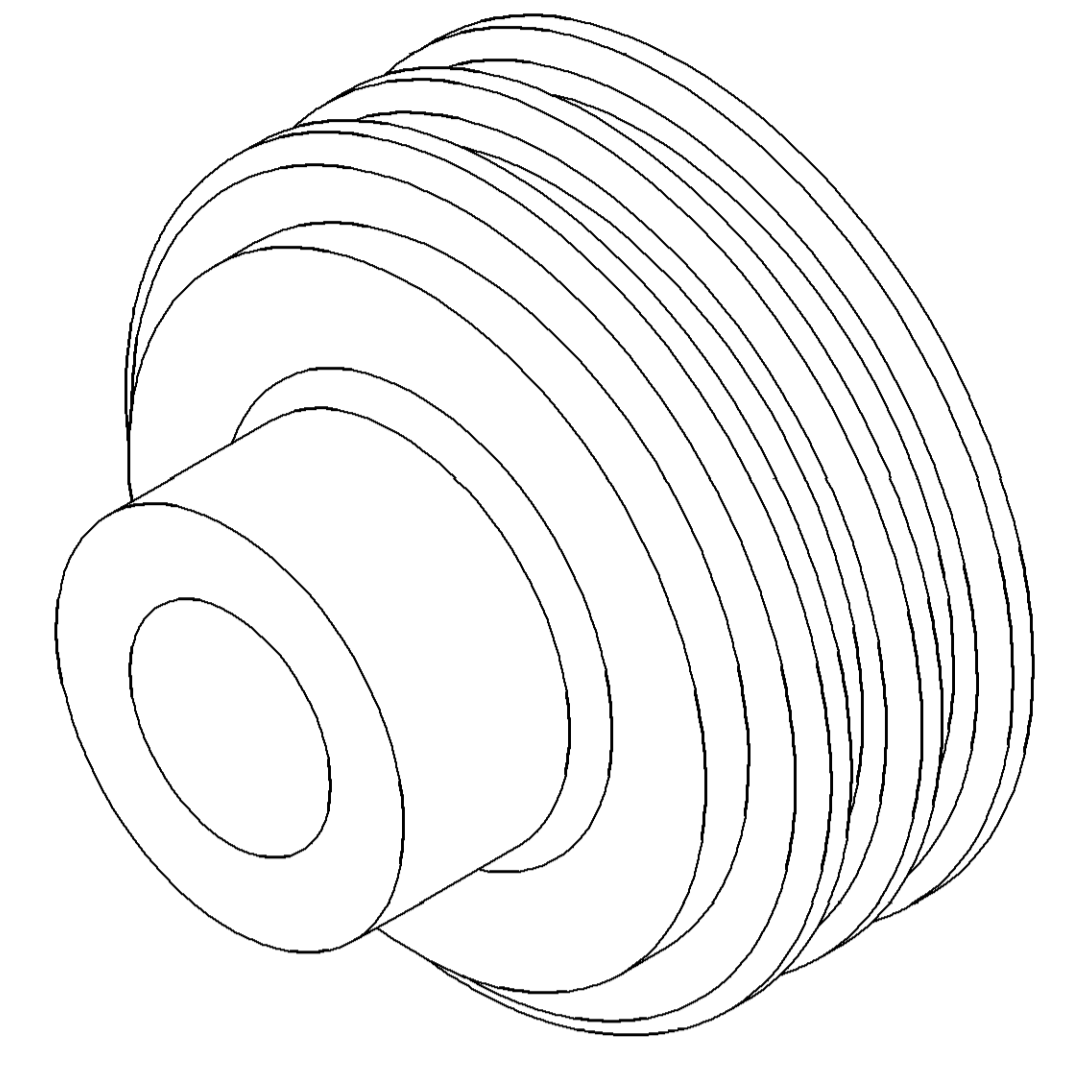
OPTIONAL CONSTRUCTION 1  
(ANTI-STICK RING)



OPTIONAL CONSTRUCTION 2  
THIS IS THE PREFERRED CONSTRUCTION FOR NEW  
TOOL BUILDS  
(ANTI-STICK RING)



SEALING RIBS MUST BE FREE OF SINKS, VOIDS, KNIT LINES AND FLASH, IN THE AREA SHOWN ALL AROUND PART.  
SEE VPS A-121 FOR ADDITIONAL INFORMATION



- NOTES
- UNLESS OTHERWISE SPECIFIED AND/OR INDICATED: DIMENSIONS ARE TO FACE OF VIEW SHOWN AND AUTOMATICALLY ROUNDED BY COMPUTER FOR INSPECTION. (SEE MATH MODEL FOR PRECISE DIMENSIONS.) FOR ALL OTHER DIMENSIONS NOT SHOWN BUT REQUIRED FOR TOOL BUILD, SEE MATH MODEL FOR PRECISE TOOL PATH DATA.  
SEALING RIBS MAY DIFFER AS SHOWN.
  - PARTS ARE TO BE PACKAGED IN SEALED PLASTIC BAGS. GROSS WEIGHT INCLUDING CARTON IS NOT TO EXCEED 34 POUNDS.
  - PART NO 12129381 ASSEMBLES TO TERMINAL & SPRING ASSEMBLY 12129414 OR EQUIVALENT.
  - CABLE SEAL DESIGNED FOR CABLE CRIMPED TO 800 SERIES TERMINALS.
  - P/N 13727919 MUST BE POST-BAKED FOR 4 HOURS AT 400° F.
  - THIS PRODUCT IS NOT CATEGORIZED AS AN APPEARANCE ITEM, MINOR IMPERFECTIONS INCLUDING, BUT NOT LIMITED TO, FLOW MARKS, COLOR BLEMISHES, GATE VESTIGE, AND SOFT FLASH THAT DO NOT AFFECT THE FIT, FORM, OR FUNCTION OF THE PART ARE PERMISSIBLE PER NAP 4.10-18.

SYMBOL DEFINITION		TOTAL NO OF INSPECTIONS REQUIRED	MISSING SYMBOLS
A DIMENSION WITHOUT AN INSPECTION REPORT SYMBOL DOES NOT REQUIRE INSPECTION. IT MAY BE CONTROLLED ON THE INDIVIDUAL COMPONENT DRAWING.		7	NO MISSING SYMBOL NUMBER
		LAST NO. USED	5

DWS STATUS				REVISION HISTORY				AUTH	DR	APVD	APVD
DATE	STG	REV	N/P	CHG	ZONE						
23.JUL02	R	08	-	-	-	CLEARED REV COL: 15393982 - OBSOLETE	225182	AFM	JAN	JR	
030006	R	09	-	-	-	ALL ACTIVE PARTS - REMOVED A,C,F,G & TYPE COLUMNS FROM CHART, TYPE 702. OPTIONAL CONSTRUCTION FOR TYPE 701 & 702 VIEWS, MAT'L SPEC NOTE AND DIMS (1 PLCS); ADDED MAT'L SPEC NUMBER TO CHART; ALTERNATE MAT'L SPEC, SEALING RIBS LABEL, OVERALL LENGTH LABEL, SEALING RIBS VIEWS & NOTE, DIMS (2 PLCS) AND ANTI-STICK RING OPTIONAL CONSTRUCTION VIEWS; DIM Ø 6.5 WAS Ø C, DIM 8.5 WAS F, DIM Ø 13.5 WAS Ø B; 12129381 & 15336703 - RESTRICTED					
25SE08	R	10	-	-	-	13727919 - RELEASED	406199	MMC	MSM	MMC	
25.JUN09	R	11	-	-	-	15393982,15336703,15324999,15324998, 12129381 - MATERIAL CALL OUT CORRECTED	408319	MSM	MSM	MSM	

PART NO	REV	N/P	STATUS	PART NO	REV	N/P	STATUS	MATERIAL SPEC	COLOR	CABLE O.D.	ALTERNATE MATERIAL SPEC	CAVITY ID	VOL CM <sup>3</sup>	EQUIVALENT CABLE SEAL	NOTES
13727919	01	-	-	13727919	01	-	-	SILICONE METHYL/VINYL BLUE	BLUE	4.5-3.61	SILICONE METHYL/VINYL	12.5	0.593	15336703	SEE NOTE 5
15393982	01	AE	OBSOLETE	15393982	01	AE	OBSOLETE	SILICONE METHYL/VINYL TAN	TAN	4.7-4.54	-	12.5	0.479	-	-
15336703	A4	-	RESTRICTED	15336703	A4	-	RESTRICTED	SILICONE METHYL/VINYL BLUE	BLUE	4.5-3.61	-	12.5	0.593	15324999	-
15324999	01	AF	-	15324999	01	AF	-	SILICONE METHYL/VINYL BLUE	BLUE	4.5-3.61	M3466008	12.5	0.593	15336703	-
15324998	01	AF	-	15324998	01	AF	-	SILICONE METHYL/VINYL RED	DARK RED	4.7-4.54	M3466037	12.5	0.560	12129381	-
12129381	F6	-	RESTRICTED	12129381	F6	-	RESTRICTED	SILICONE METHYL/VINYL RED	DARK RED	4.7-4.54	-	12.5	0.560	15324998	-

DIMENSIONAL RANGE (MM)	CHART	EST
FROM > 0	> 20	> 30
TO 20	30	70
	70	100
	100	150
	150	200
	200	250
	250	300
	300	400

DWG TYPE: PART DRAWING

STYLE: SEE CHART

VOLUME (QTY): D

DISTR CODE: D

UNLESS OTHERWISE SPECIFIED THIS DOCUMENT IS IN ACCORDANCE WITH ASME Y14.5M-1994 AS MODIFIED BY THE 2003 DIMENSIONING AND TOLERANCING ADDENDUM - 1997. ALL GEOMETRIC TOLERANCES AND RELATED DATUMS APPLY UNLESS INDICATED OTHERWISE. UNLESS OTHERWISE SPECIFIED, SEPARATE POSITION CALLOUTS MAY BE BASED SEPARATELY, REGARDLESS OF DATUM REFERENCE. ALL DIMENSIONS ARE IN MILLIMETERS.

THIRD ANGLE PROJECTION

DO NOT SCALE

USE MATH DATA

**DELPHI**

DELPHI PACKARD ELECTRIC SYSTEMS  
WARREN, OH

OR DATE

APV01 J. COLDSNOW 160C91

APV02 J. COLDSNOW 160C91

APV03 R. MAGA 180C91

APV04

SUBSTANCES OF CONCERN AND RECYCLED CONTENT PER DELPHI (09+000)

MATERIAL: SEE CHART

DRAWING NAME: TAXI SEAL CBL 1W M/P

DRAWING NUMBER: 12010295

SIZE: A0

SCALE: 10:1

FRAME NO: 1 OF 1

SHEET NO: 5 OF 5

REV: R

DATE: 11-15