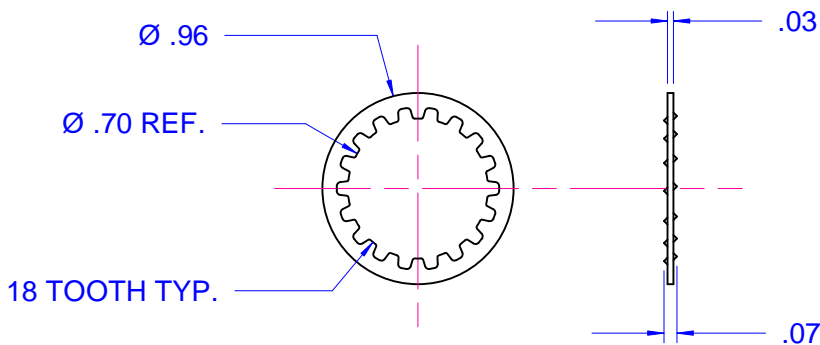


DWG NO. 183-031160-000	
LET	DESCRIPTION
A	REVISED O.D. AND NUMBER OF TEETH



STEEL		FINISH NICKEL or BRIGHT ZINC		SORENSEN LIGHTED CONTROL Hartford, Connecticut		
DISCLAIMER NOTICE PERSONS RECEIVING THIS DOCUMENT IS THE SOLE PROPERTY OF SORENSEN LIGHTED CONTROL, INC. AND IS NOT TO BE REPRODUCED IN WHOLE OR IN PART FOR ANY PURPOSES BY ANYONE WITHOUT THE EXPRESS CONSENT OF SORENSEN LIGHTED CONTROL, INC.	UNSPECIFIED TOLERANCES		TOOL NO.		TITLE INTERNAL TOOTH LOCK WASHER	
	FRAC. $\pm 1/64$ X.XXX $\pm .005$		DRAWN	DATE		
	X.XX $\pm .010$ ANGLES $\pm 1^\circ$		WRS	12/06/02	SIZE A	DWG NO. 183-031160-000
	PROJECTIONS 		CHECKD	DATE	USED ON	
DIMENSIONS IN (mm)		APPVD	DATE	SCALE		