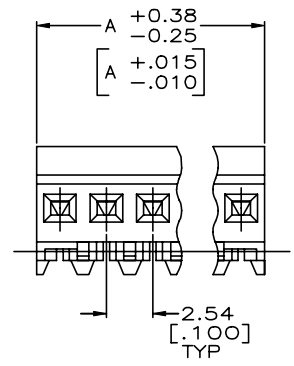
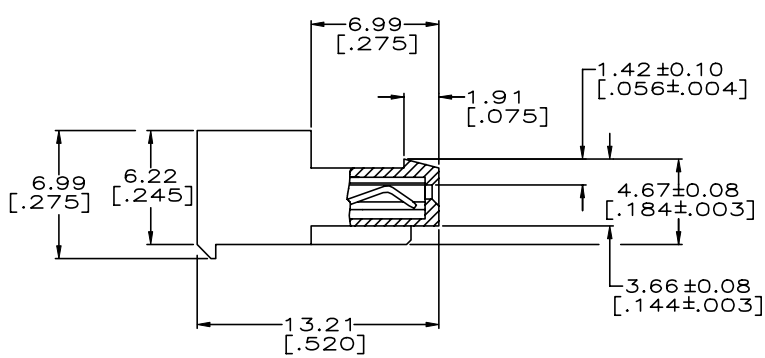
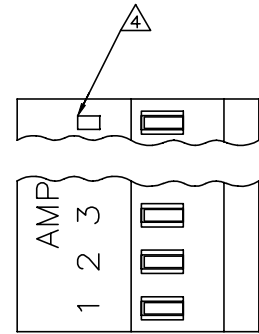


THIS DRAWING IS UNPUBLISHED. RELEASED FOR PUBLICATION  
 © COPYRIGHT - By - ALL RIGHTS RESERVED.

LOC		DIST		REVISIONS				
P	LYR	DESCRIPTION		DATE	DWN	APVD		
CM	00	P	REVISED PER ECR-20-000541	15MAY2020	PC	SW		

LEADFREE	DIM A	NO. OF CIRCUITS	PART NO.	
YES	71.12[2.800]	28	5-640440-8	
YES	68.58[2.700]	27	5-640440-7	
YES	66.04[2.600]	26	5-640440-6	
YES	63.50[2.500]	25	5-640440-5	
YES	60.96[2.400]	24	5-640440-4	
YES	58.42[2.300]	23	5-640440-3	
YES	55.88[2.200]	22	5-640440-2	
YES	53.34[2.100]	21	5-640440-1	
YES	50.80[2.000]	20	5-640440-0	
YES	48.26[1.900]	19	4-640440-9	
YES	45.72[1.800]	18	4-640440-8	
YES	43.18[1.700]	17	4-640440-7	
YES	40.64[1.600]	16	4-640440-6	
YES	38.10[1.500]	15	4-640440-5	
YES	35.56[1.400]	14	4-640440-4	
YES	33.02[1.300]	13	4-640440-3	
YES	30.48[1.200]	12	4-640440-2	
YES	27.94[1.100]	11	4-640440-1	
YES	25.40[1.000]	10	4-640440-0	
YES	22.86[.900]	9	3-640440-9	
YES	20.32[.800]	8	3-640440-8	
YES	17.78[.700]	7	3-640440-7	
YES	15.24[.600]	6	3-640440-6	
YES	12.70[.500]	5	3-640440-5	
YES	10.16[.400]	4	3-640440-4	
YES	7.62[.300]	3	3-640440-3	
YES	5.08[.200]	2	3-640440-2	
NO	71.12[2.800]	28	2-640440-8	SUP BY 5-640440-8
NO	68.58[2.700]	27	2-640440-7	SUP BY 5-640440-7
NO	66.04[2.600]	26	2-640440-6	SUP BY 5-640440-6
NO	63.50[2.500]	25	2-640440-5	SUP BY 5-640440-5
NO	60.96[2.400]	24	2-640440-4	SUP BY 5-640440-4
NO	58.42[2.300]	23	2-640440-3	SUP BY 5-640440-3
NO	55.88[2.200]	22	2-640440-2	SUP BY 5-640440-2
NO	53.34[2.100]	21	2-640440-1	SUP BY 5-640440-1
NO	50.80[2.000]	20	2-640440-0	SUP BY 5-640440-0
NO	48.26[1.900]	19	1-640440-9	SUP BY 4-640440-9
NO	45.72[1.800]	18	1-640440-8	SUP BY 4-640440-8
NO	43.18[1.700]	17	1-640440-7	SUP BY 4-640440-7
NO	40.64[1.600]	16	1-640440-6	SUP BY 4-640440-6
NO	38.10[1.500]	15	1-640440-5	SUP BY 4-640440-5
NO	35.56[1.400]	14	1-640440-4	SUP BY 4-640440-4
NO	33.02[1.300]	13	1-640440-3	SUP BY 4-640440-3
NO	30.48[1.200]	12	1-640440-2	SUP BY 4-640440-2
NO	27.94[1.100]	11	1-640440-1	SUP BY 4-640440-1
NO	25.40[1.000]	10	1-640440-0	SUP BY 4-640440-0
NO	22.86[.900]	9	640440-9	SUP BY 3-640440-9
NO	20.32[.800]	8	640440-8	SUP BY 3-640440-8
NO	17.78[.700]	7	640440-7	SUP BY 3-640440-7
NO	15.24[.600]	6	640440-6	SUP BY 3-640440-6
NO	12.70[.500]	5	640440-5	SUP BY 3-640440-5
NO	10.16[.400]	4	640440-4	SUP BY 3-640440-4
NO	7.62[.300]	3	640440-3	SUP BY 3-640440-3
NO	5.08[.200]	2	640440-2	SUP BY 3-640440-2



- 1 MATERIAL: CONNECTOR - NYLON UL94V-2 (RED).  
CONTACTS - 0.30[.012] THICK COPPER ALLOY  
BRIGHT TIN-LEAD .00203[.000080] MIN THICKNESS  
FOR 640440-2 THRU 2-640440-8.  
MATTE WHISKER MITIGATED TIN .00203[.000080] MIN THICKNESS OVER  
NICKEL UNDERPLATE FOR 3-640440-2 THRU 5-640440-8.
- 2 CONTACTS ACCEPT 22 AWG WIRE WITH 1.52[.060] MAX  
INSULATION DIAMETER.
- 3 CONTACTS MUST ACCEPT 0.64±0.03[.025±.001]  
POST AND REMAIN LOCKED IN POSITION.
- 4 IDENTIFICATION NUMBER FOR LAST CIRCUIT MAY  
NOT APPEAR ON ALL ASSEMBLIES.
- 5 DIMENSIONS IN BRACKETS ARE IN INCHES.
- 6 HOUSING FEATURES ARE: CLOSED END WITH LOCKING RAMP.
- 7 OBSOLETE PARTS

THIS DRAWING IS A CONTROLLED DOCUMENT.		DWN S. CARPENTER 09JUN2003		TE Connectivity	
DIMENSIONS: INCHES		CHK D. BOSSI 09JUN2003		APVD D. BOSSI 09JUN2003	
TOLERANCES UNLESS OTHERWISE SPECIFIED:		PRODUCT SPEC		NAME	
0 PLC ±		108-1050		MTA 100 CONNECTOR ASSEMBLY, 22 AWG, STANDARD	
1 PLC ±		APPLICATION SPEC		SIZE CAGE CODE DRAWING NO	
2 PLC ± 0.13 [0.003]		114-1019		A2 00779 C=640440	
3 PLC ±		RESTRICTED TO		WEIGHT	
4 PLC ±		CUSTOMER DRAWING		SCALE 5:1 SHEET 1 of 1 REV P	
ANGLES ±					
FINISH					