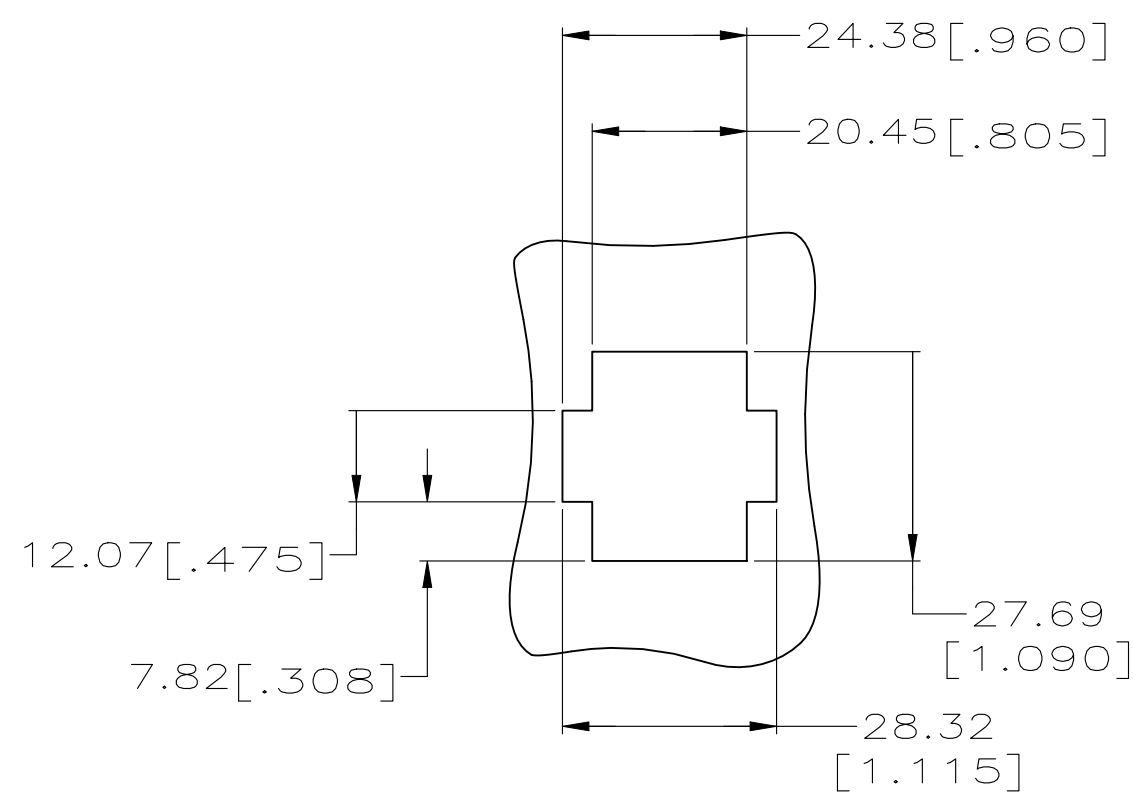
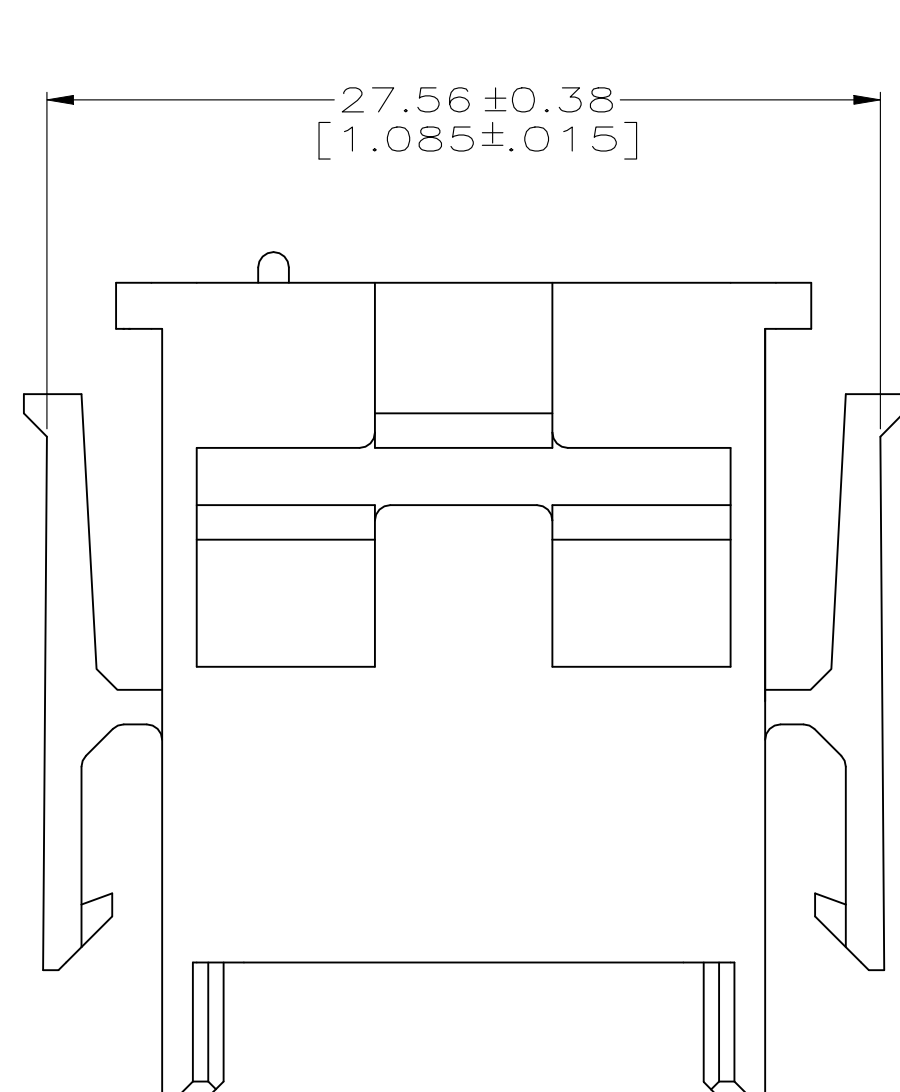
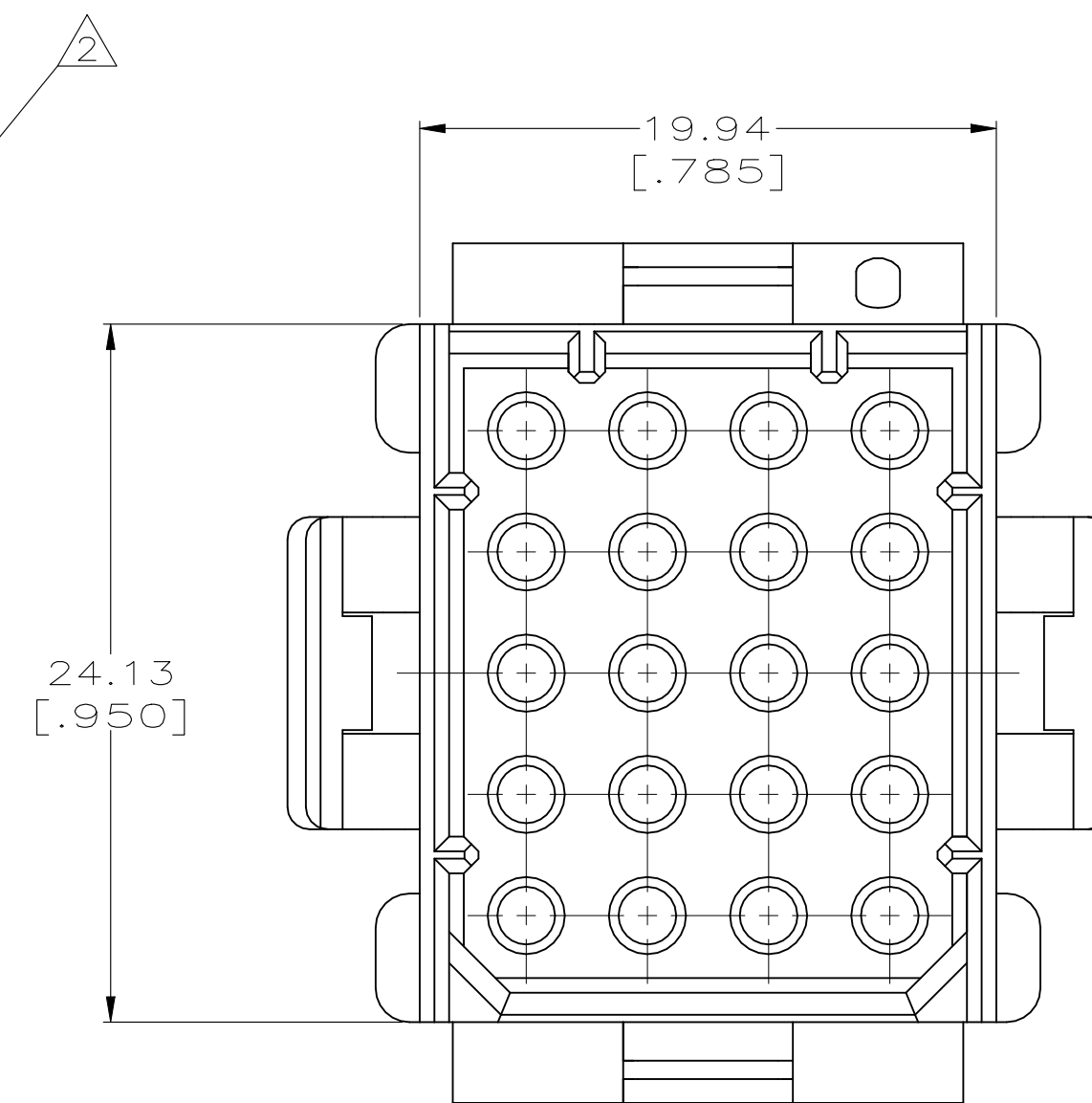
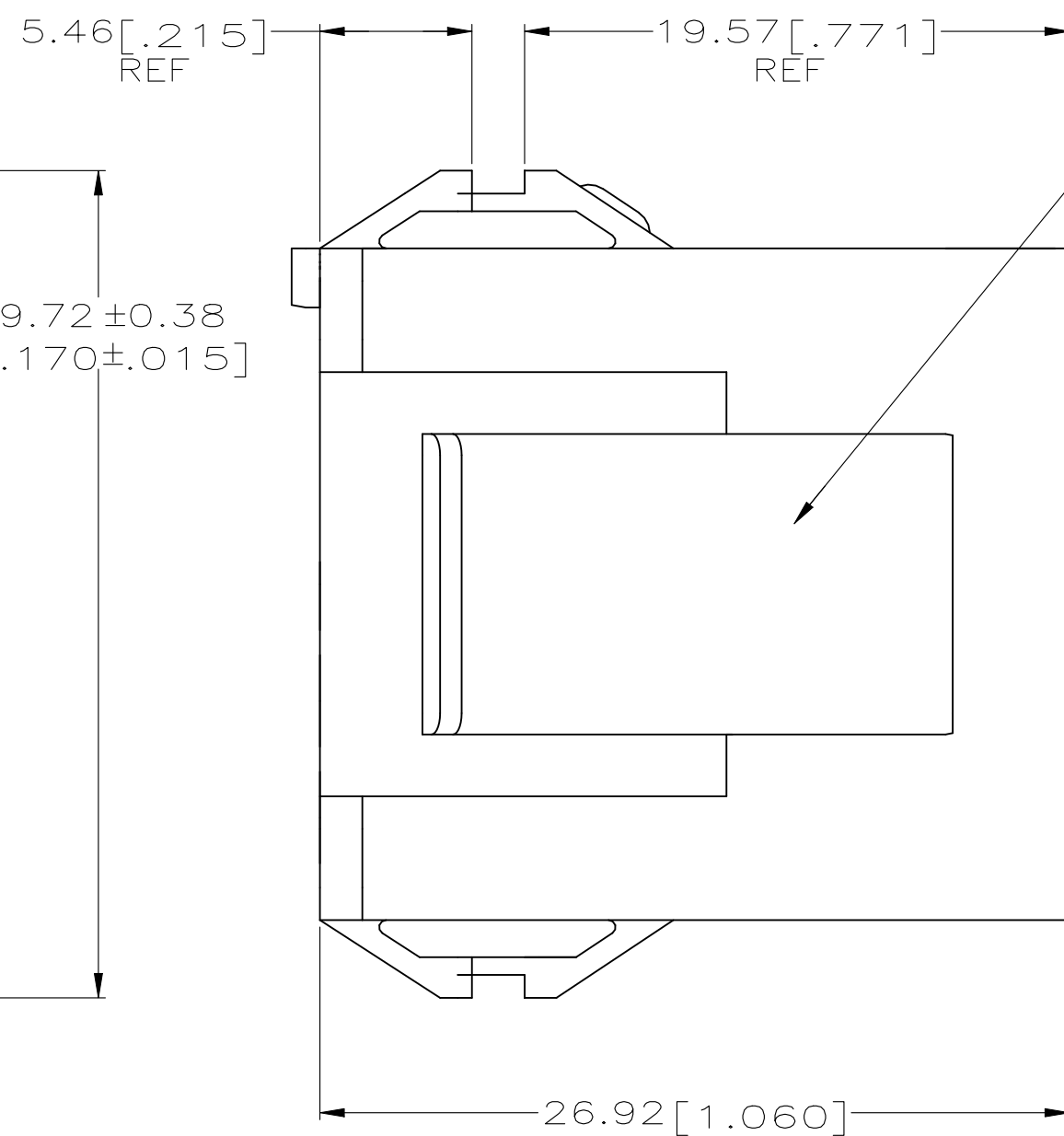
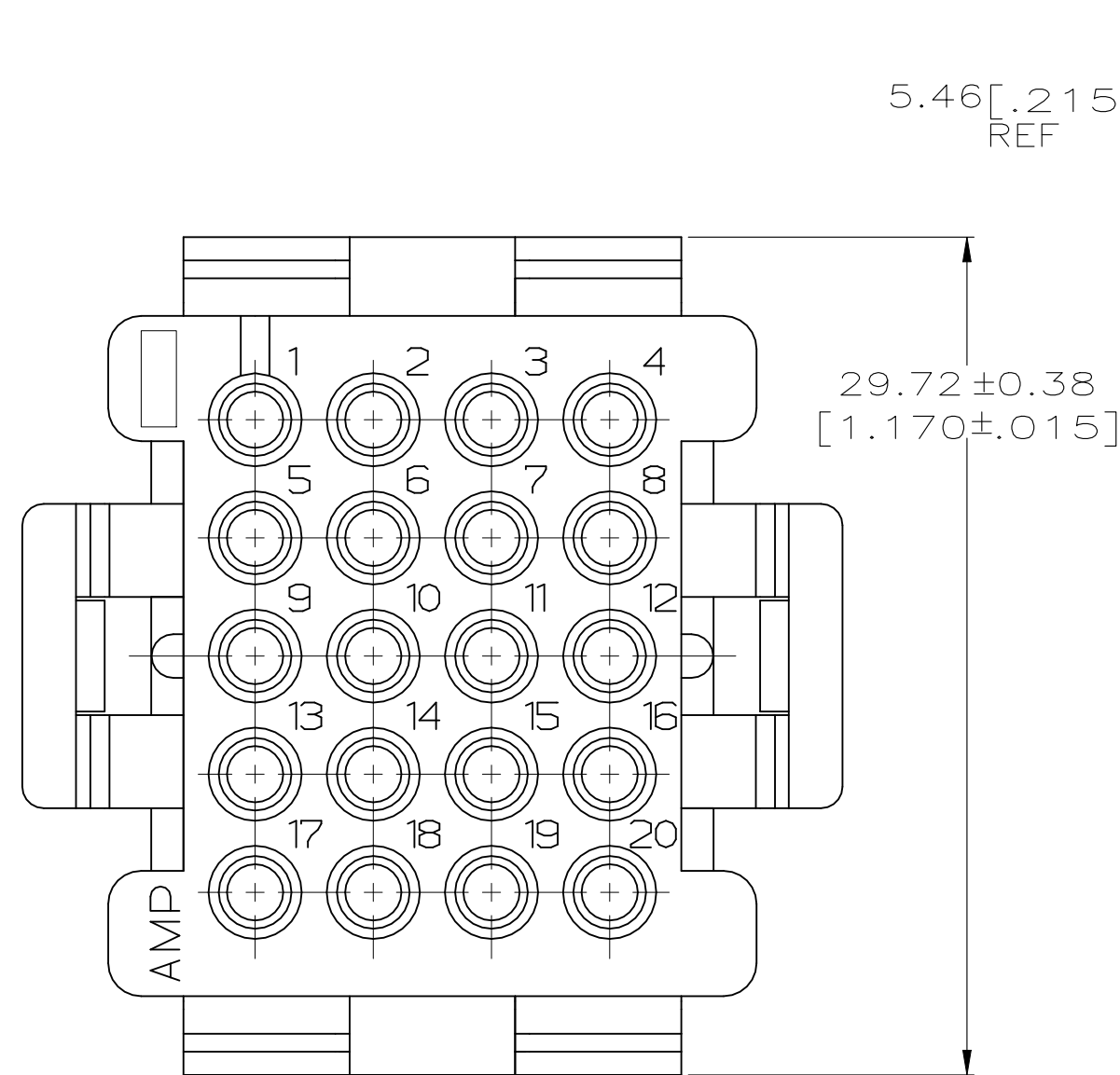


REVISIONS					
P	LTR	DESCRIPTION	DATE	DWN	APVD
E		ECO-21-006898	14DEC2021	RK	MZ

- MATES WITH HOUSING 640524.
- UL LOGO AND CSA LOGO TO APPEAR ON EITHER LATCH SURFACE PER AMP SPEC 202-20, I.D. NO. 1-18838-3 AND 1-18839-3. FROST BACKGROUND OPTIONAL.
- DIMENSIONS IN BRACKETS ARE IN INCHES.
- HOUSING MATERIAL: PA66, BLACK, UL 94 V-0 RATED



RECOMMENDED CUT OUT
FOR 1.73 [.068] MAX THICK PANEL
SCALE 1:1

1-640514-0
PART NUMBER

THIS DRAWING IS A CONTROLLED DOCUMENT.		DWN R. VESTAL 7-12-96				
DIMENSIONS: mm [INCHES]		CHK R. SWING 7-12-96				
TOLERANCES UNLESS OTHERWISE SPECIFIED:		APVD A. BEDDICK 7-12-96	NAME HOUSING, CAP MRII 20 POSITION			
0 PLC ± -		PRODUCT SPEC	SIZE	CAGE CODE	DRAWING NO	RESTRICTED TO
1 PLC ± -		APPLICATION SPEC	A2	00779	C-640514	-
2 PLC ± 0.13 [.005]		WEIGHT	SCALE 4:1		SHEET 1 OF 1	REV E
3 PLC ± -		MATERIAL	CUSTOMER DRAWING			
4 PLC ± -		FINISH				
ANGLES ± 0° 30'						
MATERIAL						
FINISH						