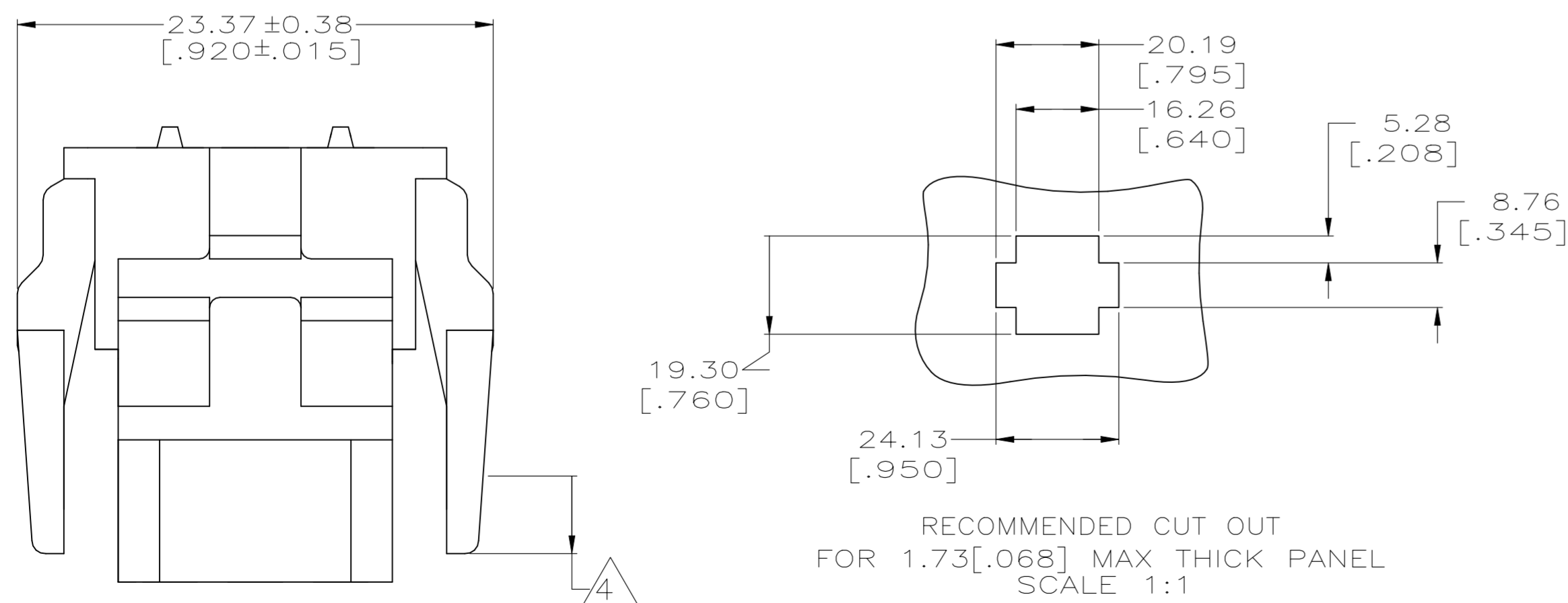
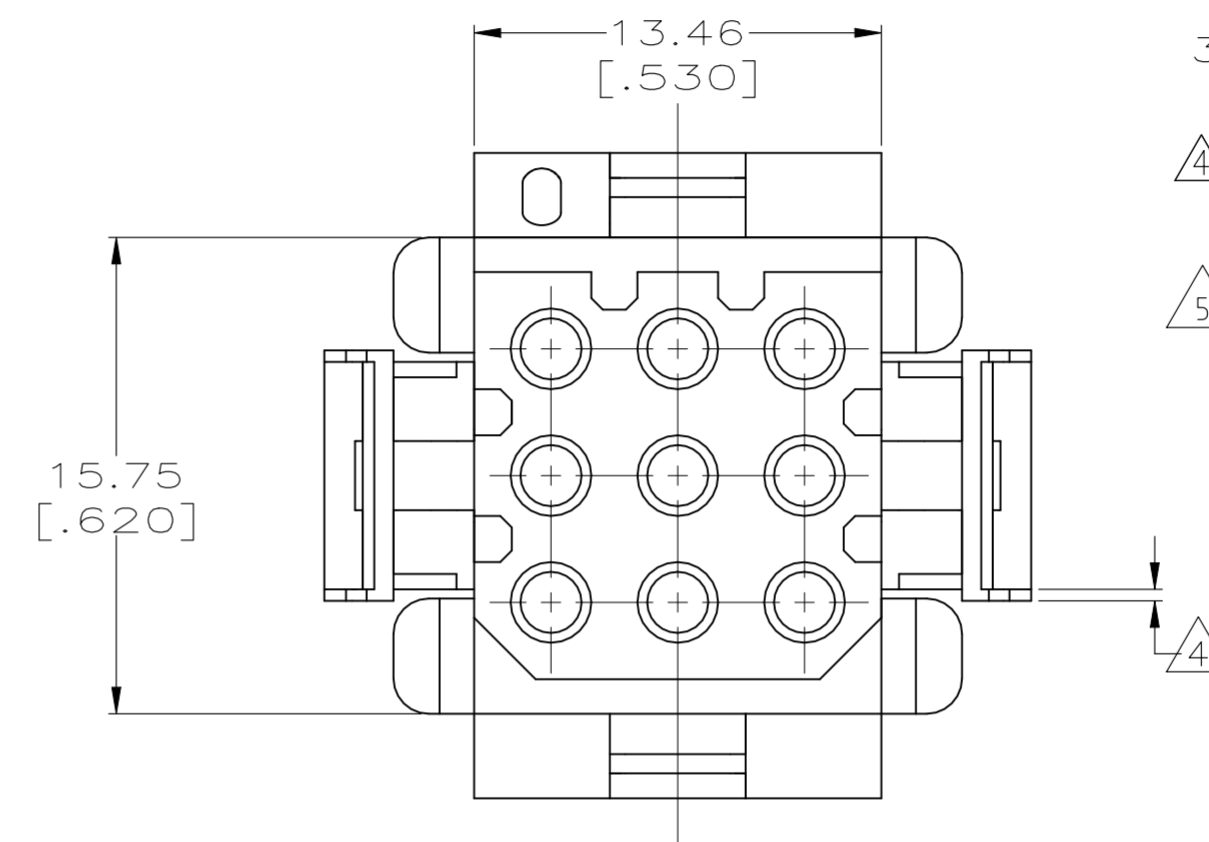
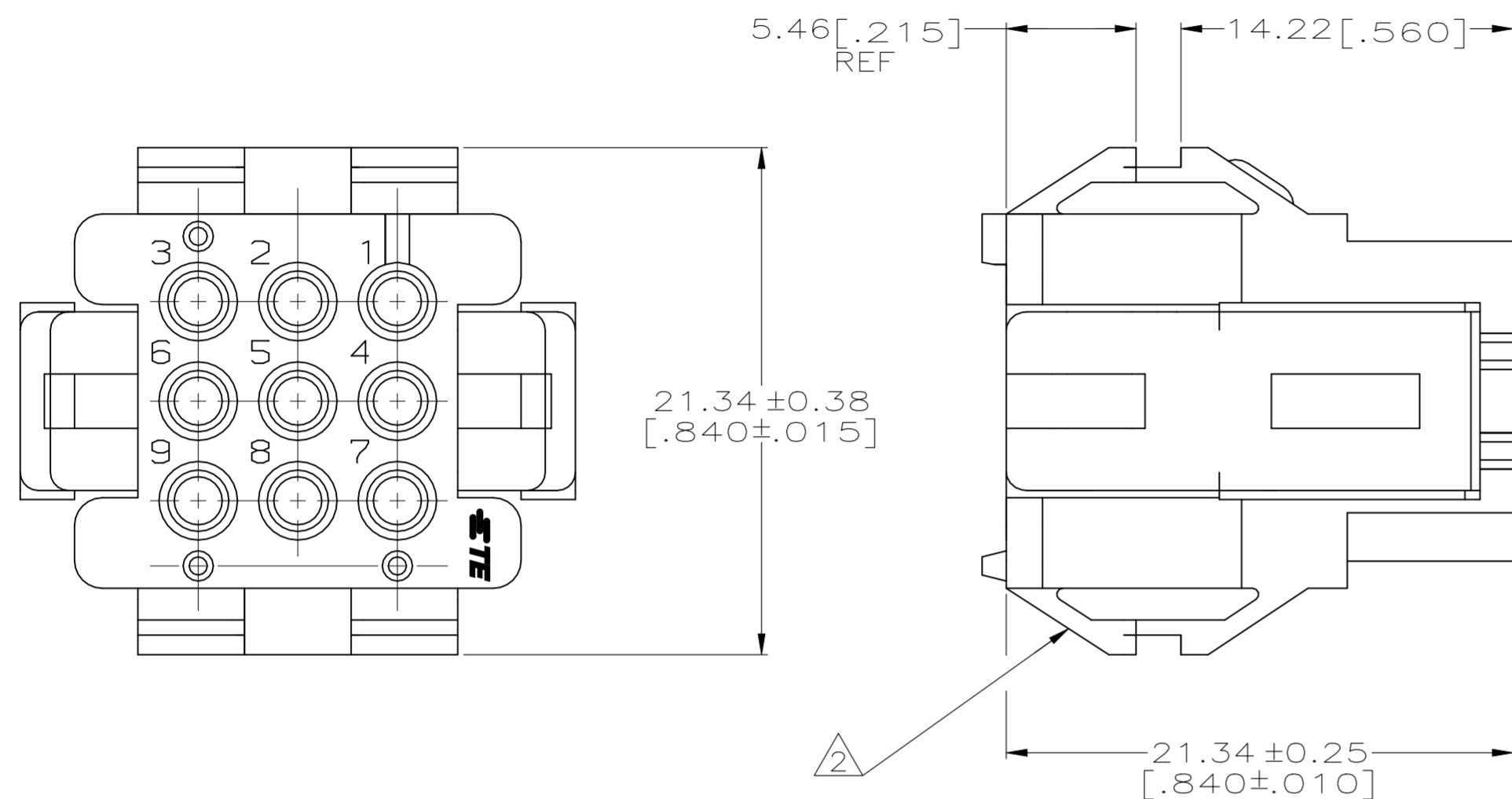


REVISIONS					
P	LTR	DESCRIPTION	DATE	DWN	APVD
G		ECO-21-006875	19OCT2021	RK	MZ

- MATES WITH HOUSING 640511.
- UL LOGO AND CSA LOGO TO APPEAR ON EITHER LATCH SURFACE PER AMP SPEC 202-20, I.D. NO. 1-18838-3 AND 1-18839-3. FROST BACKGROUND OPTIONAL.
- DIMENSIONS IN BRACKETS ARE IN INCHES.
- NON-FILL PERMITTED UP TO 3.8[.15] FROM EDGE OF LATCH ARM ON THE 0.38[.015] THICK FLANGE, 4 PLC.
- HOUSING MATERIAL: PA66, BLACK, UL 94 V-0 RATED



RECOMMENDED CUT OUT
FOR 1.73[.068] MAX THICK PANEL
SCALE 1:1

METRIC

1-640521-0
PART NUMBER

THIS DRAWING IS A CONTROLLED DOCUMENT.		DWN R. VESTAL 12-01-97	STE TE Connectivity	
DIMENSIONS: mm [INCHES]		CHK R. SWING 12-01-97		
TOLERANCES UNLESS OTHERWISE SPECIFIED:		APVD A. BEDDICK 12-01-97	NAME HOUSING, PLUG MRII 9 POSITION	
0 PLC ± -		PRODUCT SPEC	SIZE A2	CAGE CODE 00779
1 PLC ± -		APPLICATION SPEC	DRAWING NO C-640521	RESTRICTED TO
2 PLC ± 0.13[.005]		WEIGHT	SCALE 4:1	SHEET 1 of 1
3 PLC ± -		CUSTOMER DRAWING	REV G	
4 PLC ± -				
ANGLES ± 0° 30'				
MATERIAL				
FINISH				