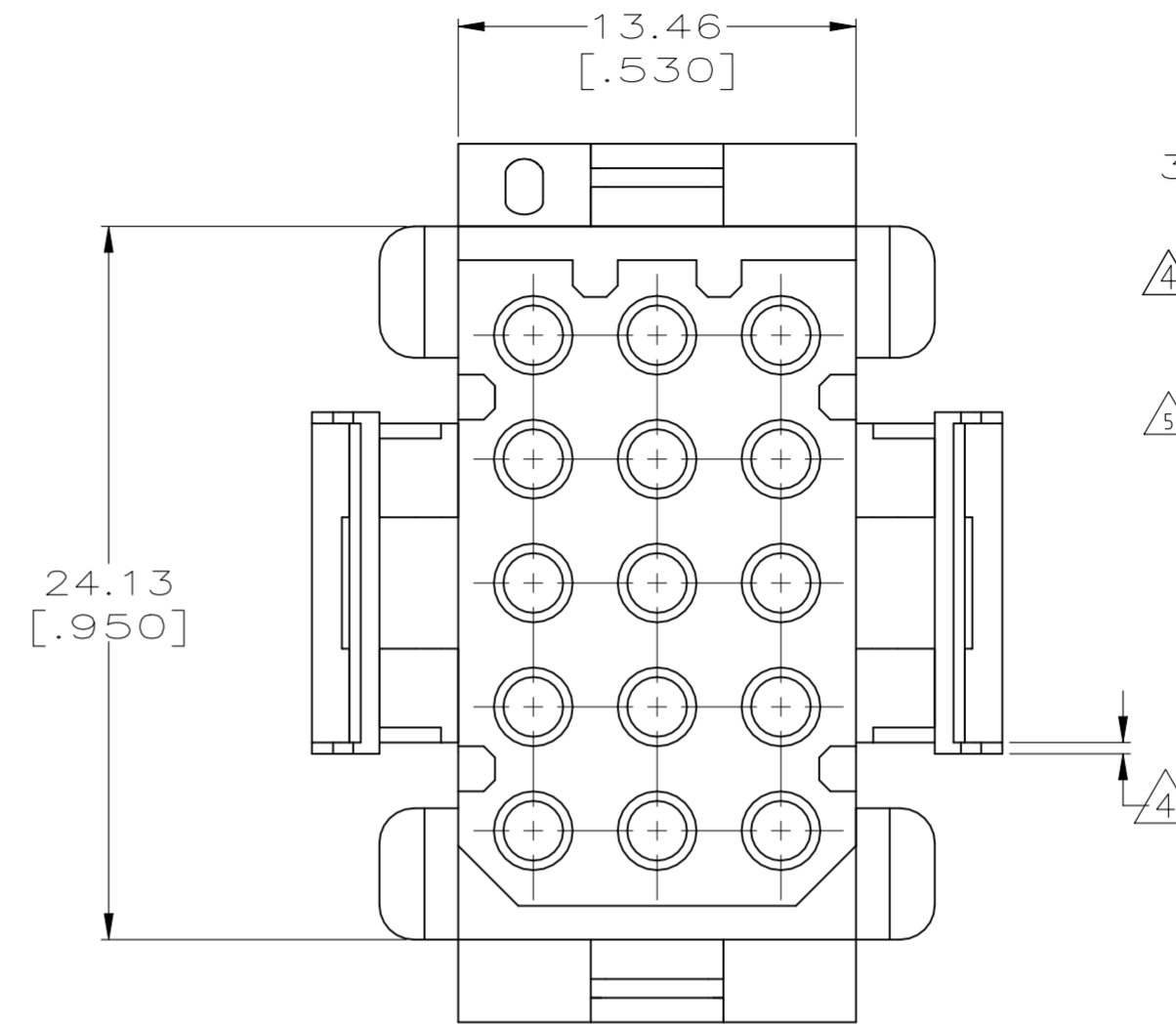
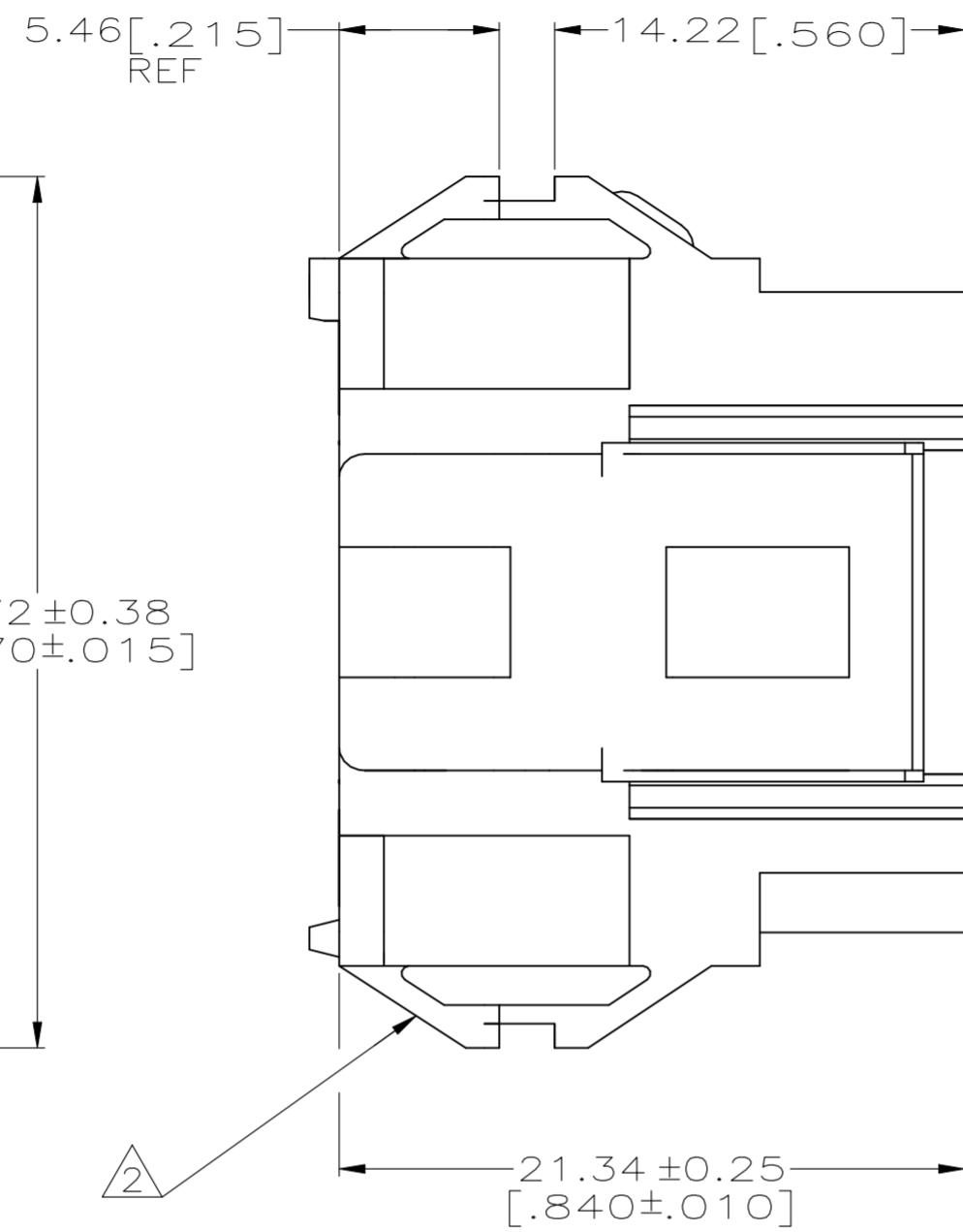
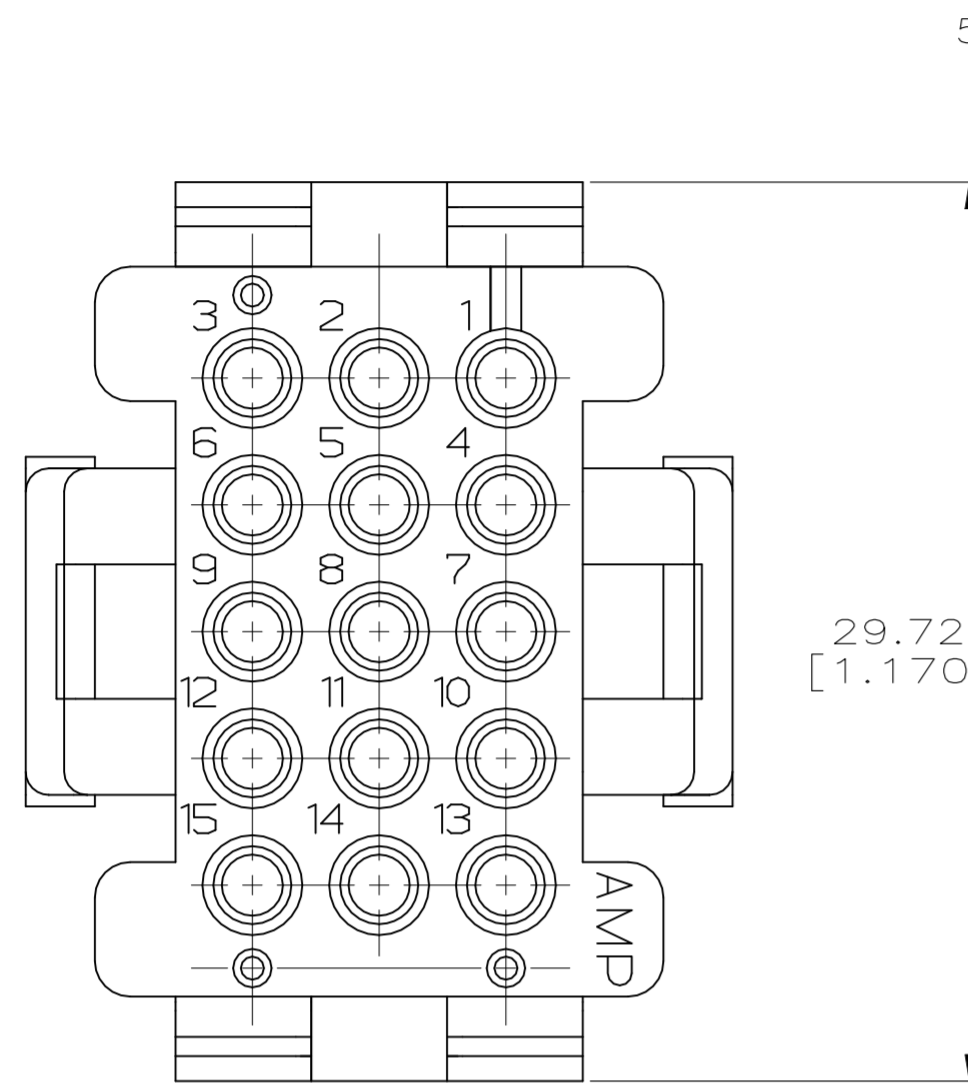
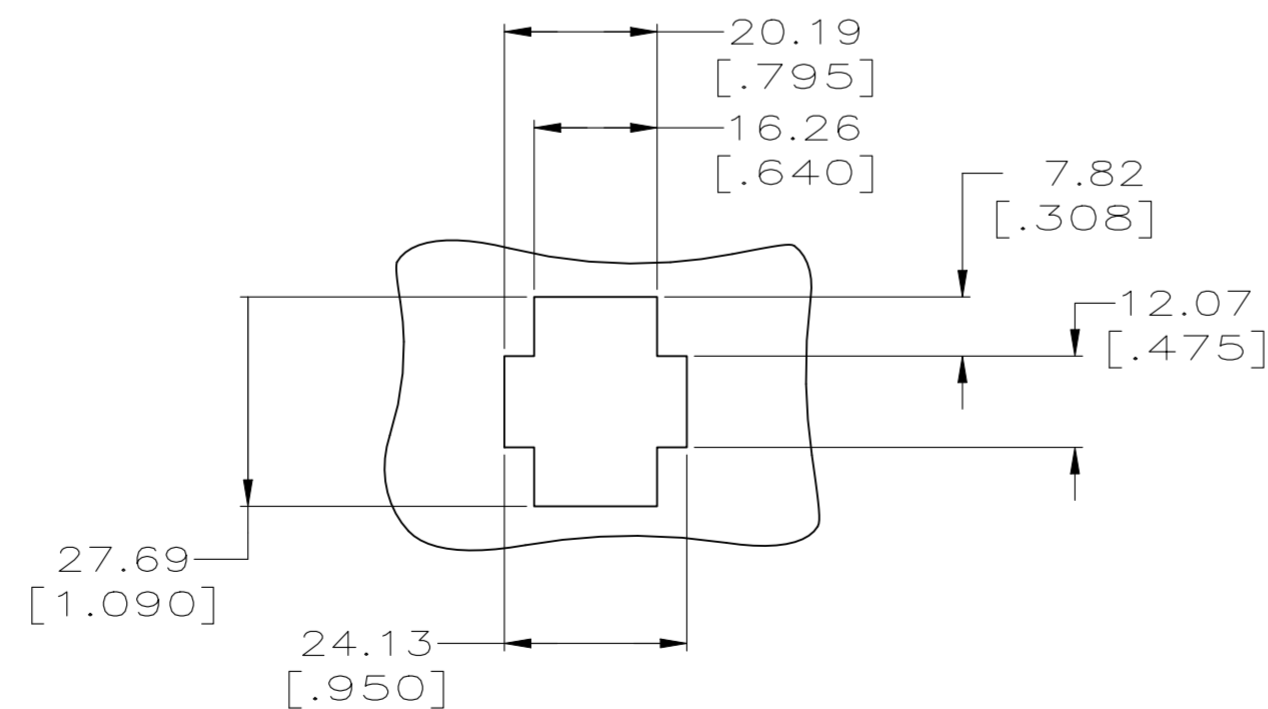
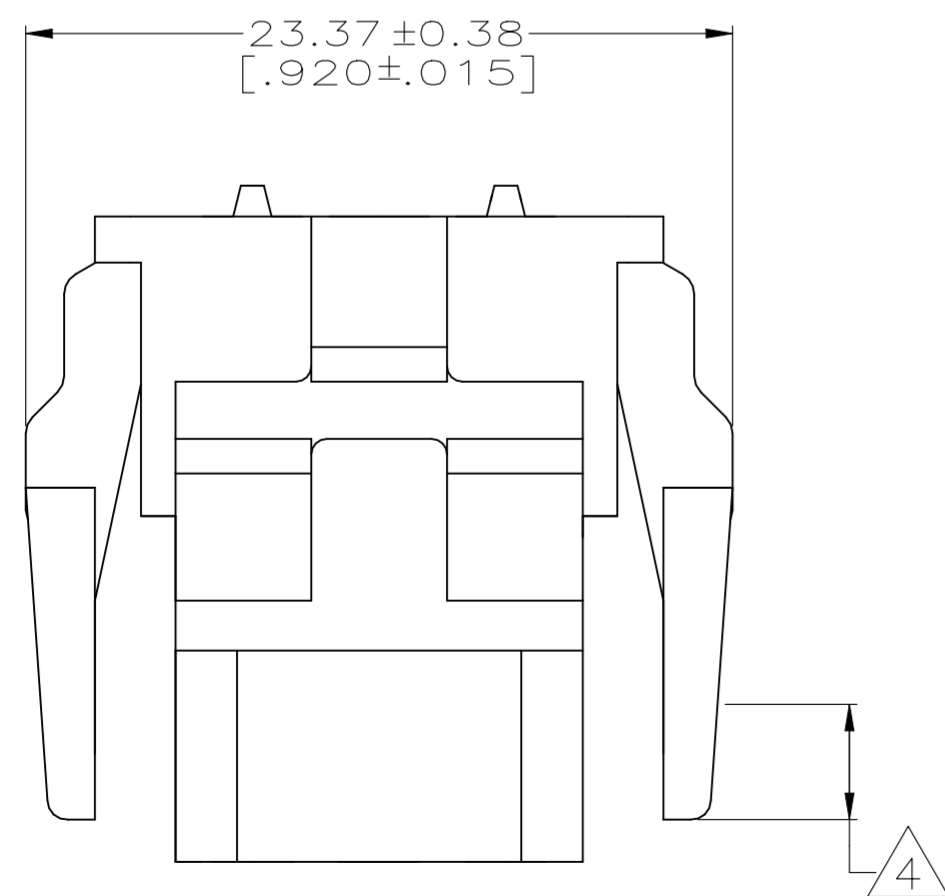


REVISIONS					
P	LTR	DESCRIPTION	DATE	DWN	APVD
F		ECO-21-006877	14DEC2021	RK	MZ



1. MATES WITH HOUSING 640513.
2. UL LOGO AND CSA LOGO TO APPEAR ON EITHER LATCH SURFACE PER AMP SPEC 202-20, I.D. NO. 1-18838-3 AND 1-18839-3. FROST BACKGROUND OPTIONAL.
3. DIMENSIONS IN BRACKETS ARE IN INCHES.
4. NON-FILL PERMITTED UP TO 3.8[.15] FROM EDGE OF LATCH ARM ON THE 0.38[.015] THICK FLANGE, 4 PLC.
5. HOUSING MATERIAL: PA66, BLACK, UL 94 V-0 RATED



RECOMMENDED CUT OUT
FOR 1.73[.068] MAX THICK PANEL
SCALE 1:1

METRIC

1-640523-0
PART NUMBER

THIS DRAWING IS A CONTROLLED DOCUMENT.		DWN R. VESTAL 12-01-97			
DIMENSIONS: mm [INCHES]		CHK R. SWING 12-01-97			
TOLERANCES UNLESS OTHERWISE SPECIFIED:		APVD A. BEDDICK 12-01-97	NAME HOUSING, PLUG MRII 15 POSITION		
0 PLC ± -		PRODUCT SPEC	SIZE	CAGE CODE	DRAWING NO
1 PLC ± -		APPLICATION SPEC	A2	00779	C-640523
2 PLC ± 0.13[.005]		WEIGHT	RESTRICTED TO		
3 PLC ± -		CUSTOMER DRAWING	-		
4 PLC ± -		SCALE	4:1	SHEET	1 OF 1
ANGLES ± 0° 30'		REV	F		
FINISH					