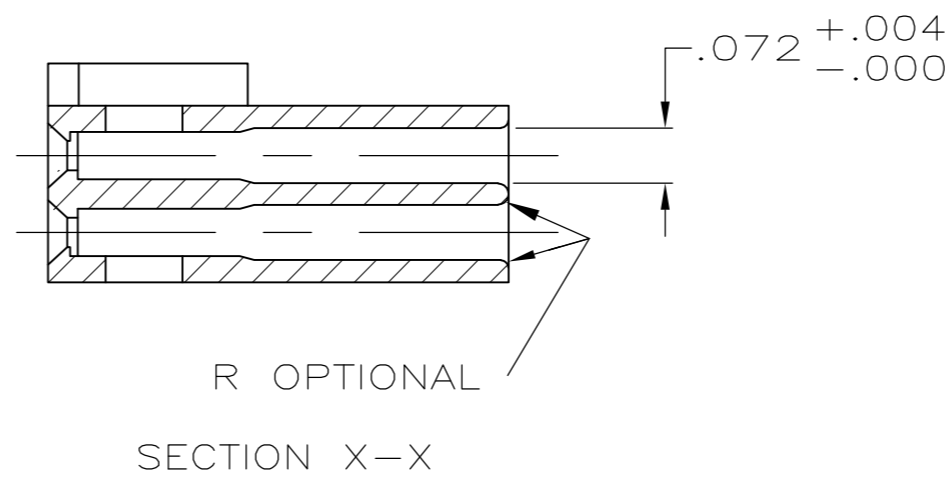
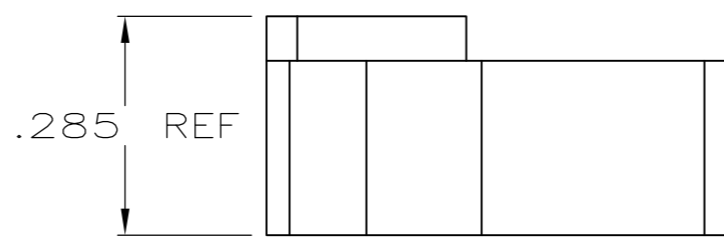
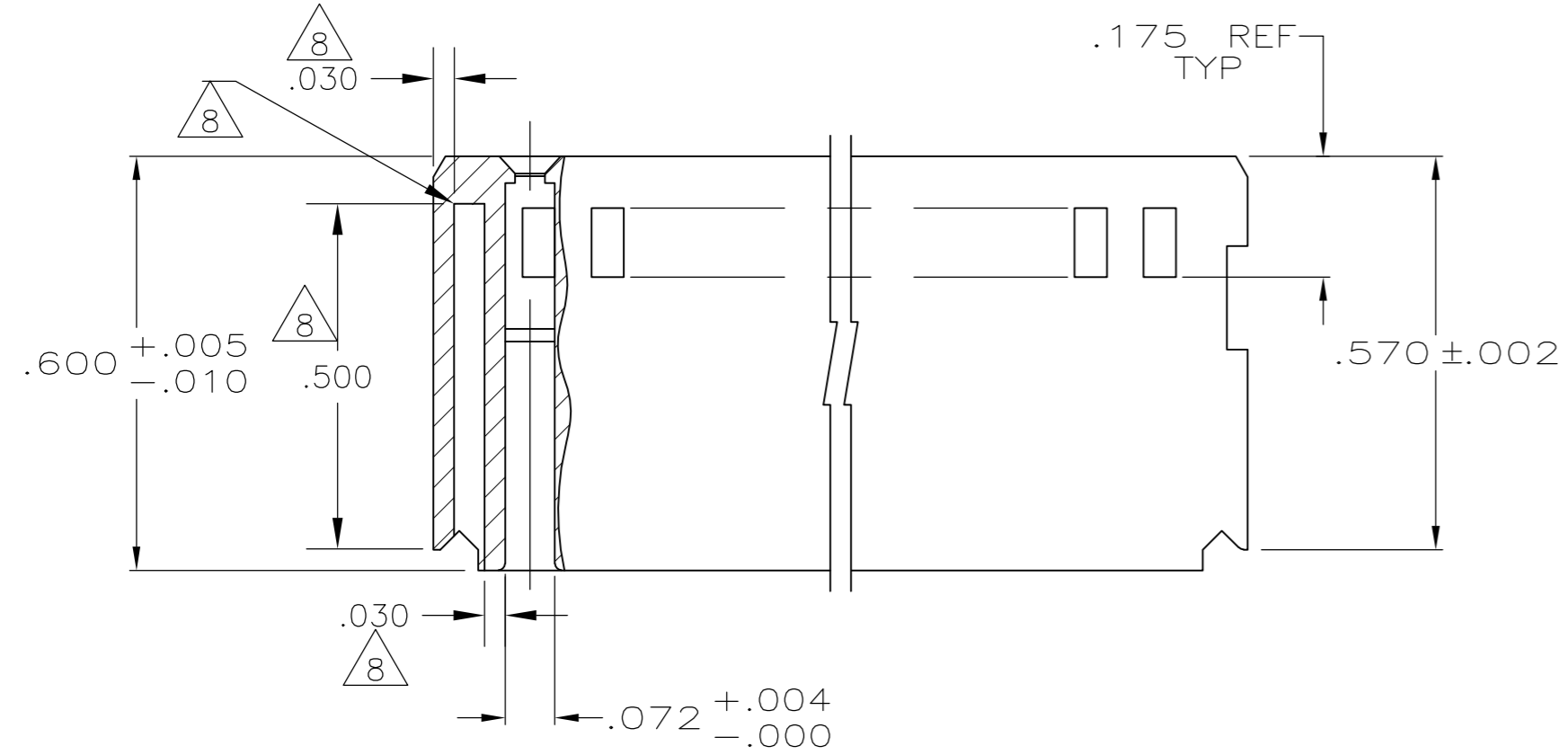
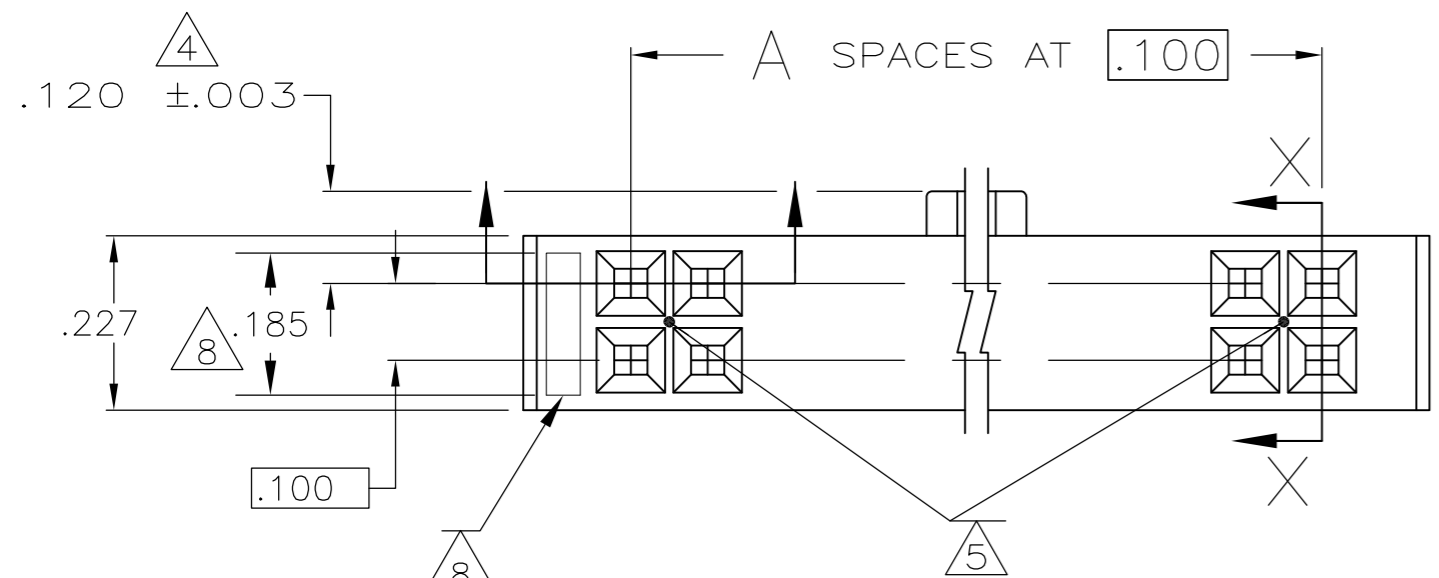
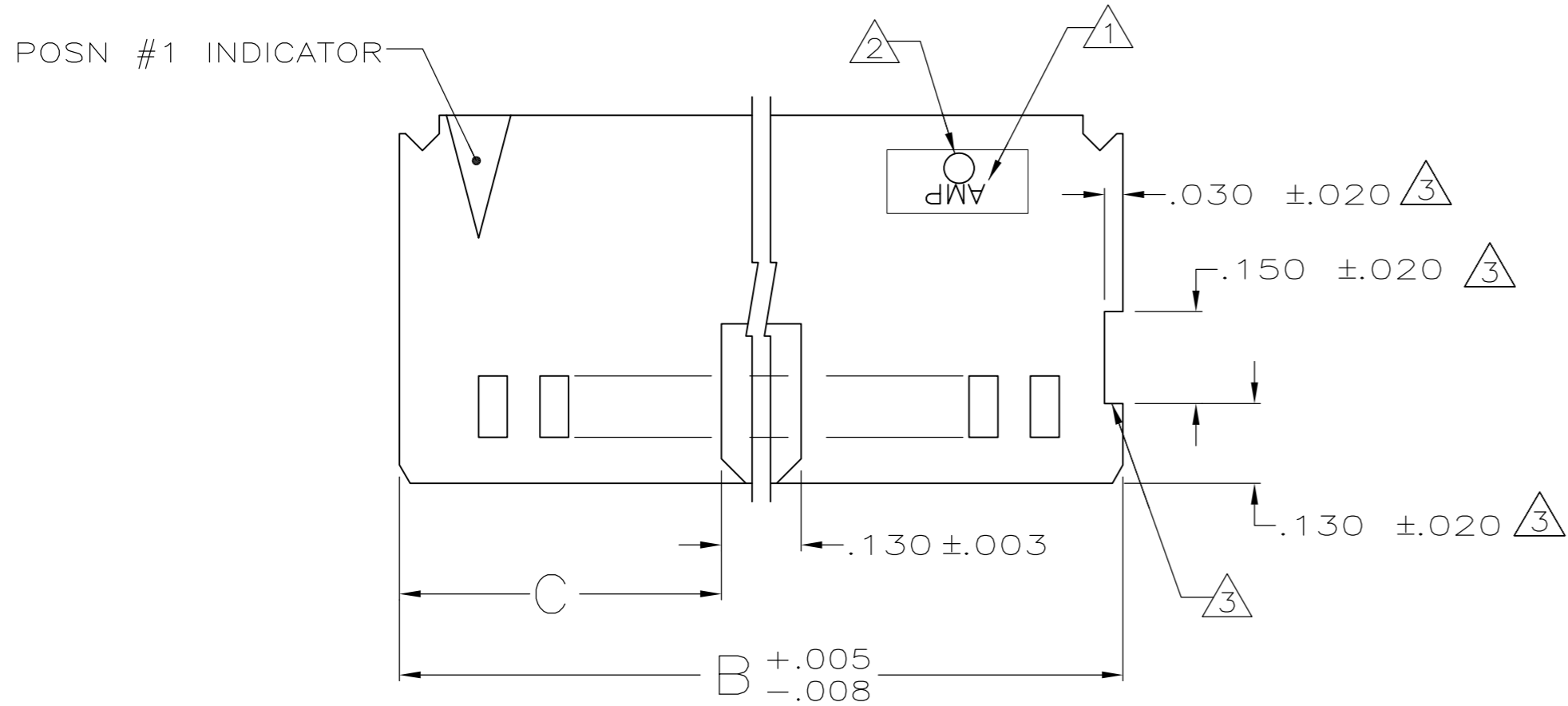


THIS DRAWING IS UNPUBLISHED. RELEASED FOR PUBLICATION
 © COPYRIGHT - By - ALL RIGHTS RESERVED.

LOC	DIST	REVISIONS			
P	LTR	DESCRIPTION	DATE	DWN	APVD
AD	39				
	S2	REVISED PER ECO-11-010839	25MAY11	RK	HMR



- ① AMP TRADEMARK (MOLDED IN) .062±015 HIGH CHARACTERS LOCATED APPROX AS SHOWN
- ② MOLD CAVITY IDENT (MOLDED IN) .046±015 HIGH CHARACTERS LOCATED APPROX AS SHOWN
- ③ RECESSED AREA AROUND MOLD GATE IS OPTIONAL. THIS FEATURE IS ALLOWABLE ON EITHER SIDE OF HOUSING OR MAY NOT BE PRESENT AT ALL.
- ④ COORDINATE DIMENSION APPLIES FROM CENTER OF FIRST ACTUAL FEATURE
- ⑤ RECESSED AREA AROUND GATE PERMISSIBLE. THIS FEATURE IS ALONG CENTERLINE OF MATING FACE.
- 6. WHEN MATING WITH AMP-LATCH UNIVERSAL HEADERS, P/N 1825851-1 MUST BE USED. PURCHASE SEPARATELY WITH HEADER- 2 REQUIRED.
- ⑦ OBSOLETE PARTS: OBSOLETE CIS STREAMLINING PER D.RENAUD/D.SINISI
- ⑧ VOID CORING IS OPTIONAL, AT MOLDER'S DISCRETION.

⑦ OBSOLETE	C	B	A	NO. OF POSN	PART NO.
	.575	1.280	10	22	4-102387-5
	.225	.580	3	8	1-102387-4
	1.125	2.380	21	44	1-102387-3
	1.625	3.380	31	64	1-102387-2
	1.525	3.180	29	60	1-102387-1
	1.275	2.680	24	50	1-102387-0
	1.025	2.180	19	40	102387-9
	.875	1.880	16	34	102387-8
	.775	1.680	14	30	102387-7
	.675	1.480	12	26	102387-6
	.625	1.380	11	24	102387-5
	.525	1.180	9	20	102387-4
	.425	.980	7	16	102387-3
	.375	.880	6	14	102387-2
	.275	.680	4	10	102387-1

THIS DRAWING IS A CONTROLLED DOCUMENT.

DWN B MOYER 5-17-89
 CHK K. HELM 6-13-89

DIMENSIONS: INCHES
 TOLERANCES UNLESS OTHERWISE SPECIFIED:
 0 PLC ± -
 1 PLC ± -
 2 PLC ± -
 3 PLC ± .005
 4 PLC ± -
 ANGLES ± -
 MATERIAL FLAME RETARDANT THERMOPLASTIC COLOR: BLACK PER ASTM D4066
 FINISH -

APVD -
 PRODUCT SPEC -
 APPLICATION SPEC -
 WEIGHT -

TE Connectivity
 HOUSING, CRIMP SNAP-IN, SHORT ENTRY, MOD IV

SIZE A2 CAGE CODE 00779 DRAWING NO. C=102387 RESTRICTED TO -
 CUSTOMER DRAWING SCALE 4:1 SHEET 1 OF 1 REV S2