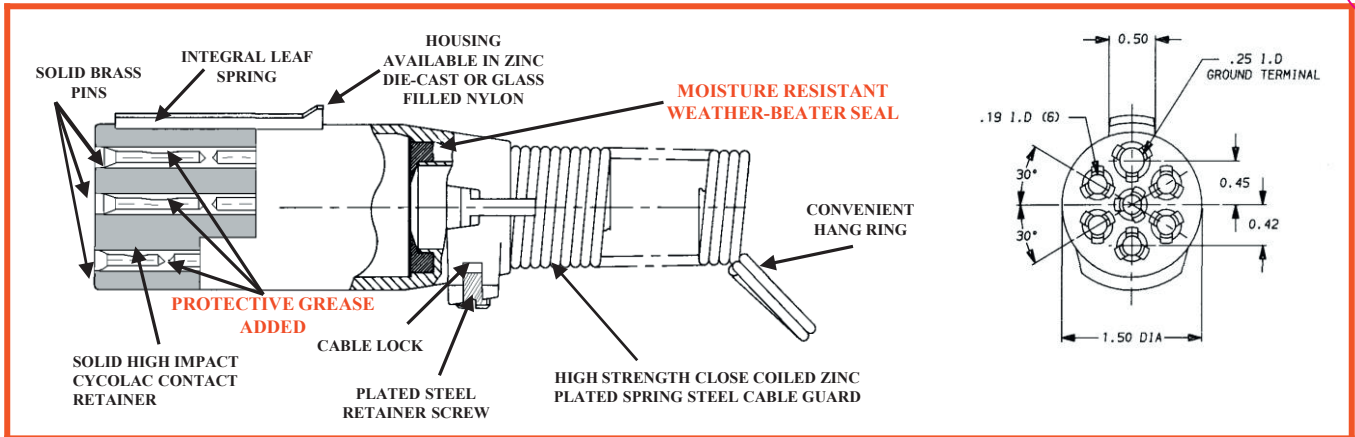


# 7-POLE PLUGS



## ZINC DIE-CAST

## GLASS FILLED NYLON

### Insertion and Pull-Out Requirements

- Meets and exceeds all standards of **SAE J560**.
- Floating pins for ease of alignment and maximum contact.
- Will accept the widest range of wire gauges, from #16 wires to #8 ground wire.
- Tapered design fits comfortably and conveniently for easy hand-position pull. Jumbo finger pull grips and two hang-up holes.
- High-impact cycloc interior with extended lip for easy removal and replacement.
- Solid brass terminal screws.
- 40 amps continuous duty @ 6-28 VDC.
- WeatherBeater seal accommodates .450 minimum wire diameter.

**11-902**  
Weather-Beater Plug with Cable Guard



**11-702**  
Standard 7-Pole Plug with Cable Guard

**11-710**  
Standard 7-Pole Plug with Cable Guard



**11-910**  
Weather-Beater Plug with Cable Guard

**11-900**  
Weather-Beater Plug

**11-700**  
Standard 7-Pole Plug



**11-704**  
Standard 7-Pole Plug



**11-904**  
Weather-Beater Plug

NOTE: Pollak's® Terminal Pins are machined from solid brass bar stock unlike some competitors that provide unplated terminal pins stamped from sheet metal. Brass terminals ensure minimum voltage drop and dielectric grease protects against corrosion and resistance.

NOTE: Pollak's® 7-Pole connectors are manufactured from quality materials and will help reduce maintenance cost and down-time associated with electrical failures.

## ACCESSORIES

**11-762**  
Rubber Boot  
Seals against dust and moisture, 2.5" long. For .460-.720 dia. cable, fits 11-852, 11-700, 11-900, 11-704, 11-904.



**11-763**  
Cable Guard  
Plated steel, 3.56" long, fits 11-700, 11-704, 11-900, 11-904, and 11-852



**11-764**  
Plug interior for 11-700, 11-702, 11-704, 11-710, 11-900, 11-902, 11-904, 11-910.  
Supplied with mounting screw.

