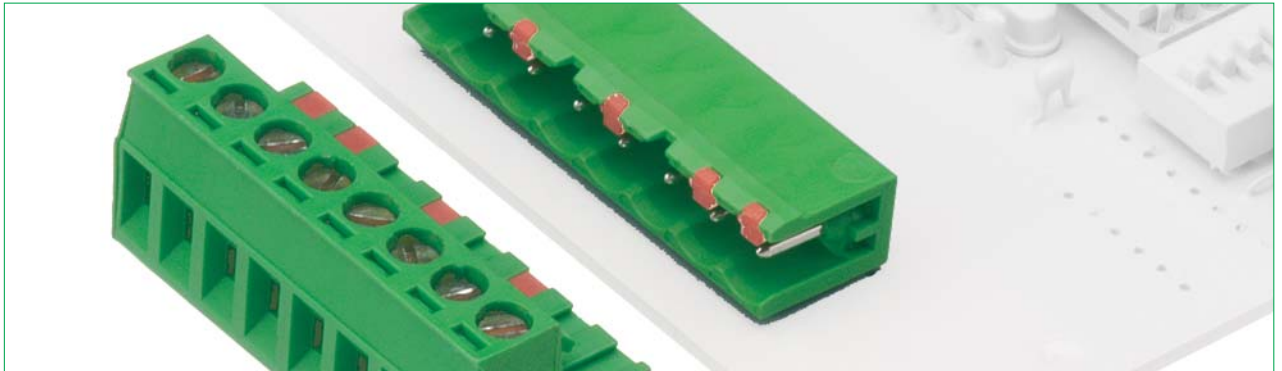


Coding System K

for coding of our printed circuit board plug-in connector family.



The **CONTA-CON** coding system K is intended to enable the user to encode our P.C. board plug-in connectors **PKB 950/960/1100/1110/1550/1551/ 1552, PBT 1200** and **PZB 3950** without loss of poles and incorrect plugging.

The coding elements [profiles] are fastened to the star-shaped mounting plates. Mechanical coding is effected by positioning the individual coding profiles in the patchboard.

These coding profiles are pushed into the respective guide grooves in the enclosure of the connector and header and pinched off to separate them from the mounting plate.

Types 1550, 1551, 1552, 1570 and 1590 however are an exception because, in their case, coding is effected by placing the coding profiles into the groove of the plug header.

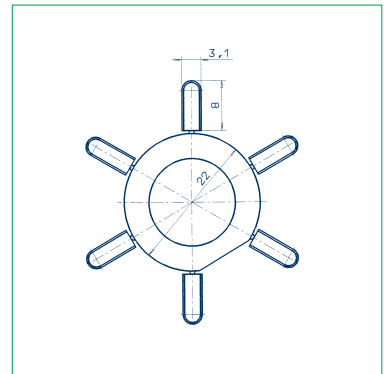
Connectors have "lugs" at their enclosures which permit easy removal and individual coding.

Coding system K is designed for coding of P.C. board plug-in connectors without loss of pole.

The coding matrix on the next page is intended to illustrate the respective combinations possibilities.



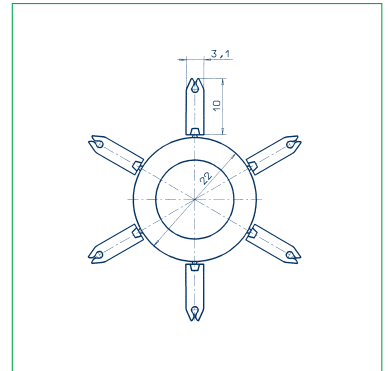
Coding K1
for coding of connectors



Cat.-No. 12002.9
Qty. p. pck. 100 stars (600 tabs)



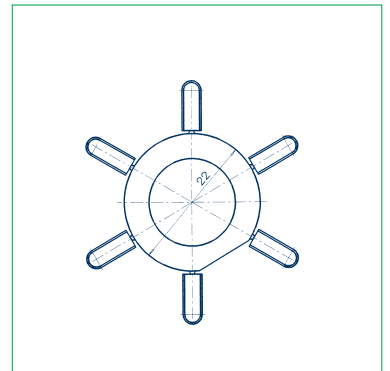
Coding K2
for coding of headers



Cat.-No. 12003.9
Qty. p. pck. 100 stars (600 tabs)



Coding K3
for coding of headers type
STL 1550, 1570, 1590



Cat.-No. 12004.9
Qty. p. pck. 100 stars (600 tabs)