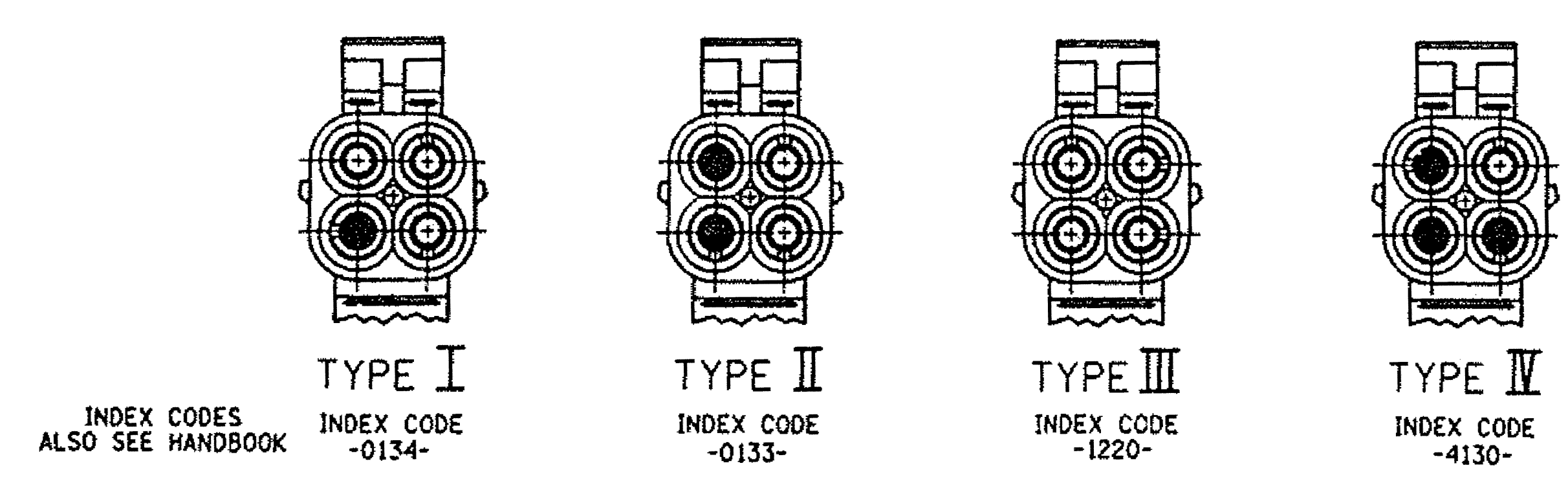
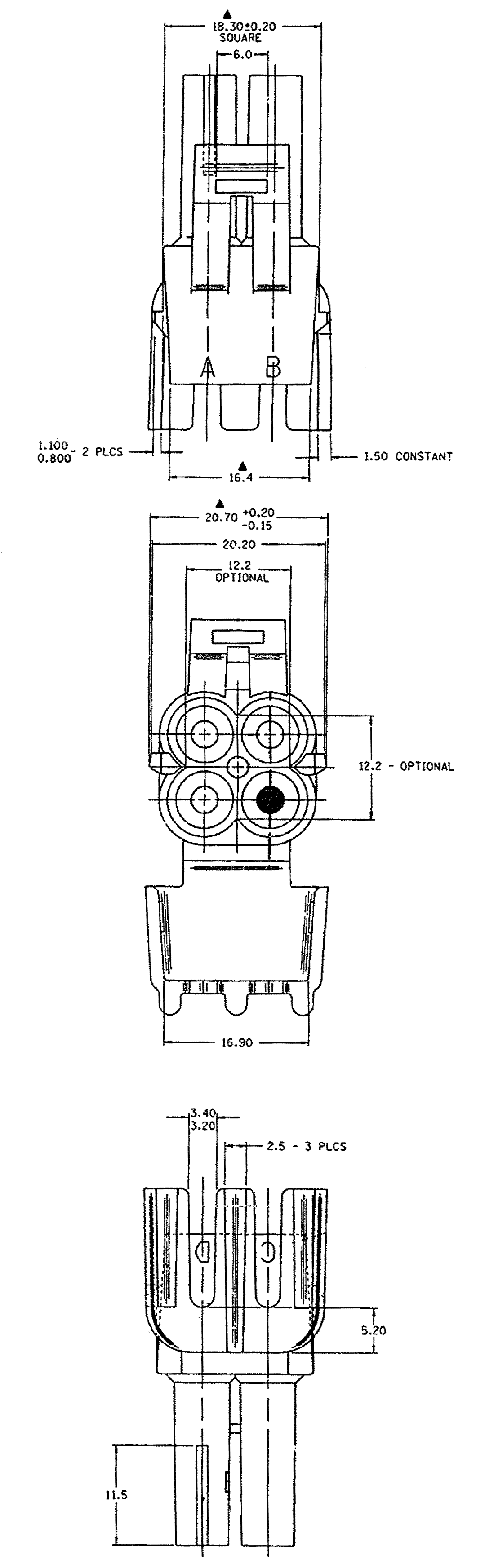
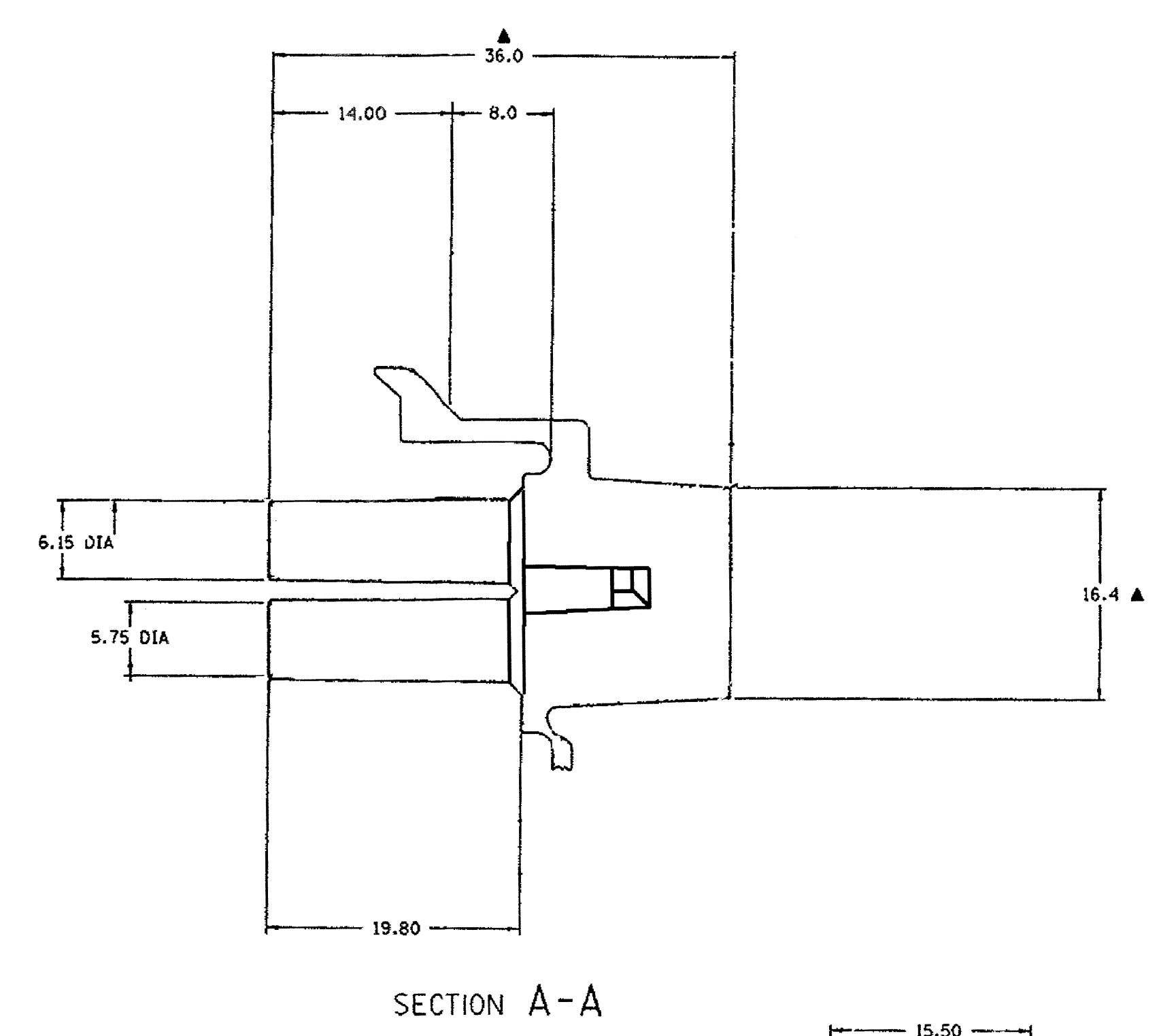
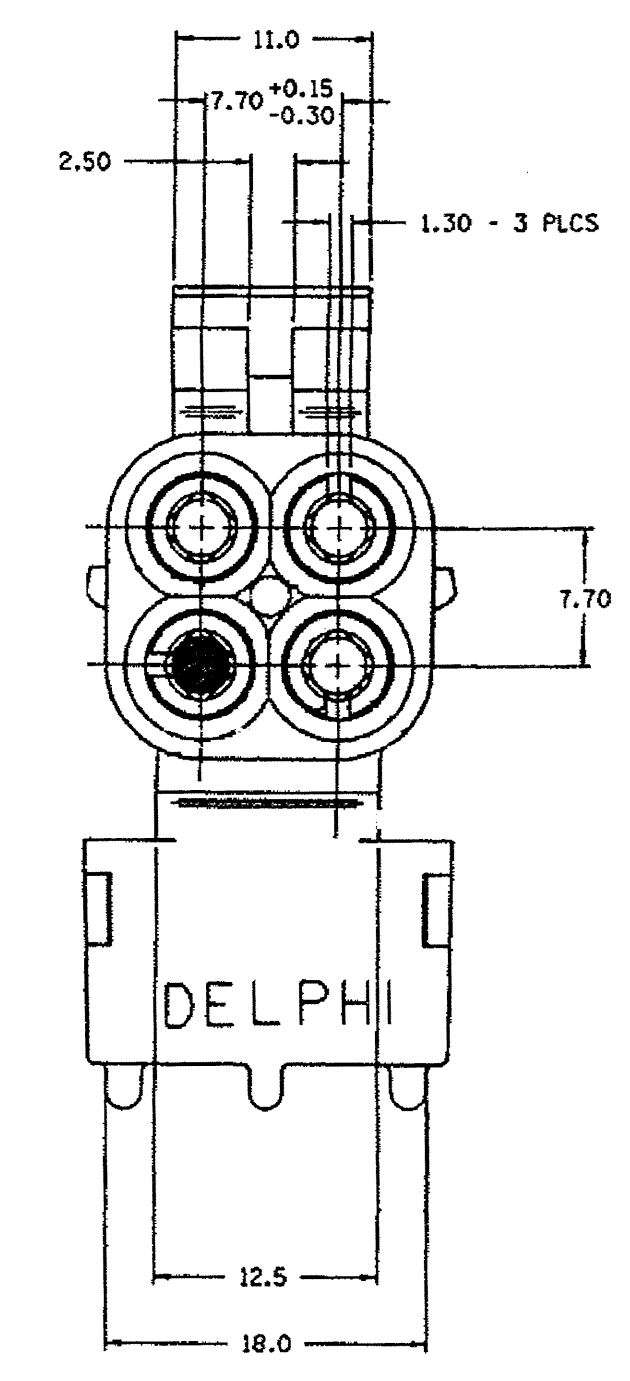


DWG STATUS				ZONE	REVISION HISTORY		AUTH	DR	APVD	APD	
DATE	STG	REV	N/P	CHG							
11FE02	R	04	-	-		CREATED PD		219873	ESF	ESF	RC
11AP02	R	05	-	-		ALL PARTS - UPDATED PDM ATTRIBUTES		222074	ESF	ESF	RC
11JA05	R	06	-	-		1210341B, 1201578B - CHGD TYPE III TO TYPE III		263204	MJM	MJM	ET



- NOTES
- UNLESS OTHERWISE SPECIFIED AND/OR INDICATED: DIMENSIONS ARE TO FACE OF VIEW SHOWN.
  - MATERIAL RECYCLING CODE PER SAE J1344. (2,3)X(0.1) RAISED CHARACTERS AS SHOWN TO BE LOCATED ON ANY EXTERIOR SURFACE. OPTIONAL CONSTRUCTION TO BE "PED" OR NO LOGO.
  - THIS PART IS CONTROLLED FOR AUTOMATIC FEEDING AS DENOTED ON DRAWING WITH ▲.
  - (2,3)X(0.1) RAISED DELPHI CORPORATE BRAND TO BE LOCATED ON ANY EXTERIOR SURFACE, PREFERABLY VISIBLE AT FINAL ASSEMBLY. OPTIONAL CONSTRUCTION TO BE "PED" OR NO LOGO.
  - USE 12015323 CABLE SEAL OR EQUIVALENT.
  - INTERNAL CAVITY DIMENSIONS DO NOT HAVE TO BE INSPECTED IF THE CAVITY IS FLASHED OVER.
  - USE FEMALE TERMINAL 12089188 OR EQUIVALENT FOR "IN LINE" APPLICATIONS.  
USE MALE TERMINAL 12089040 OR EQUIVALENT FOR "PANEL MOUNT" APPLICATIONS.

PART NO	REV	N/P	STATUS	MATERIAL SPEC AND COLOR	STANDARD DESCRIPTION	APPLICATION	REFERENCE TERMINAL / GENDER	TYPE	NUMBER OF CAVITIES	A+0.3 -0.15	B	MATING PART	ASM PART NUMBER
12103418	09	AA	-	M3596003 MD GRA	CONN 4 W/P TWR	DEVICE	12089040 / MALE	III	4	5.50	3.150 +/-	12015027	12013419
12020221	09	-	-	M3596021 GRN	CONN 4 W/P TWR	DEVICE	12089040 / MALE	IV	1	5.50	3.300/3.100	12015026	12020232
12015788	09	AA	-	M3596002 BLK	CONN 4 W/P TWR	DEVICE	12089188 / FEMALE	III	4	11.25	3.300/3.100	12015024	12015798
12015266	09	-	-	M3596008 BLU	CONN 4 W/P TWR	DEVICE	12089040 / MALE	II	2	5.50	3.300/3.100	12015481	12015390
12015051	09	-	-	M3596011 WHT	CONN 4 W/P TWR	DEVICE	12089040 / MALE	I	3	5.50	3.300/3.100	12015026	12010503
12015023	H	-	OBSOLETE	M2019001 BLK	-	-	-	II	4	-	-	12015024	-

TOLERANCE UNLESS OTHERWISE SPECIFIED  
 DECIMAL: ONE PLACE ±.3  
 TWO PLACE ±.15  
 ANGULAR ±2°

THIRD ANGLE PROJECTION		DO NOT SCALE	
USE MATH DATA		USE MATH DATA	

**DELPHI**  
 DELPHI PACKARD ELECTRIC SYSTEMS  
 WARREN, OH

DR	DATE
APV01 E. SALAZAR	11FE02
APV02 E. SALAZAR	11FE02
APV03 R. CORZAS	11FE02
APV04	
APV05	

SUBSTANCES OF CONCERN AND RECYCLED CONTENT PER DELPHI 12049001

MATERIAL SEE CHART

DRAWING NAME: TAXI CONN W/P TWR

DRAWING NUMBER: 12015717

SCALE: N/A

FRAME NO: 1 OF 1

SHEET NO: 1 OF 1

STG REV N/P: 06 -