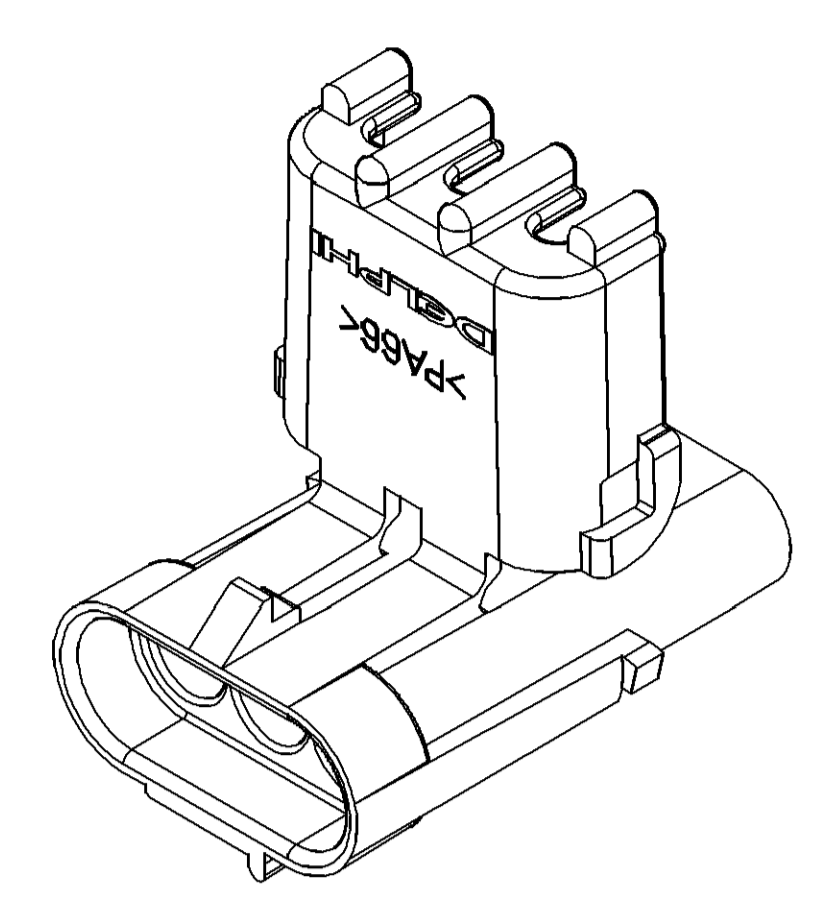
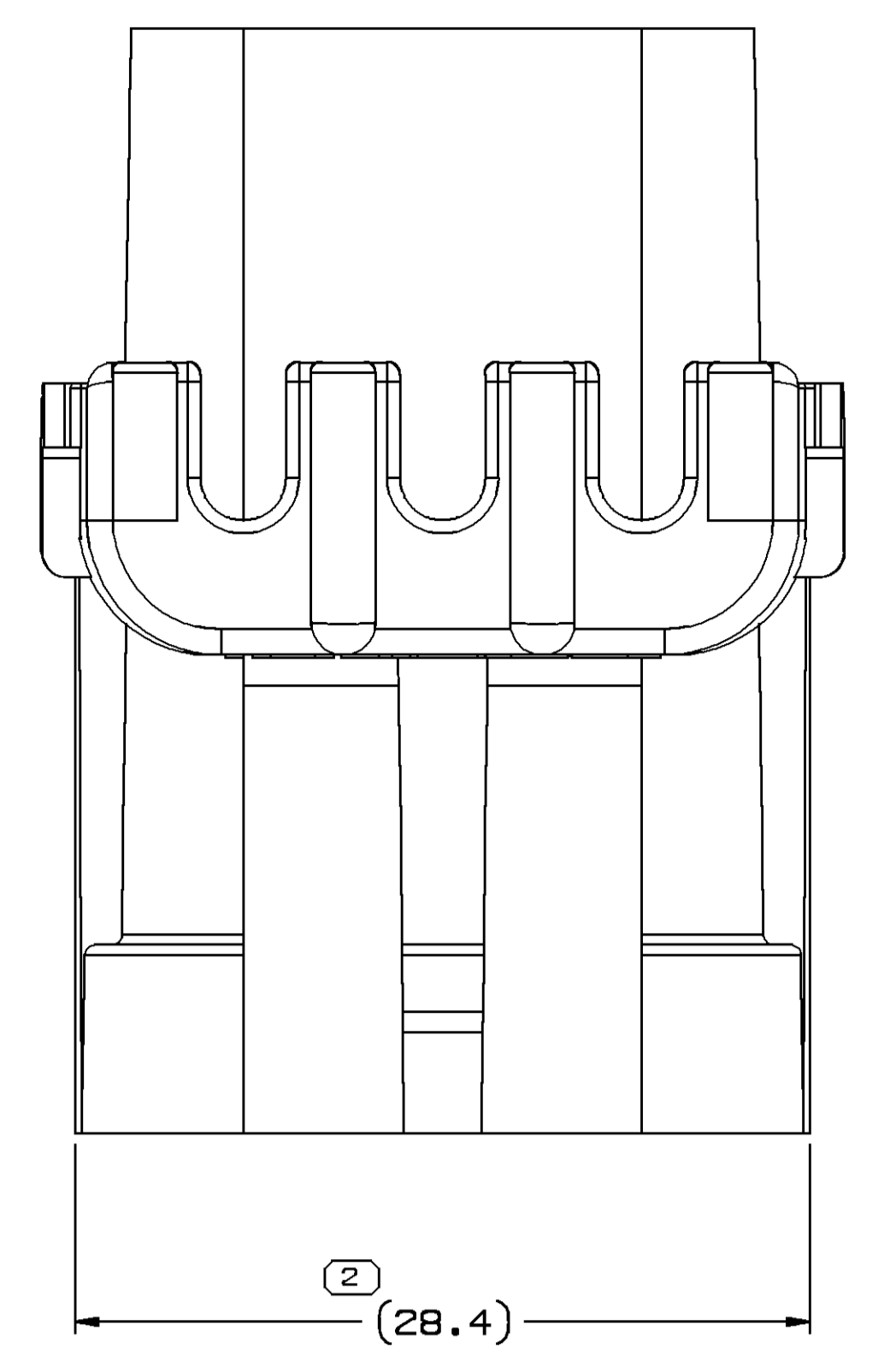
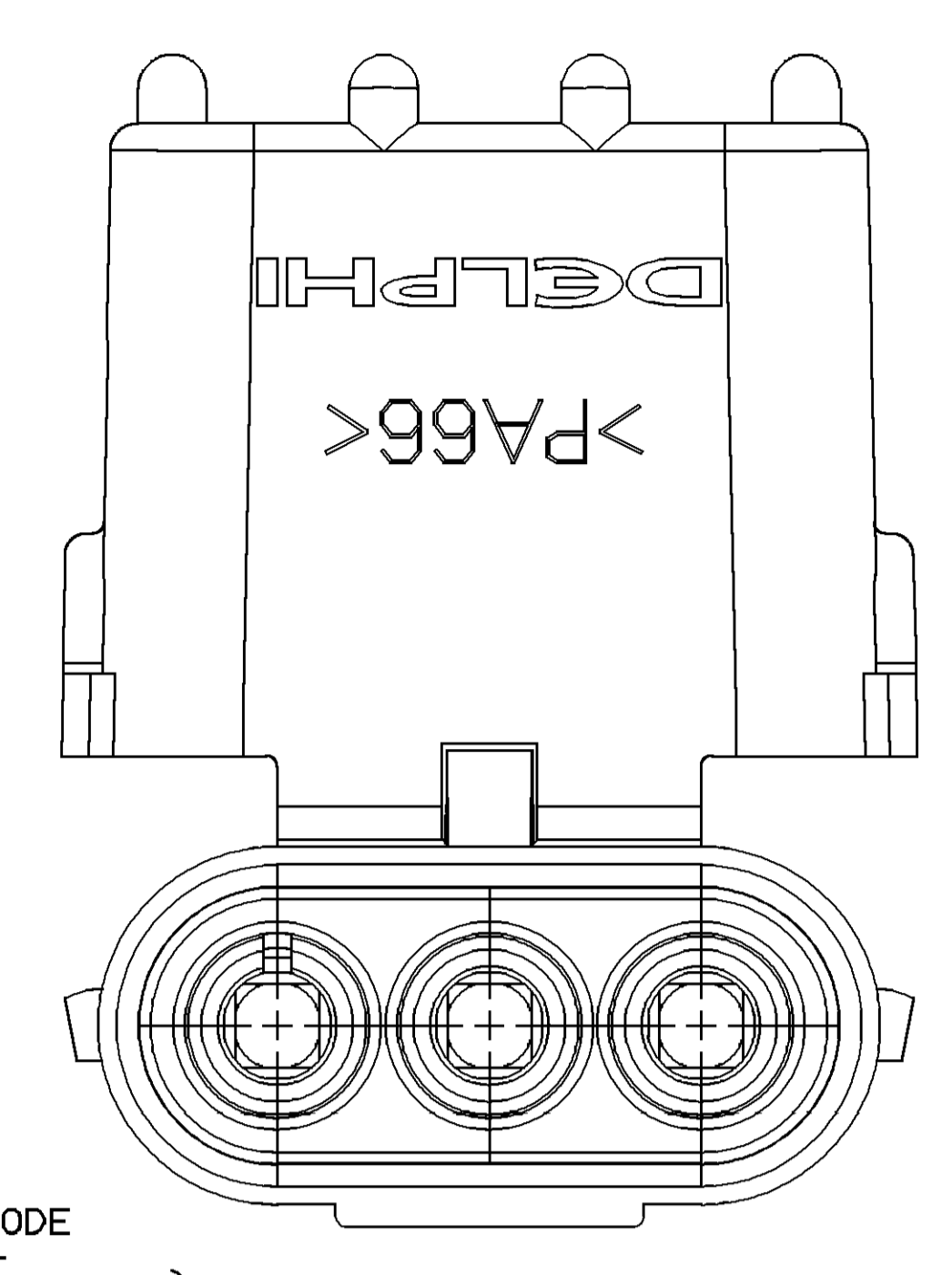
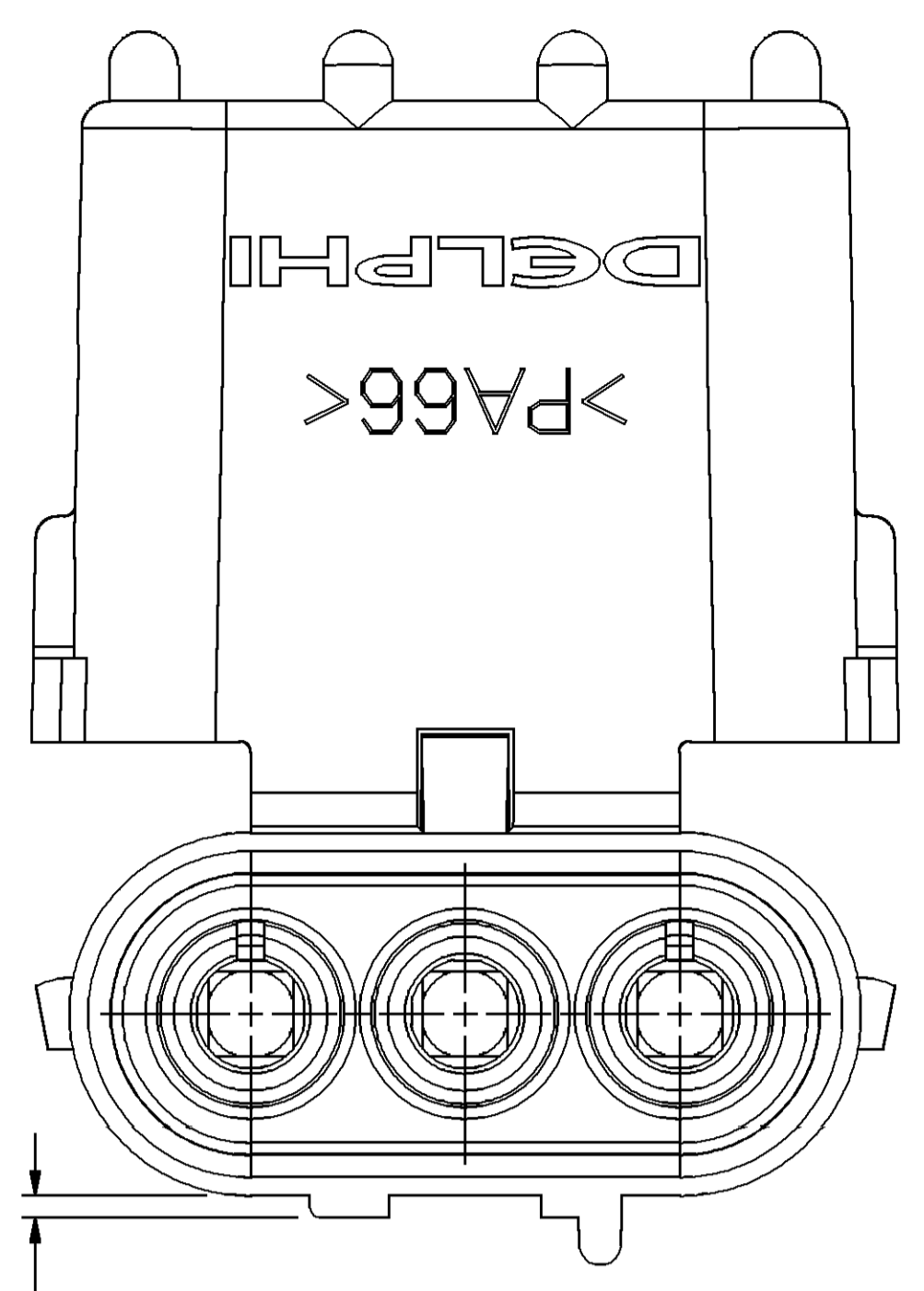


SYMBOL DEFINITION		MISSING SYMBOLS	
A DIMENSION WITHOUT AN INSPECTION REPORT SYMBOL DOES NOT REQUIRE INSPECTION. IT MAY BE CONTROLLED ON THE INDIVIDUAL COMPONENT DRAWING.	TOTAL NO OF INSPECTIONS REQUIRED	NO MISSING SYMBOL NUMBER	
	23		
	LAST NO. USED		
	17		

DWS STATUS					REVISION HISTORY					AUTH		DR		APVD		
DATE	STG	REV	N/P	ZONE	DATE	REV	N/P	ZONE	DATE	REV	N/P	ZONE	DATE	REV	N/P	ZONE
08JUL02	R	02	-	-									226196	JGR	EDV	RC
16JUL07	R	03	-	-									401863	PJC	PJC	SS
28OCT09	R	04	-	-									409347	APR	APR	APR
17JUN10	R	05	-	-									411088	JEG	JAA	FOO
14JUL10	R	06	-	-									411329	ESC	ESC	FOO
21OCT10	R	07	-	-									412331	LHT	LHT	R6C



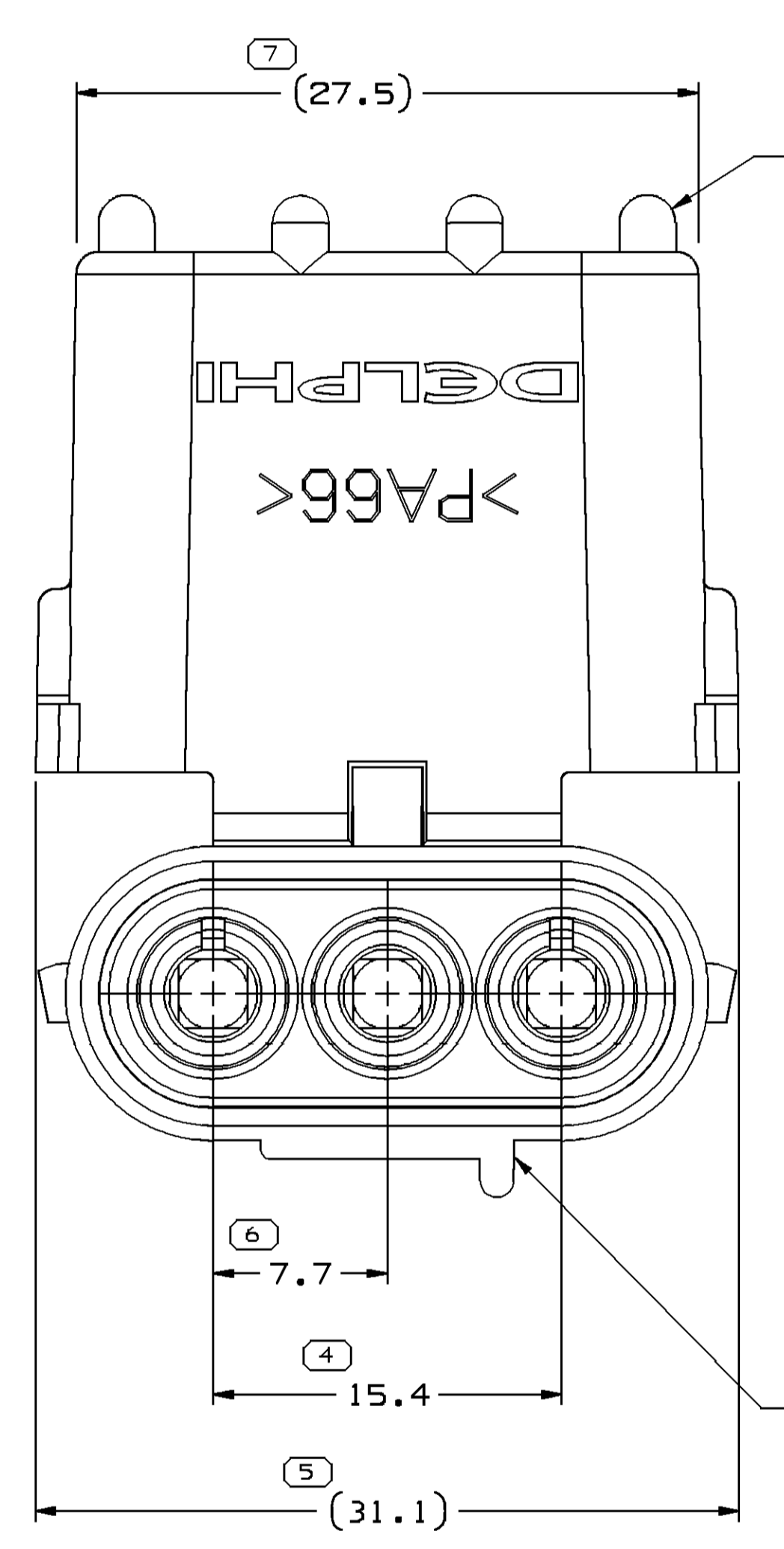
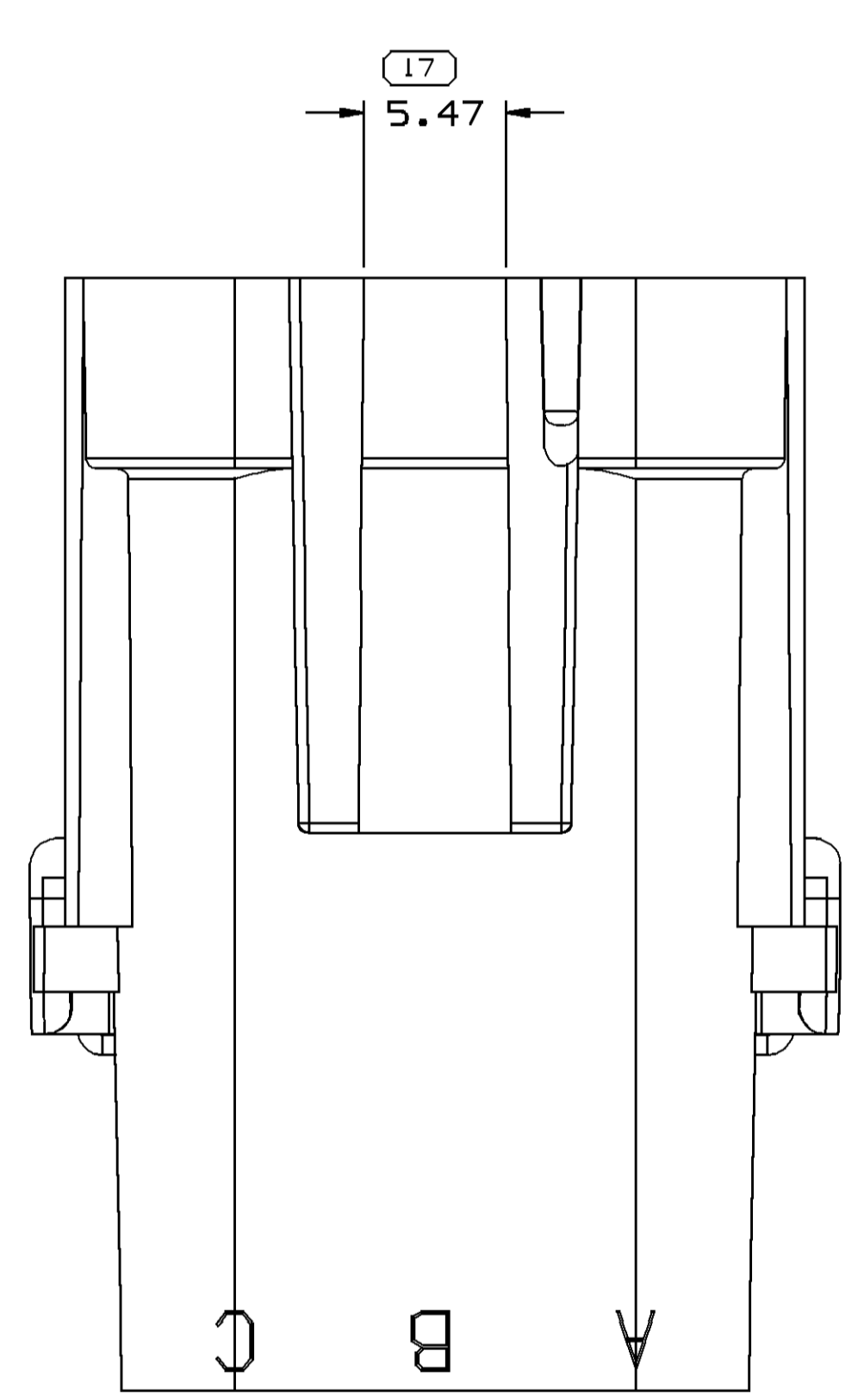
SCALE 2:1

TYPE 103  
SAME AS TYPE 101  
EXCEPT AS SHOWN  
NO OPTIONAL CONSTRUCTION ALLOWED

TYPE 102  
SAME AS TYPE 101  
EXCEPT AS SHOWN

INDEX CODE  
-100-  
(ALSO SEE HANDBOOK)

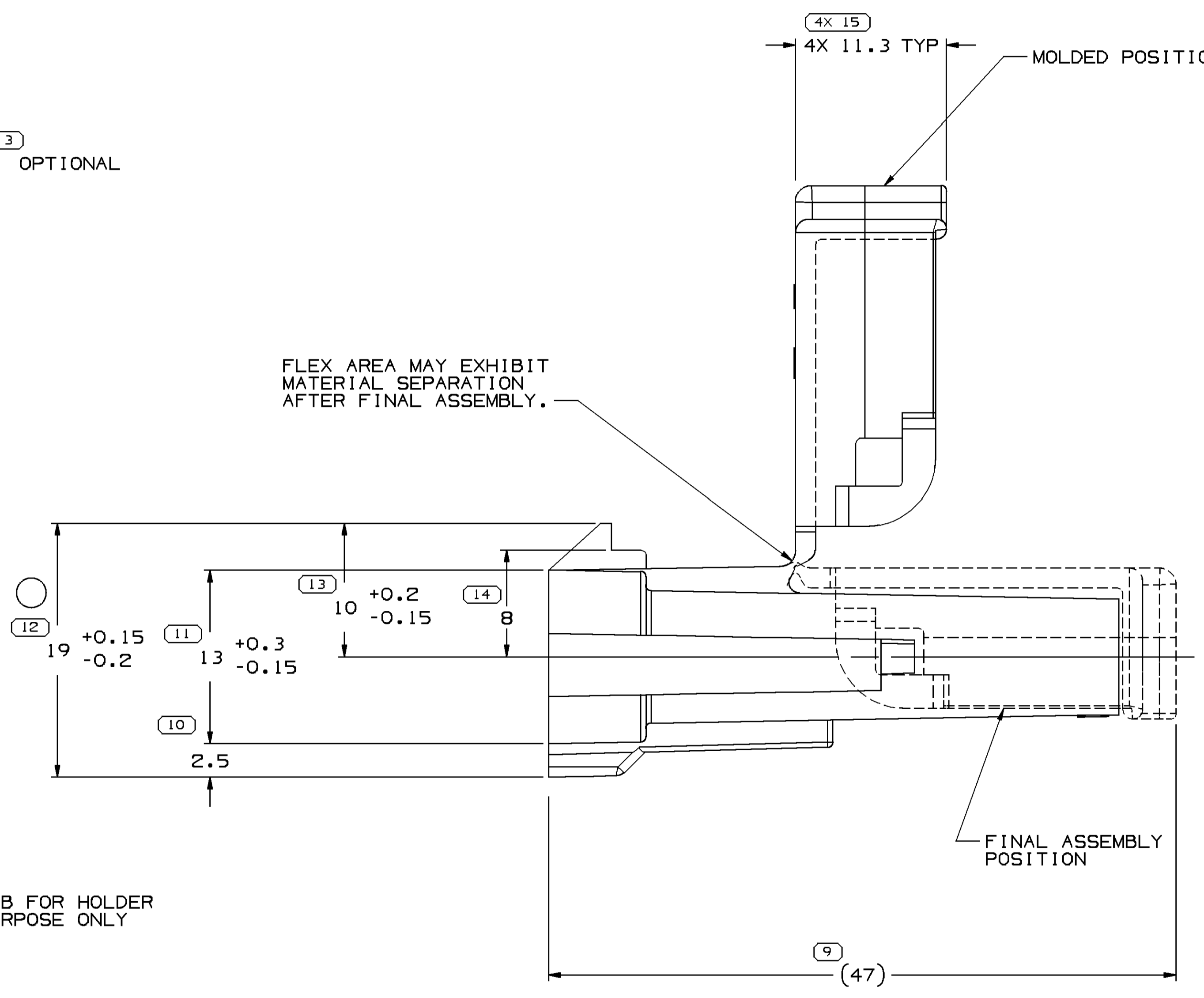
INDEX CODE  
-101-  
(ALSO SEE HANDBOOK)



TYPE 101

RIB FOR HOLDER  
PURPOSE ONLY

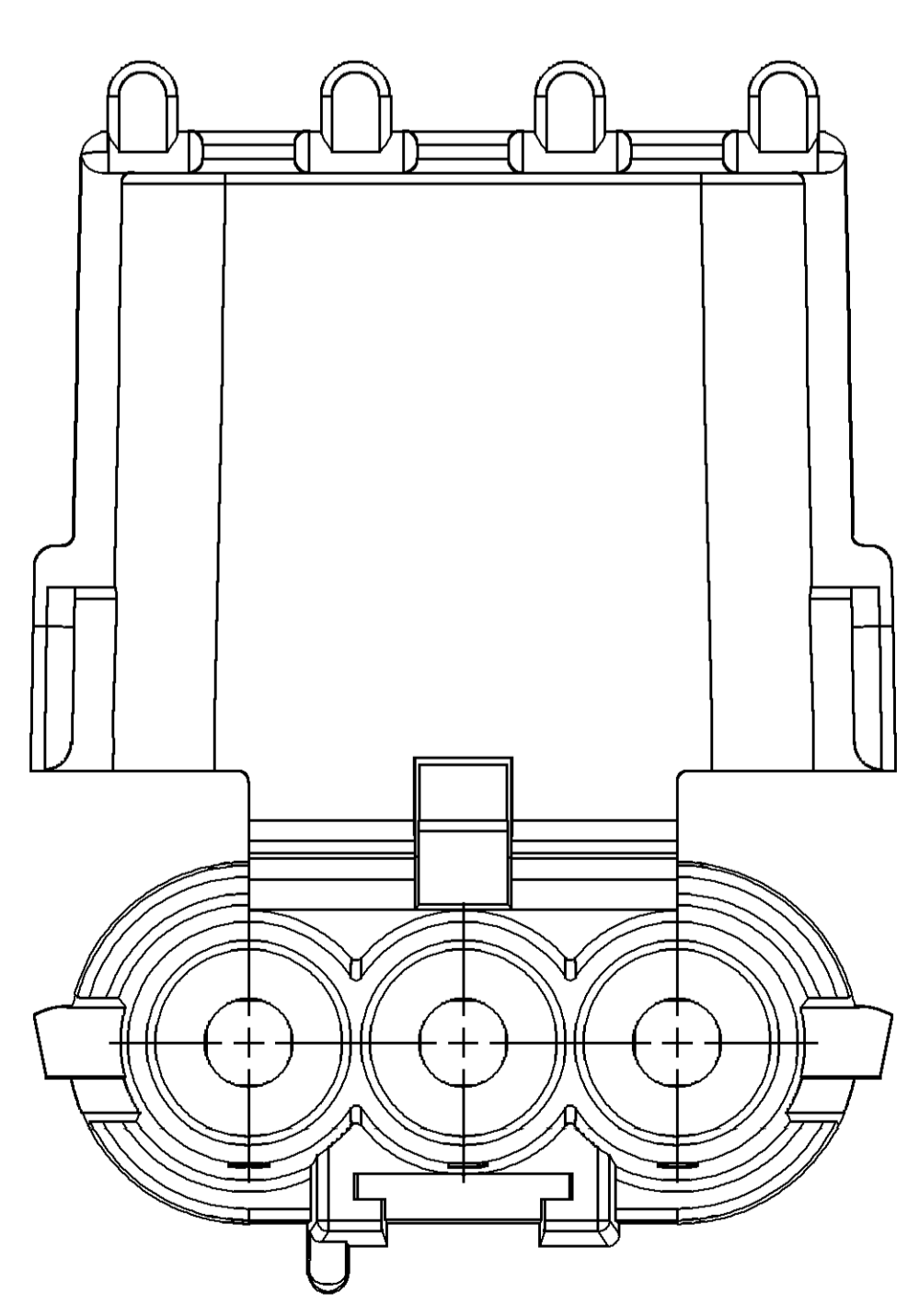
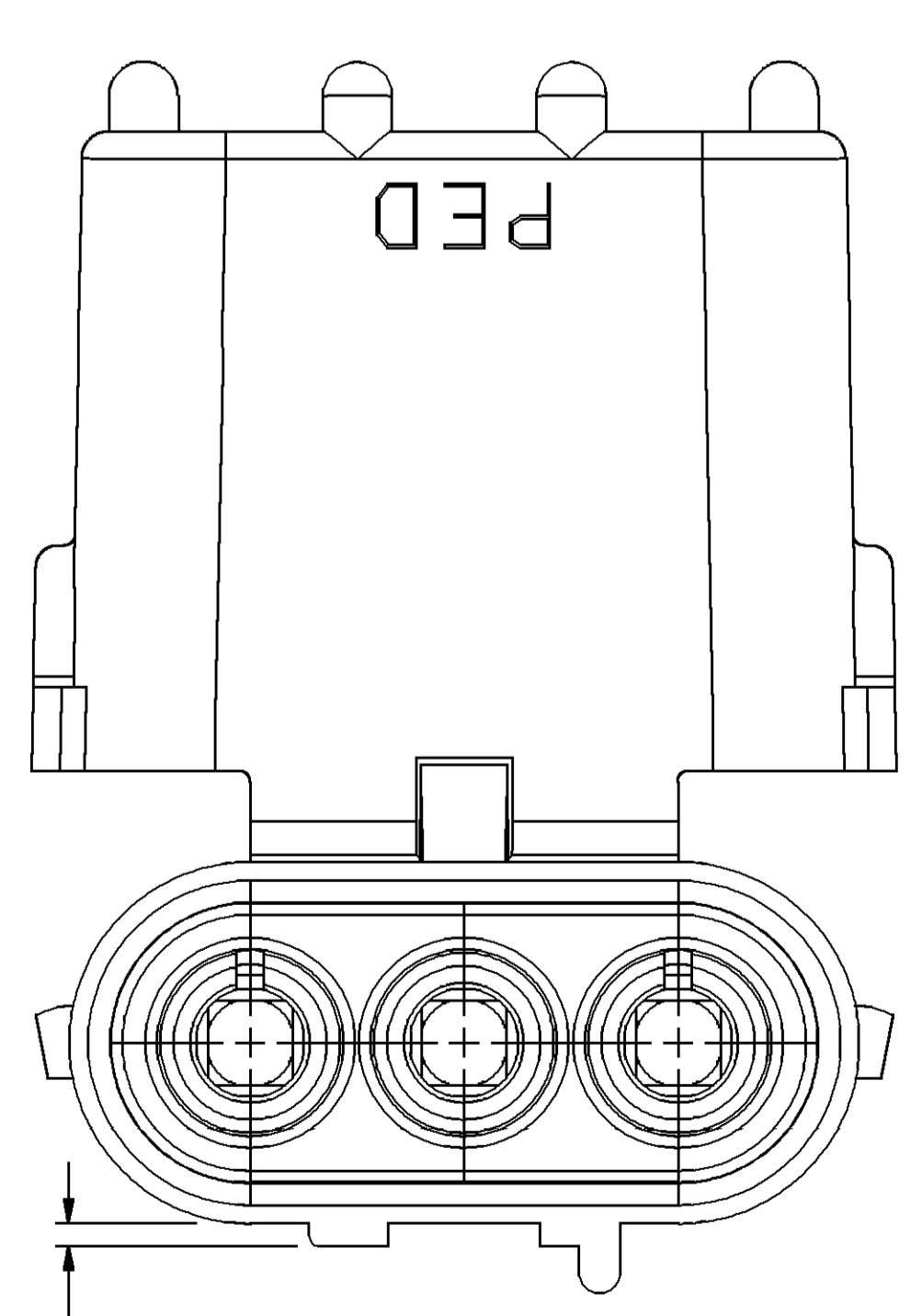
FLEX AREA MAY EXHIBIT  
MATERIAL SEPARATION  
AFTER FINAL ASSEMBLY.



PULL OUT RIBS PERMITTED ALONG  
THIS AND OPPOSITE SURFACE.

NOTES

- UNLESS OTHERWISE SPECIFIED AND/OR INDICATED: DIMENSIONS ARE TO FACE OF VIEW SHOWN AND AUTOMATICALLY ROUNDED BY COMPUTER FOR INSPECTION (SEE MATH MODEL FOR PRECISE DIMENSIONS). FOR ALL OTHER DIMENSIONS NOT SHOWN BUT REQUIRED FOR TOOL BUILD, SEE MATH MODEL FOR PRECISE TOOL PATH DATA.
- THIS PRODUCT IS NOT CATEGORIZED AS AN APPEARANCE ITEM, MINOR IMPERFECTIONS INCLUDING, BUT NOT LIMITED TO, FLOW MARKS, COLOR BLEMISHES, GATE VESTIGES, AND SOFT FLASH THAT DO NOT AFFECT THE FIT, FORM, OR FUNCTION OF THE PART ARE PERMISSIBLE PER DPNP-4.7-CS-01.
- FOR APPLICATION DATA SEE THE INDIVIDUAL APPLICATION DRAWINGS.
- CAUTION: DO NOT ATTEMPT TO COPY THIS DRAWING WHEN DESIGNING A MATING PART TO A WEATHER PACK CONNECTOR. PLEASE REQUEST THE LATEST COPY OF DRAWING NUMBER 12020084 FROM THE PACKARD ELECTRIC DIVISION.
- MATERIAL RECYCLING CODE PER ISO 11469. (2.3)X(0.1) CHARACTERS AS SHOWN TO BE LOCATED ON ANY EXTERIOR SURFACE. OPTIONAL CONSTRUCTION TO BE NO MATERIAL RECYCLING CODE.
- (2.3)X(0.1) RAISED DELPHI CORPORATE BRAND TO BE LOCATED ON ANY EXTERIOR SURFACE, PREFERABLY VISIBLE AT FINAL ASSEMBLY. OPTIONAL CONSTRUCTION TO BE "PED" OR NO LOGO.
- TO VERIFY CONNECTOR PHYSICAL ATTRIBUTES OR APPEARANCE ITEMS, REFER TO VPS-226.



OPTIONAL CONSTRUCTIONS  
TYPES 101 & 102

PART NO	REV	N/P	STATUS	MATERIAL SPECIFICATION AND COLOR	TYPE	VOLUME CM <sup>3</sup>
13B31309	01	AB		POLYAMIDE COMPOUND - BLK	103	7.895
12015460	07	AC		POLYAMIDE COMPOUND - BLU	101	7.923
12015092	07	AC		POLYAMIDE COMPOUND - RED	102	7.894
12010717	07	AC		POLYAMIDE COMPOUND - BLK	101	7.923

DIMENSIONAL RANGE (MM)		TOLERANCE		CHART EST	
FROM	TO	±	ANGULAR TOLERANCE		
> 0	> 20	> 30	> 70	> 100	> 150
> 20	> 30	> 70	> 100	> 150	> 200
> 30	> 70	> 100	> 150	> 200	> 250
> 70	> 100	> 150	> 200	> 250	> 300
> 100	> 150	> 200	> 250	> 300	> 400

**DELPHI**  
DELPHI PACKARD ELECTRICAL/ELECTRONIC ARCHITECTURE  
WARREN, OH

DATE: 16JUL79

OR: J.M. SOVA, T. MUDREY, J. YURTIN

APVD: J.M. SOVA, T. MUDREY, J. YURTIN

UNLESS OTHERWISE SPECIFIED: THIS DOCUMENT IS IN ACCORDANCE WITH ASME Y14.5M-1994 AS MODIFIED BY THE GM GLOBAL DIMENSIONING AND TOLERANCING HANDBOOK - 1997. ALL GEOMETRIC TOLERANCES AND RELATED DATUMS SHALL BE PER ASME Y14.5M-1994. MFG DOES NOT APPLY WHEN RELATIONSHIP BETWEEN FEATURES IS ESTABLISHED BY ORIENTATION OR LOCATION TOLERANCES. SEPARATE POSITION CALLOUTS MAY BE SHOWN SEPARATELY, IRRESPECTIVE OF DATUM REFERENCES. ALL DIMENSIONS ARE IN MILLIMETERS.

REFERENCE: TAXI CONN M W/P SHD SLD

DRAWING NUMBER: 12015482

SIZE: A0, SCALE: 4:1, FRAME NO: 1 OF 1, SHEET NO: 1 OF 1, STG: R, REV: 07