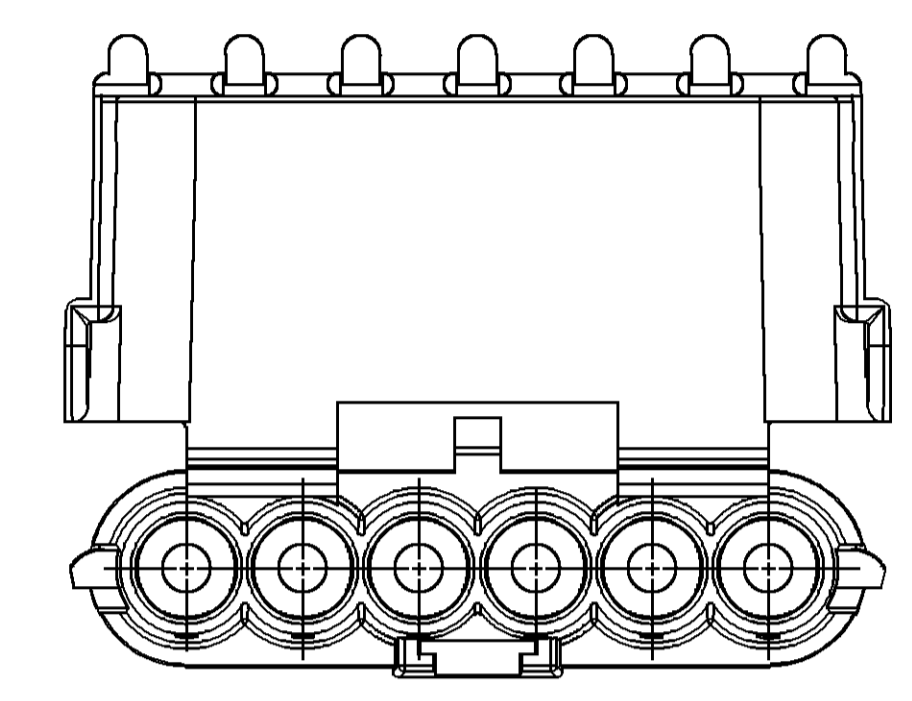
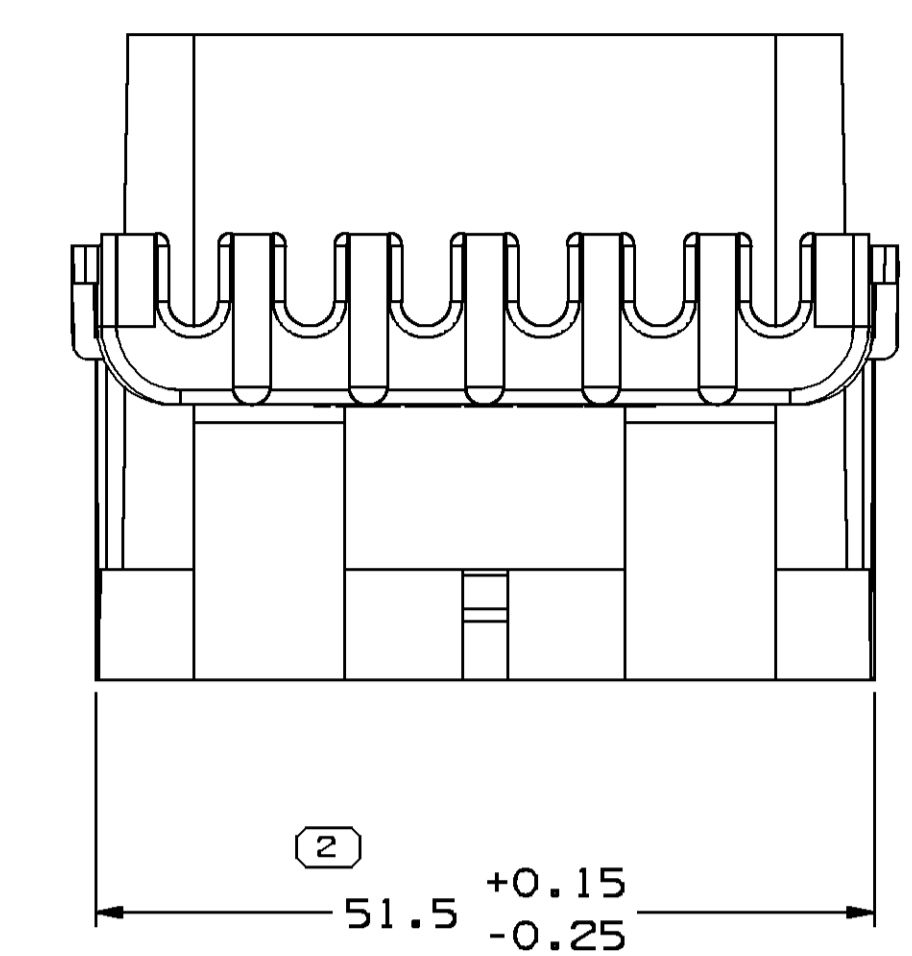


SYMBOL DEFINITION		MISSING SYMBOLS	
A DIMENSION WITHOUT AN INSPECTION REPORT SYMBOL DOES NOT REQUIRE INSPECTION. IT MAY BE CONTROLLED ON THE INDIVIDUAL COMPONENT DRAWING.	TOTAL NO OF INSPECTIONS REQUIRED	NO MISSING SYMBOL NUMBER	
	19		
	LAST NO. USED		
	17		

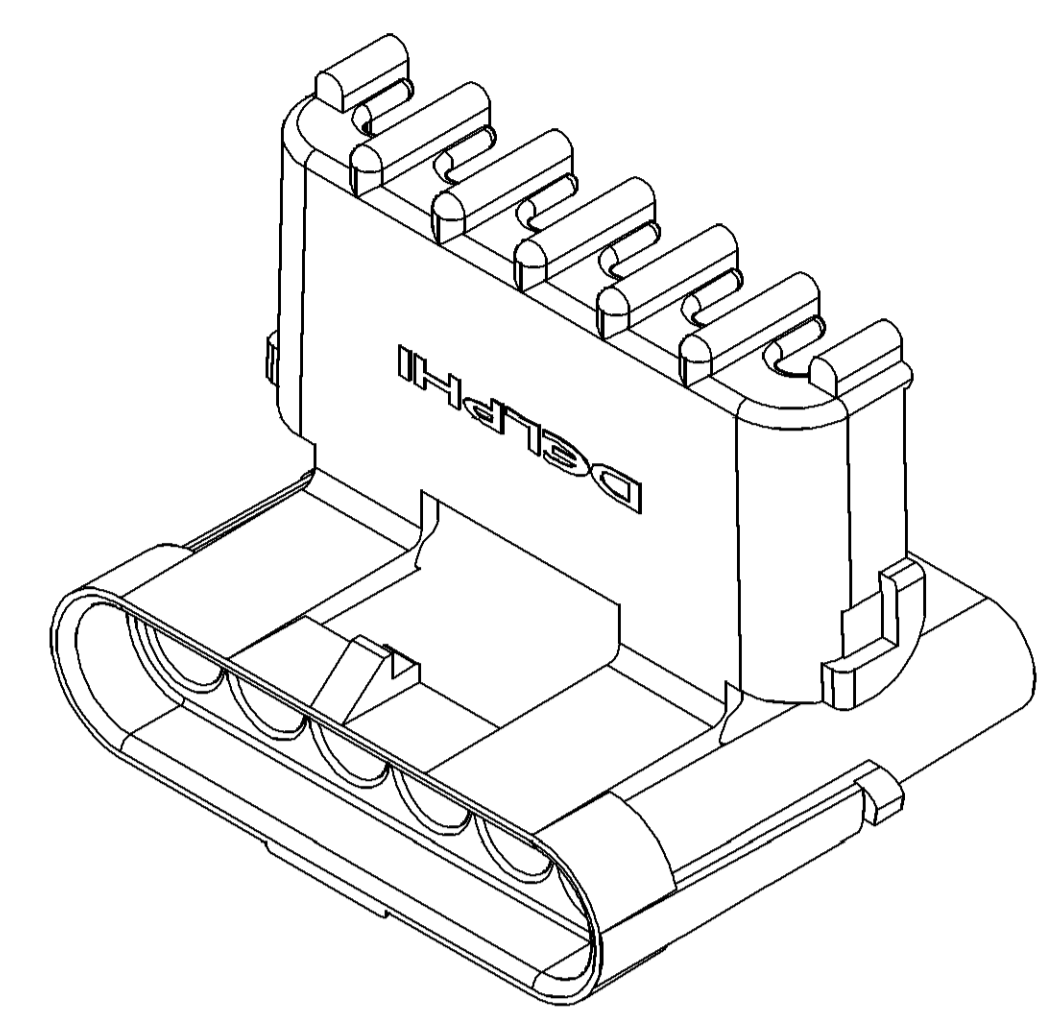
DWG STATUS				REVISION HISTORY		AUTH		DR		APVD	
DATE	STG	REV	N/P	CHG	ZONE						
10NOV09	R	01	-	-		12010975 - WAS SEPARATE DRAWING AND 13796116 - RELEASED	409387	JAR	OLG	RHO	1
28MR11	R	02	-	-		ALL PARTS - 51.5 +0.15/-0.25 WAS 51.5 ± 0.15	413736	AHY	JAA	BEM	2
07DE11	R	03	-	-		ALL PARTS - UPDATED PDM ATTRIBUTES	416391	JEG	JEG	JRV	



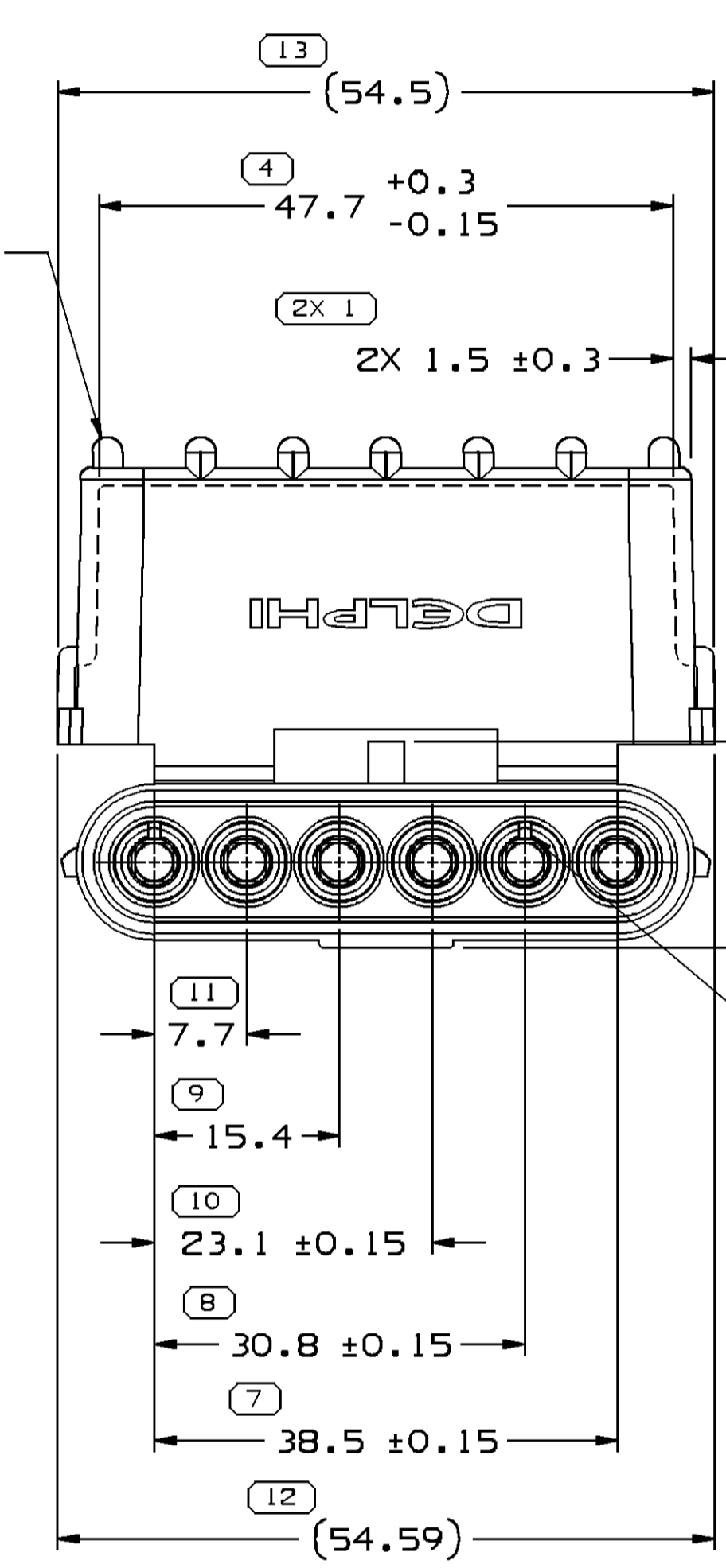
TYPE 102
SAME AS TYPE 101
EXCEPT AS SHOWN



(2) 51.5 +0.15
-0.25



(2X 3)
2X END RIBS OPTIONAL



(13) 54.5

(4) 47.7 +0.3
-0.15

(2X 1) 2X 1.5 ± 0.3

(5) 17.15

INDEX CODE 100010
(ALSO SEE HANDBOOK)

(11) 7.7

(9) 15.4

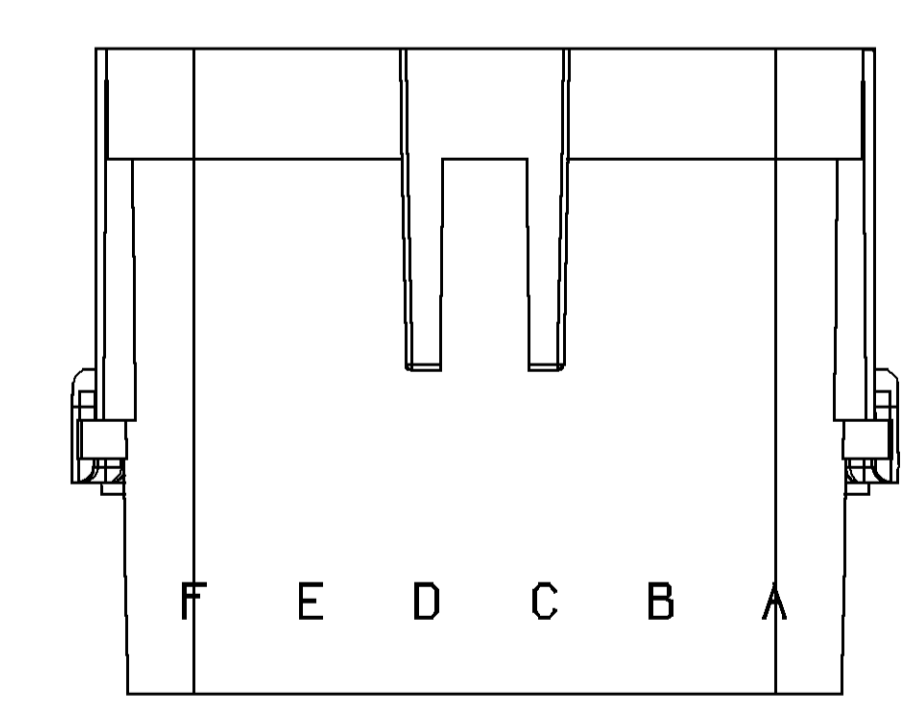
(10) 23.1 ± 0.15

(8) 30.8 ± 0.15

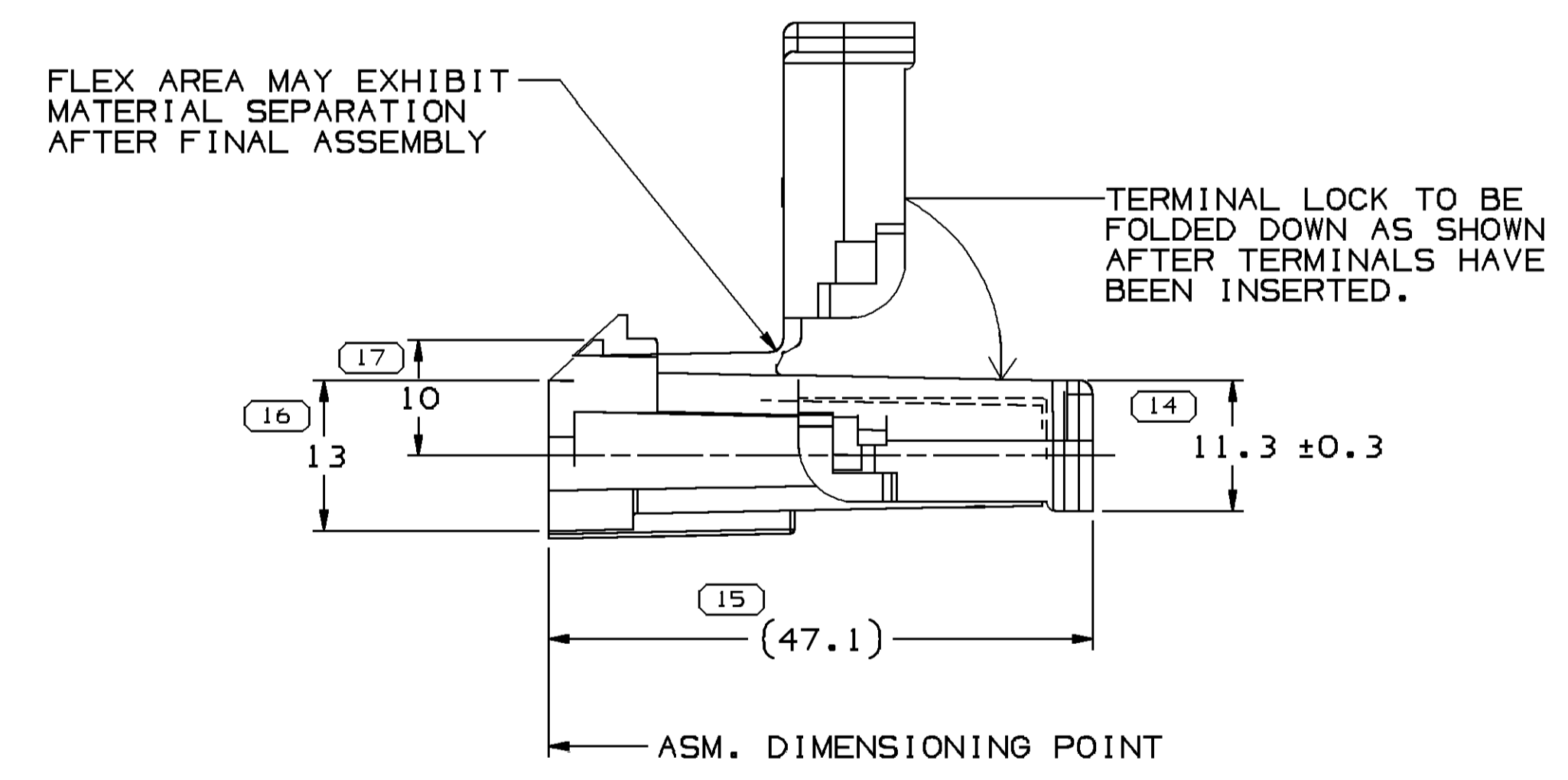
(7) 38.5 ± 0.15

(12) 54.59

TYPE 101



F E D C B A



FLEX AREA MAY EXHIBIT MATERIAL SEPARATION AFTER FINAL ASSEMBLY

TERMINAL LOCK TO BE FOLDED DOWN AS SHOWN AFTER TERMINALS HAVE BEEN INSERTED.

ASM. DIMENSIONING POINT

SECONDARY TERMINAL LOCK ASSEMBLY REQUIREMENT

- NOTES
- UNLESS OTHERWISE SPECIFIED AND/OR INDICATED:
 - DIMENSIONS ARE TO FACE OF VIEW SHOWN AND AUTOMATICALLY ROUNDED BY COMPUTER FOR INSPECTION (SEE MATH MODEL FOR PRECISE DIMENSIONS). FOR ALL OTHER DIMENSIONS NOT SHOWN BUT REQUIRED FOR TOOL BUILD, SEE MATH MODEL FOR PRECISE TOOL PATH DATA.
 - MATERIAL RECYCLING CODE PER ISO 11469. (2,3)X(0,1) CHARACTERS AS SHOWN TO BE LOCATED ON ANY EXTERIOR SURFACE OPTIONAL CONSTRUCTION TO BE NO MATERIAL RECYCLING CODE.
 - THIS PRODUCT IS NOT CATEGORIZED AS AN APPEARANCE ITEM. MINOR IMPERFECTIONS INCLUDING, BUT NOT LIMITED TO, FLOW MARKS, COLOR BLEMISHES, GATE VESTIGE, AND SOFT FLASH THAT DO NOT AFFECT THE FIT, FORM, OR FUNCTION OF THE PART ARE PERMISSIBLE PER DPNP-4.7-CS-01.
 - THIS PART IS NOT CONTROLLED FOR AUTOMATIC FEEDING.
 - (2,3)X(0,1) DELPHI CORPORATE BRAND TO BE LOCATED ON ANY EXTERIOR SURFACE, PREFERABLY VISIBLE AT FINAL ASSEMBLY. OPTIONAL CONSTRUCTION FOR EXISTING TOOLING MAY BE "PED" OR NO LOGO.
 - CAUTION: DO NOT ATTEMPT TO COPY THIS DRAWING WHEN DESIGNING A MATING PART TO A WEATHER PACK CONNECTOR PLEASE REQUEST THE LATEST COPY OF DRAWING NUMBER 12020084 FROM THE PACKARD ELECTRIC DIVISION.
 - FOR APPLICATION DATA SEE THE INDIVIDUAL APPLICATION DRAWINGS.

13796116	01	AB	-	102	13.121
12010975	D9	-	-	101	14.605
PART NO	REV	N/P	STATUS	TYPE	VOLUME (CM) ³

DIMENSIONAL RANGE (MM)		CHART SET	
FROM	TO	>	<
0	20	70	100
20	30	100	150
30	70	150	200
70	100	200	250
100	200	250	300
200	300	300	400

DWG TYPE PART DRAWING					
STYLE	DISTR CODE				
VOLUME (OMP) SEE CHART	D				
UNLESS OTHERWISE SPECIFIED THIS DOCUMENT IS IN ACCORDANCE WITH ASME Y14.5M-1994 AS MODIFIED BY THE 2003 SUPPLEMENT AND TELEPHONING ADDENDUM-2001. SEPARATE PATTERNS OF FEATURES MAY BE SHOWN SEPARATELY, REGARDLESS OF REFERENCES.					
ALL DIMENSIONS ARE IN MILLIMETERS					
REFERENCE					
<table border="1"> <tr> <th colspan="2">2 PROCESS SENSITIVE DIMENSION</th> </tr> <tr> <td>DIMENSIONS ENCLOSED IN () INDICATE REFERENCE DIMENSIONS AND NO TOLERANCE LIMITS ARE ESTABLISHED</td> <td></td> </tr> </table>		2 PROCESS SENSITIVE DIMENSION		DIMENSIONS ENCLOSED IN () INDICATE REFERENCE DIMENSIONS AND NO TOLERANCE LIMITS ARE ESTABLISHED	
2 PROCESS SENSITIVE DIMENSION					
DIMENSIONS ENCLOSED IN () INDICATE REFERENCE DIMENSIONS AND NO TOLERANCE LIMITS ARE ESTABLISHED					
THIRD ANGLE PROJECTION	DO NOT SCALE				
USE MATH DATA					

DELPHI	
DELPHI PACKARD ELECTRICAL/ELECTRONIC ARCHITECTURE WARREN, OH	
DR	DATE
APV01 JOSE A. RODRIGUEZ	10NOV09
APV02 G. LOPEZ G.	16NOV09
APV03 ROBERTO HINOJOSA	17NOV09
APV04	
SUBSTANCES OF CONCERN AND RECYCLED CONTENT PER DELPHI 10949901	
MATERIAL POLYAMIDE COMPOUND BLACK	
DRAWING NAME TAXI CONN 6 M W/P SHD SLD	
DRAWING NUMBER 13796117	
SIZE A0	SCALE 2:1
FRAME NO 1	SHEET NO 1
REV R	N/P 03