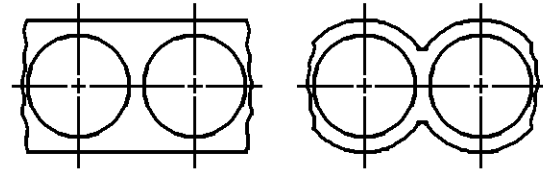


D THIS DRAWING IS NOT A PROPRIETARY DESIGN OF PACKARD ELECTRIC AND IS NOT AVAILABLE FOR DISTRIBUTION OUTSIDE OF PACKARD ELECTRIC, UNLESS THE LETTER "D" APPEARS IN THE BOX TO THE LEFT OF THIS NOTE.

DO NOT SCALE

PART NO  
1201 5387

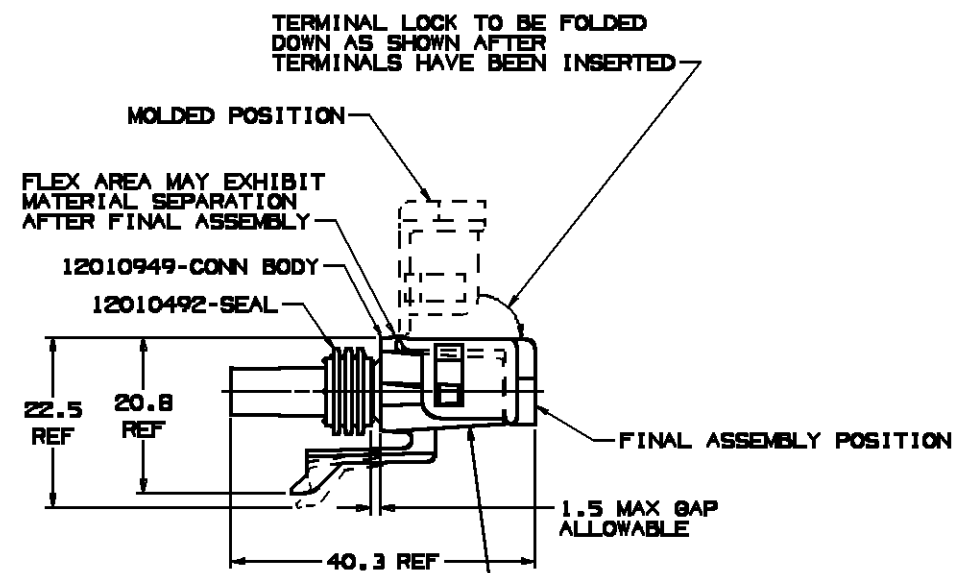
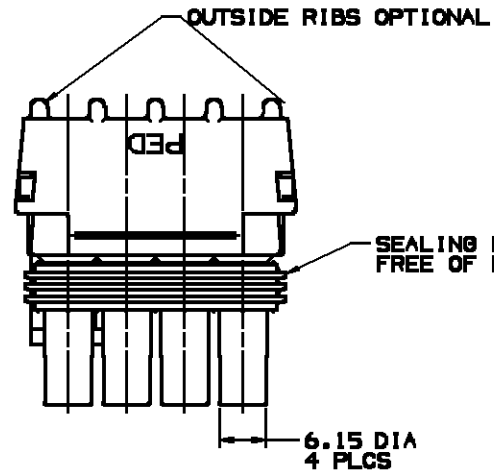


STANDARD CONSTRUCTION  
OPTIONAL CONSTRUCTION  
CABLE END VIEW OF CONN BODY

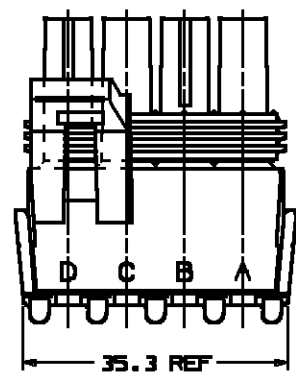
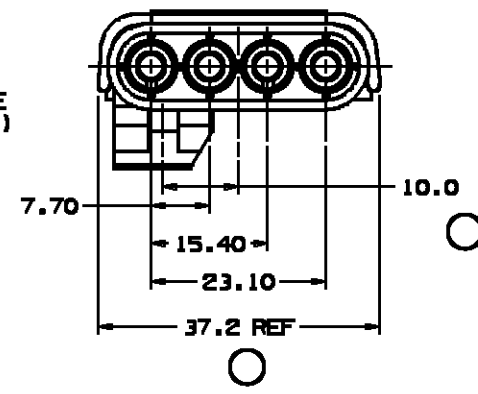
DATE	SYM	REVISION RECORD	AUTH	DR	CK
19MR91	A1	REDRAWN AND UPDATED TO			
		LATEST STANDARDS	139766	JH	FH
12JL91	A2	ADDED RIB NOTE AND			
		10.00 DIM - CHANGED			
		36.8 REF TO 37.2 REF	143245	RKR	JH

PART NO  
1201 5387

PACKARD ELECTRIC DIVISION  
GENERAL MOTORS CORPORATION  
WARREN, OHIO



INDEX CODE  
-0101-  
(ALSO SEE HANDBOOK)



- NOTES**
1. USE TERMINAL 12089040 OR EQUIVALENT.
  2. USE CABLE SEAL 12015323 OR EQUIVALENT.
  3. MATING CONNECTOR - DELCO PRODUCTS I.S.C. HOUSING #5048624 OR EQUIVALENT.
  4. WHEN PARTS ARE SHIPPED, THEY MUST BE PACKED IN PLASTIC BAGS OR SHIPPING CONTAINERS MUST BE LINED WITH PLASTIC LINERS. BAGS OR LINERS MUST BE SEALED TO AVOID ENTRY OF FOREIGN MATTER.
  5. SEALING CODE 3.
  6. WHEN DESIGNING A PART TO MATE TO THIS WEATHER PACK CONNECTOR, REQUEST THE LATEST COPY OF DRAWING NUMBER 12020084 FROM THE PACKARD ELECTRIC DIVISION.

<b>Ugraphics II</b>		<b>METRIC</b> DIMENSIONS ARE IN MILLIMETERS UNLESS OTHERWISE SPECIFIED	
THIRD ANGLE PROJECTION		TOLERANCE UNLESS OTHERWISE SPECIFIED DECIMAL: ANGULAR ± 2°	
		ONE PLACE ± 0.3 TWO PLACE ± 0.15	
CODE NO	QC	DES	E.SEIDEL 15MR80
6900	-C-5110	DR	T.MUDREY 22MR80
DWG DATE	23JAB0	CK	J.YURTIN 28MR80
SCALE	NONE	APPR	A.WINYARD 28MR80
REFERENCE NO		VOL	CM <sup>3</sup>
MATERIAL SPEC			
SEE DRAWING			
NAME			
ASM CONN 4M W/P TWR			
PART NUMBER			SIZE
1201 5387			A3

191A  
197A  
4274A  
4300A  
4471A