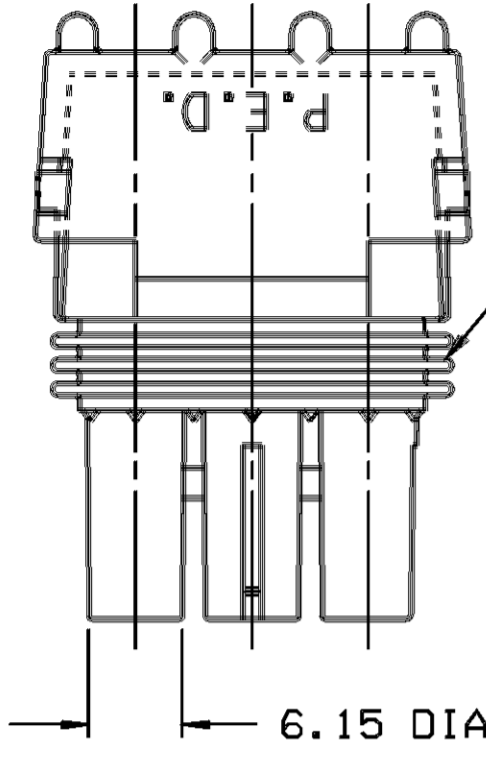


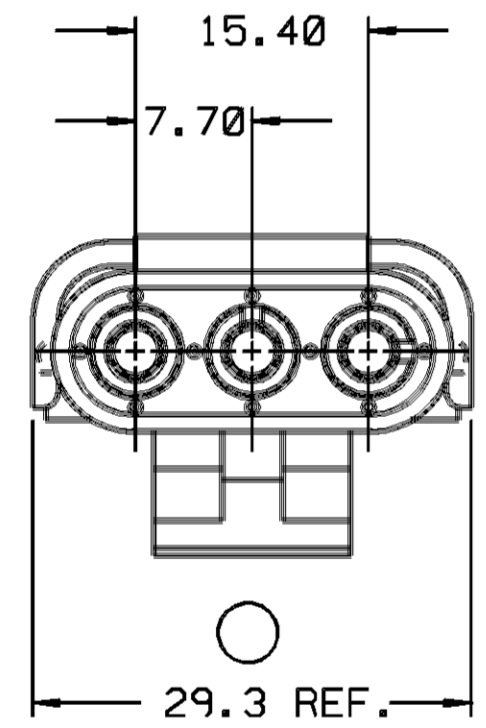
THIS DRAWING AND DESIGN HEREON CONSTITUTES A PROPRIETARY DESIGN OF PACKARD ELECTRIC DIVISION AND IS NOT TO BE DUPLICATED OR REPRODUCED WITHOUT AUTHORITY OF PACKARD ELECTRIC DIVISION.

DO NOT SCALE



SEALING RIBS MUST BE FREE OF DEFECTS.

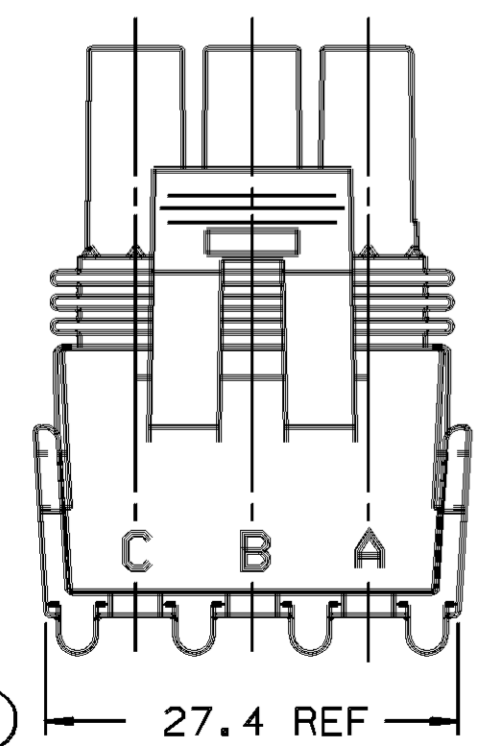
6.15 DIA. - 3 PLCS



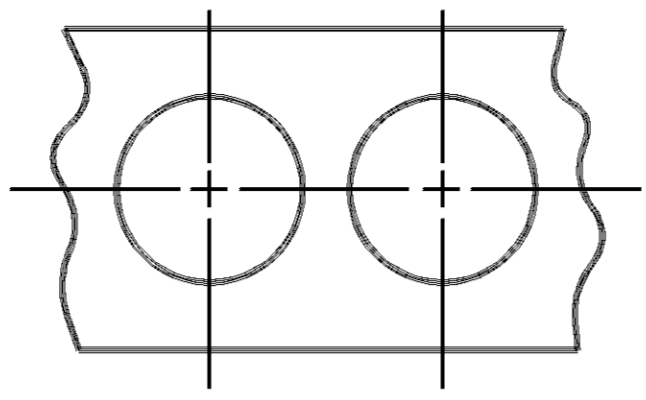
15.40  
7.70

29.3 REF.

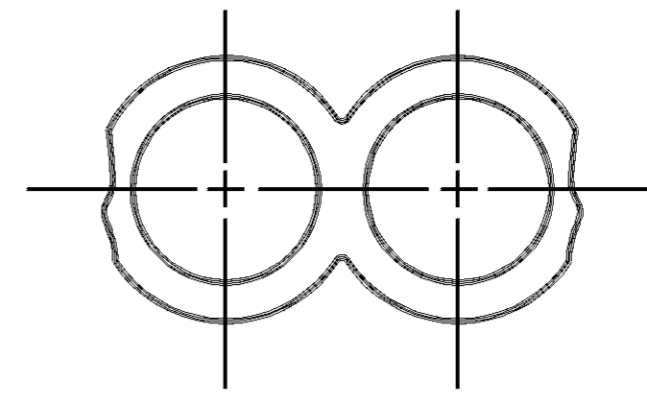
INDEX CODE  
-430-  
(ALSO SEE HANDBOOK)



27.4 REF.

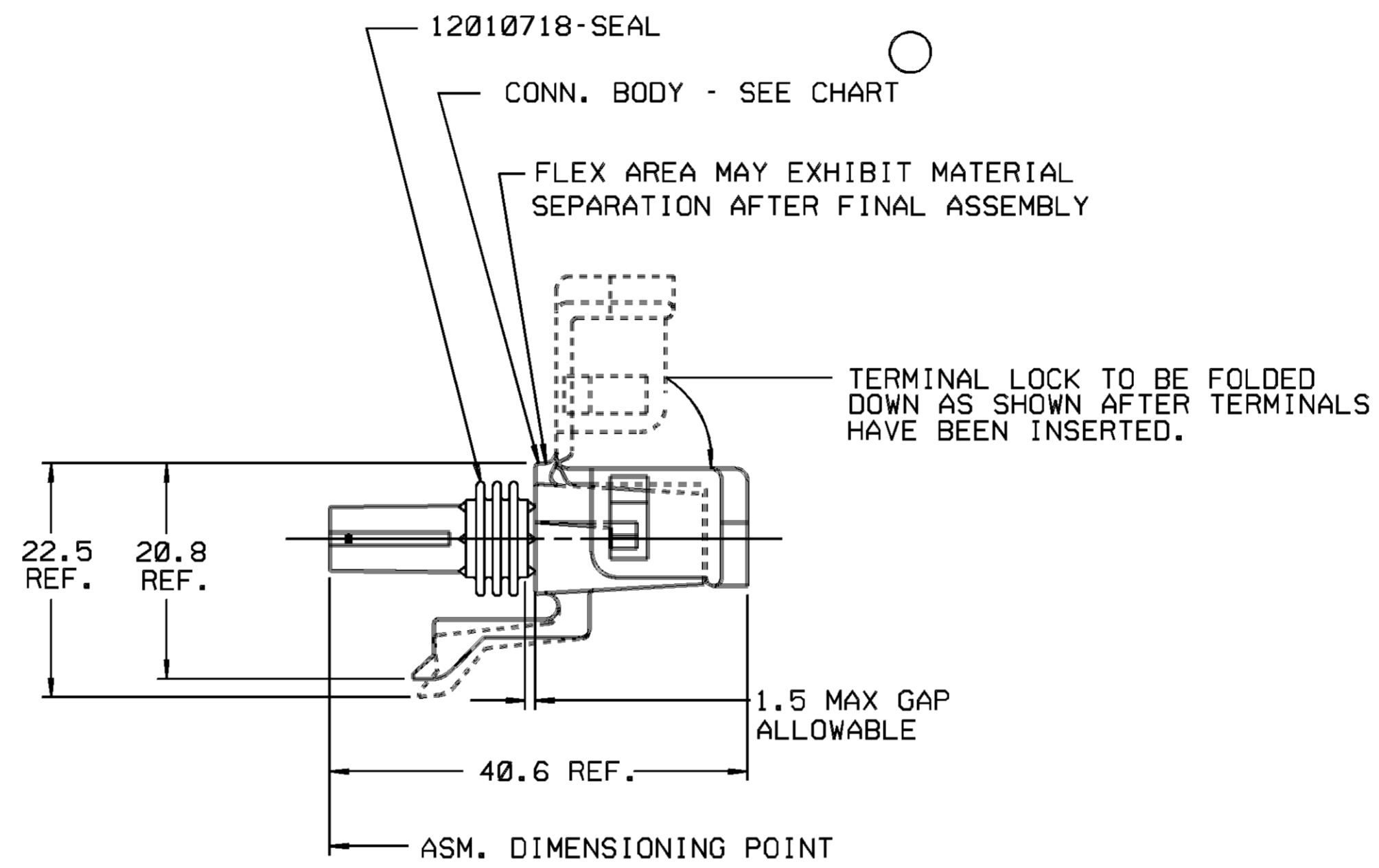


STANDARD CONSTRUCTION



OPTIONAL CONSTRUCTION

CABLE END VIEW OF CONN. BODY



12010718-SEAL

CONN. BODY - SEE CHART

FLEX AREA MAY EXHIBIT MATERIAL SEPARATION AFTER FINAL ASSEMBLY

TERMINAL LOCK TO BE FOLDED DOWN AS SHOWN AFTER TERMINALS HAVE BEEN INSERTED.

22.5 REF.  
20.8 REF.

1.5 MAX GAP ALLOWABLE

40.6 REF.

ASM. DIMENSIONING POINT

- NOTES**— 1. USE FEMALE TERMINAL 12089188 OR EQUIVALENT FOR "IN LINE" APPLICATIONS. USE MALE TERMINAL 12089040 OR EQUIVALENT FOR PANEL MOUNT APPLICATIONS.  
2. USE CABLE SEAL 12015323 OR EQUIVALENT.  
3. MATING PART - SEE CHART.  
4. WHEN PARTS ARE SHIPPED THEY MUST BE PACKED IN PLASTIC BAGS OR SHIPPING CONTAINERS MUST BE LINED WITH PLASTIC LINERS. BAGS OR LINERS MUST BE SEALED TO AVOID ENTRY OF FOREIGN MATTER.  
5. SEALING CODE 3.  
6. WHEN DESIGNING A PART TO MATE TO THIS WEATHER PACK CONNECTOR, REQUEST THE LATEST COPY OF DRAWING NUMBER 12020084 FROM THE PACKARD ELECTRIC DIVISION.

| DATE   | SYM | REVISION RECORD                                                                                                                                                                                               | AUTHORITY | DR  | CK  |
|--------|-----|---------------------------------------------------------------------------------------------------------------------------------------------------------------------------------------------------------------|-----------|-----|-----|
| 230C90 |     | P/N'S 12015796 & 12041332 REDRAWN FROM SEPARATE 'C' SIZE SHEETS AND REVISED - NO REVISION UPDATE REQ'D                                                                                                        | 0137269   | FDS | FDS |
| 07N090 |     | 12103771 - RELEASE TO REV 'A'                                                                                                                                                                                 | 900005    | GC  | GC  |
| 13JN91 |     | ALL PARTS - REVISED NOTE #3, ADDED MATING PARTS TO CHART, CONN. BODY - SEE CHART WAS 12015786 CONN. BODY, 29.3 REF. WAS 29.0 REF., 40.6 REF. WAS 40.3 REF. AND 27.4 REF. WAS 27.40 REF. - NO REV UPDATE REQ'D | 142373    | GC  | GC  |

PART NO.  
**1210 3632**

PACKARD ELECTRIC DIVISION  
GENERAL MOTORS CORPORATION  
WARREN, OHIO

197A  
4471A(2)  
43A  
4274A  
4300A

| ASM PART NUMBER | REV | STATUS | CONNECTOR BODY | STANDARD DESCRIPTION | APPLICATION | REF. TERM/GENDER | MATING PART                      |
|-----------------|-----|--------|----------------|----------------------|-------------|------------------|----------------------------------|
| 12103771        | A   |        | 12103770       | ASM CONN 3M W/P TWR  | DEVICE      | 12089040/M       | DEVICE                           |
| 12041332        | A   |        | 12041326       | ASM CONN 3F W/P TWR  | IN-LINE     | 12089188/F       | 12015442 PLUS<br>12015174 INSERT |
| 12015796        | A   |        | 12015786       | ASM CONN 3F W/P TWR  | IN-LINE     | 12089188/F       | 12015442 PLUS<br>12015174 INSERT |

PED / MICROSTATION  
FILE SPEC: \*\*\*\*USER\*\*\*\*  
DGN SPECIFICATION \*\*\*\*\*  
\*\*\*\*SYTIME\*\*\*\*\*

THIRD ANGLE PROJECTION

CODE NO. 6900  
Q.C. -C-5110  
DWG. DATE 230C90  
SCALE NONE  
EST. NO.  
REFERENCE NO.  
MATERIAL SPEC. SEE DWG.  
NAME ASM CONN 3 W/P TWR  
PART NO. 1210 3632  
SIZE C

TOLERANCE UNLESS OTHERWISE SPECIFIED  
DECIMAL: ANGULAR ±2°  
ONE PLACE ± 0.3  
TWO PLACE ± 0.15

DR. F. DAVID SILVIO 230C90  
CK. F. DAVID SILVIO  
APPR. ALEX R HERMANN DATE 250C90  
APPR.