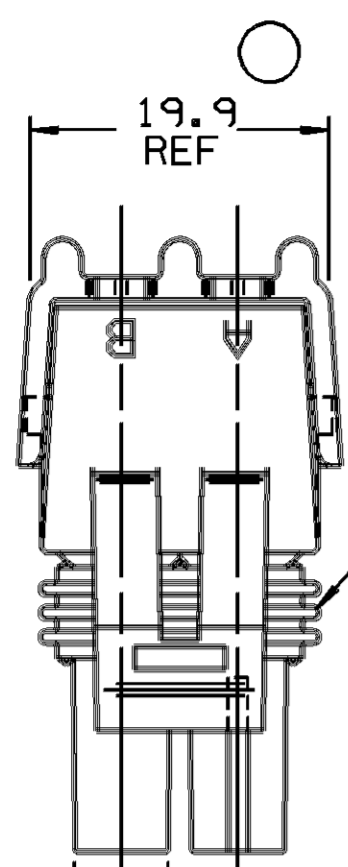


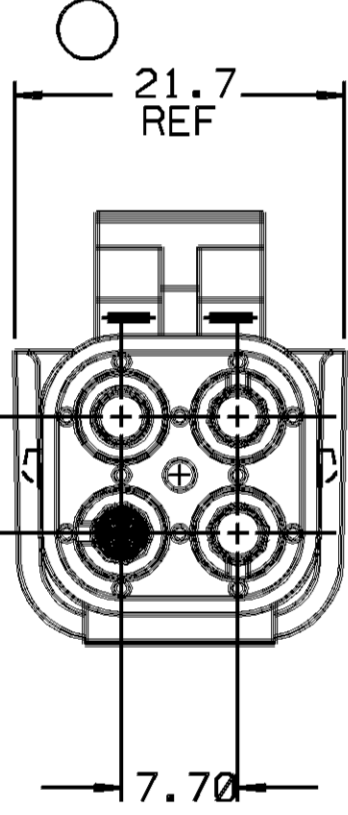
THIS DRAWING AND DESIGN HEREON CONSTITUTES A PROPRIETARY DESIGN OF PACKARD ELECTRIC DIVISION AND IS NOT TO BE DUPLICATED OR REPRODUCED WITHOUT AUTHORITY OF PACKARD ELECTRIC DIVISION.

DO NOT SCALE



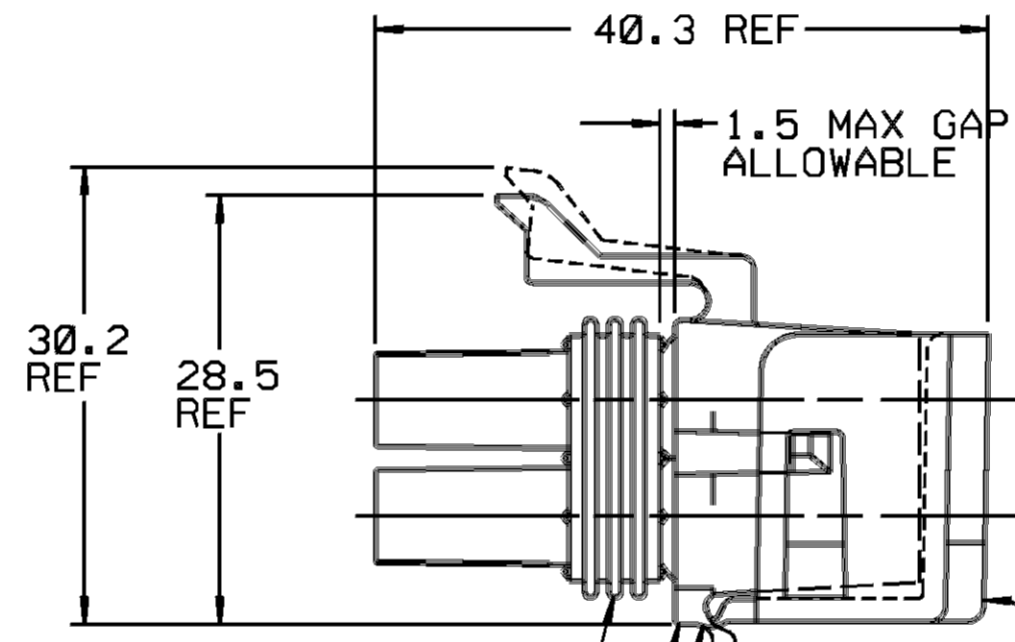
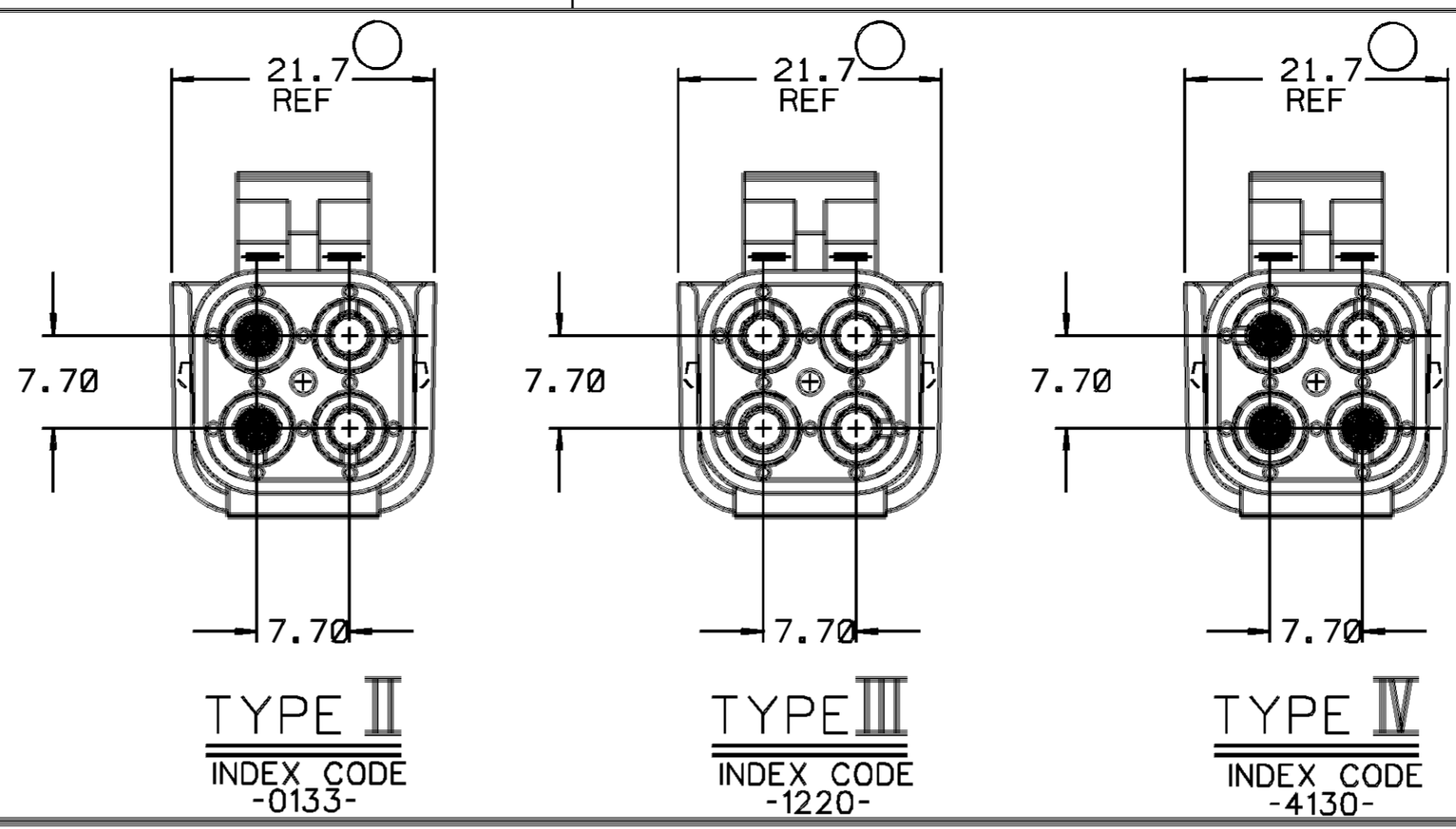
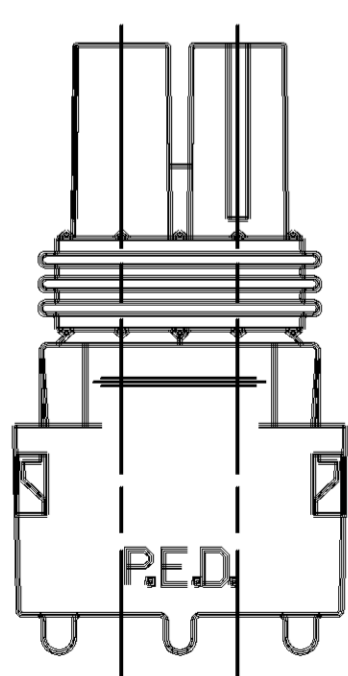
SEALING RIBS MUST BE FREE OF DEFECTS

6.15 DIA - 4 PLCS



INDEX CODE -0134- (ALSO SEE HANDBOOK)

TYPE I



TERMINAL LOCK TO BE FOLDED DOWN AS SHOWN AFTER TERMINALS HAVE BEEN INSERTED

FLEX AREA MAY EXHIBIT MATERIAL SEPARATION AFTER FINAL ASSEMBLY

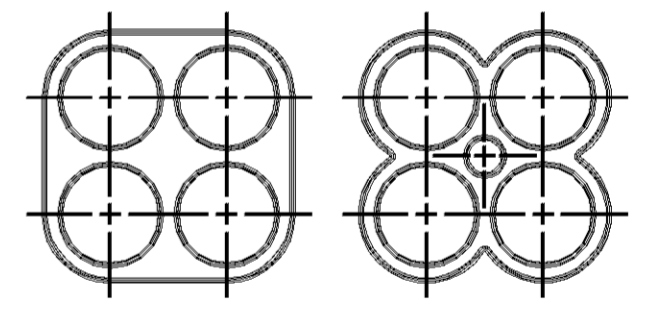
CONNECTOR BODY - SEE CHART

12020220 - SEAL

- NOTES**
1. USE TERMINAL SHOWN IN CHART OR EQUIVALENT.
 2. USE CABLE SEAL 12015323 OR EQUIVALENT.
 3. MATING CONNECTOR - SEE CHART
 4. WHEN PARTS ARE SHIPPED, THEY MUST BE PACKED IN PLASTIC BAGS OR SHIPPING CONTAINERS MUST BE LINED WITH PLASTIC LINERS. BAGS OR LINERS MUST BE SEALED TO AVOID ENTRY OF FOREIGN MATTER.
 5. SEALING CODE 3.
 6. WHEN DESIGNING A PART TO MATE TO THIS WEATHER PACK CONNECTOR, REQUEST THE LATEST COPY OF DRAWING NUMBER 12020084 FROM THE PACKARD ELECTRIC DIVISION.

DATE	SYM	REVISION RECORD	AUTHORITY	DR	CK
040C90		12010503, 12015390, 12075798 & 12020232 - REDRAWN FROM SEPARATE			
		'C' SIZES, REVISED NOTE #1, ADDED			
		NOTE #6 & CHART - REVISION LEVEL			
		REMAINS AT 'A'	136033	BKD	BKD
040C90		RELEASED	900005	BKD	BKD
040C90		12103419 - RELEASED TO REV 'A'	900005	BKD	BKD
28N090		ALL PARTS - INDEX CODE ADDED 4 PLCS., REVISED GRAPHICS-NO REV UPDATE REQ'D	038506	CJS	CJS
12JL91		ALL PARTS - 19.9 REF WAS 19.90 REF, 21.7 REF WAS 21.3 REF, REVISED NOTE #3 - NO REV UPDATE REQ'D	143236	GC	

PART NO. 1210 3390



STANDARD CONSTRUCTION OPTIONAL CONSTRUCTION

CABLE END VIEW OF CONNECTOR BODY

PED / MICROSTATION	FILE SPEC: ****USER**** DGN#SPECIFICATION***** **SYTIME*****
THIRD ANGLE PROJECTION	METRIC DIMENSIONS ARE IN MILLIMETERS UNLESS OTHERWISE SPECIFIED.
CODE NO. 6900	TOLERANCE UNLESS OTHERWISE SPECIFIED: ANGULAR ± 2
Q.C. -C-5110	ONE PLACE ± 0.3 TWO PLACE ± 0.15
DWG. DATE 040C90	SCALE NONE
DR. BRIAN K. DEW	040C90
EST. NO.	CK. BRIAN K. DEW
REFERENCE NO.	APPR. ALEX R. HERMANN
	DATE 150C90

ASSEMBLY PART NUMBER	REV	STATUS	CONNECTOR BODY	STANDARD DESCRIPTION	APPLICATION	REFERENCE TERMINAL/GENDER	TYPE	NUMBER OF CAVITIES	MATING PART
12103419	A		12103418	ASM CONN 4M W/P TWR	DEVICE	12089040 / MALE	III	4	12015027
12020232	A		12020221	ASM CONN 1M W/P TWR	DEVICE	12089040 / MALE	IV	1	12015026
12015798	A		12015788	ASM CONN 4F W/P TWR	INLINE	12089188 / FEMALE	EIII	4	12015024
12015390	A		12015266	ASM CONN 2M W/P TWR	DEVICE	12089040 / MALE	II	2	12015481
12010503	A		12015051	ASM CONN 3M W/P TWR	DEVICE	12089040 / MALE	I	3	12015026

MATERIAL SPEC.	(SEE DRAWING)
NAME	ASM CONN 4 W/P TWR
PART NO.	1210 3390
SIZE	C

PACKARD ELECTRIC DIVISION
GENERAL MOTORS CORPORATION
WARREN, OHIO