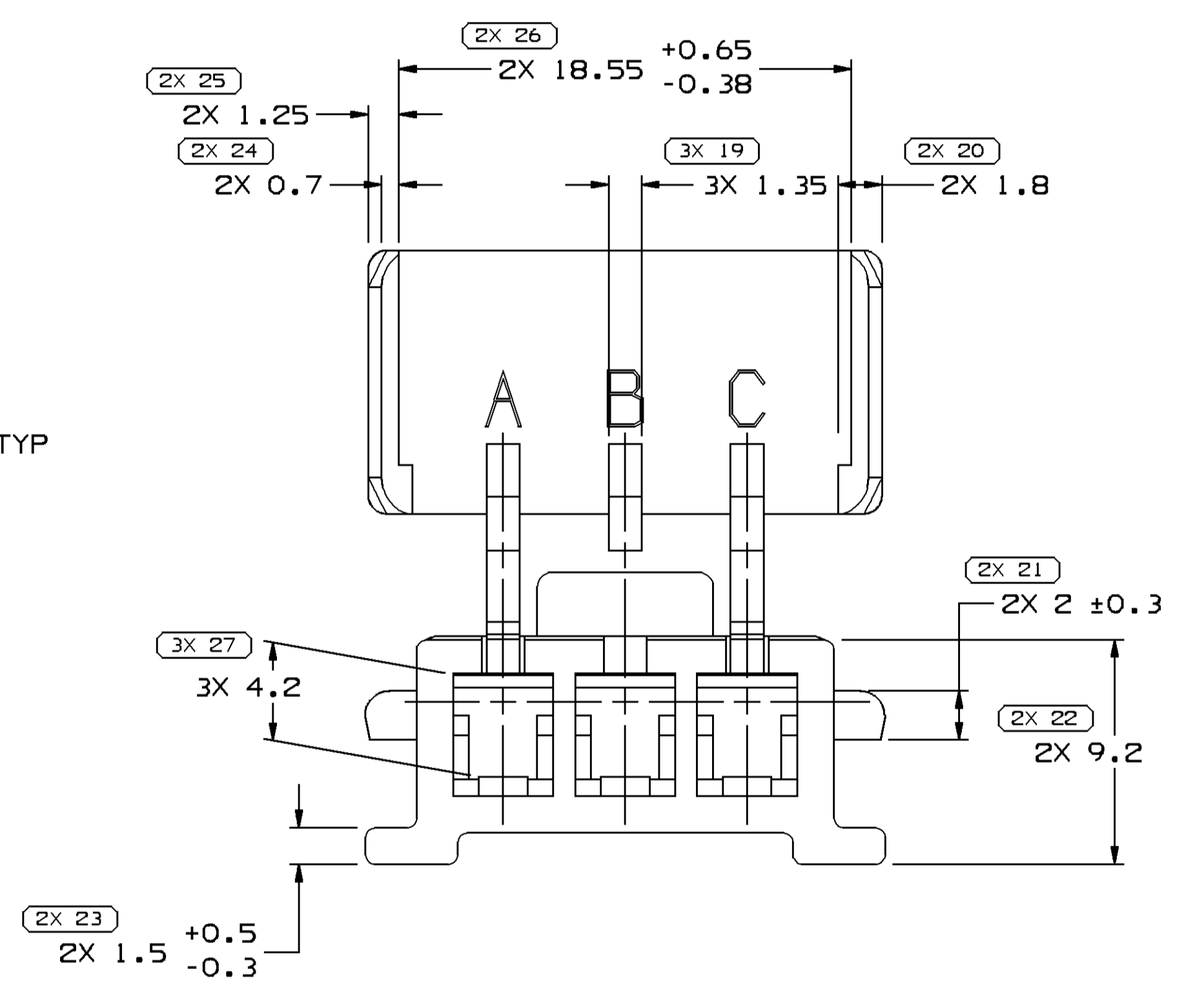
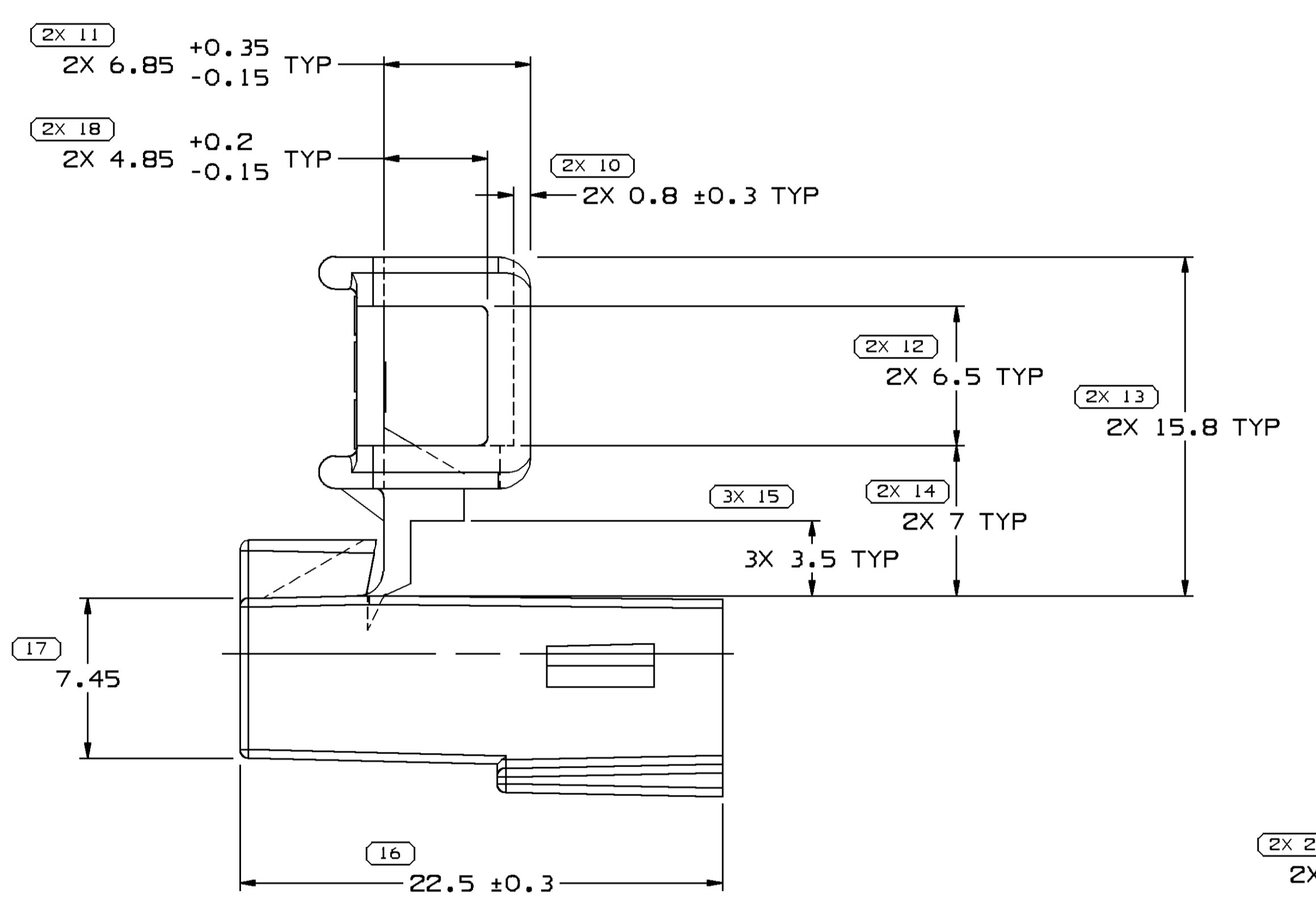
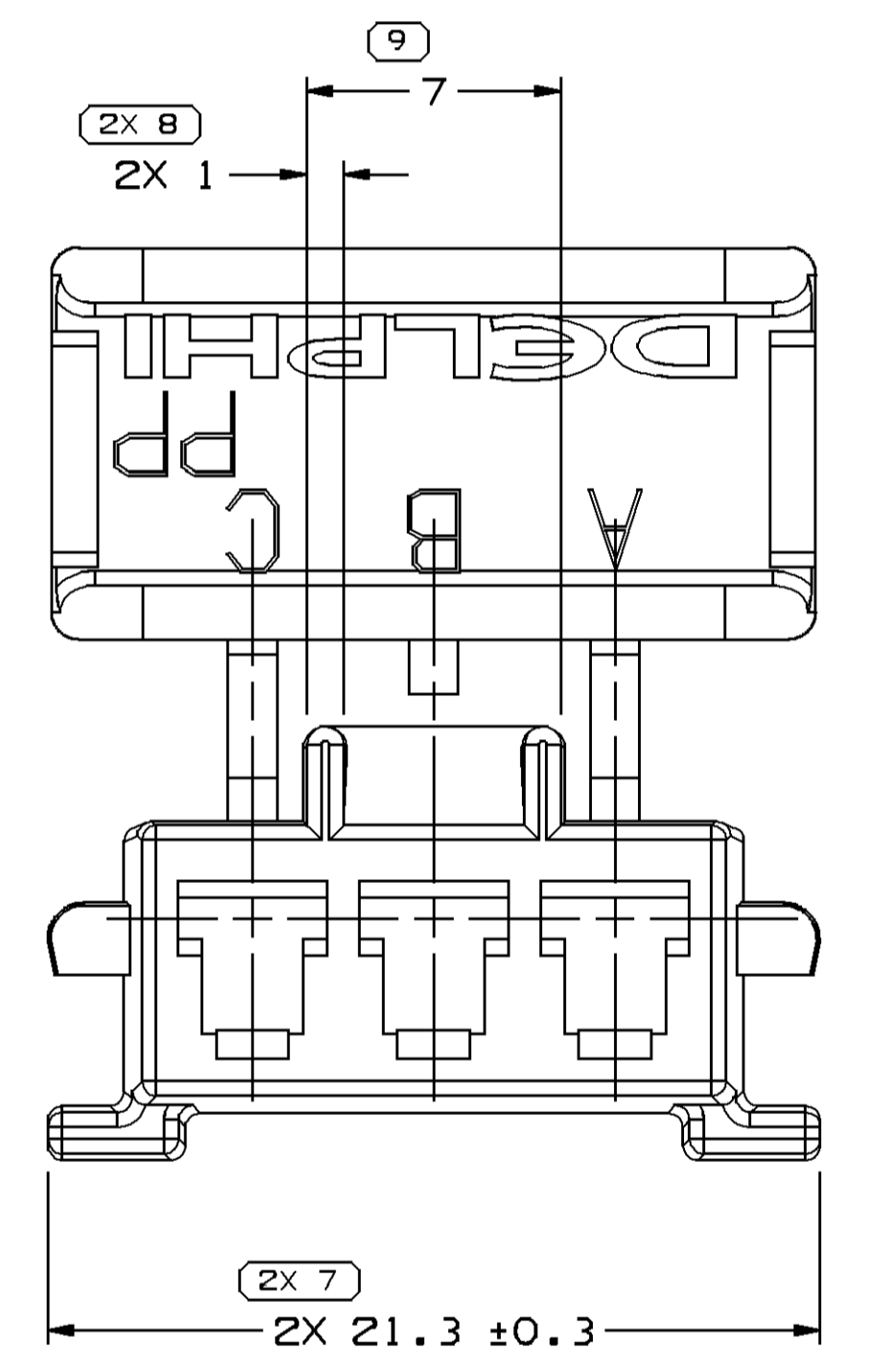
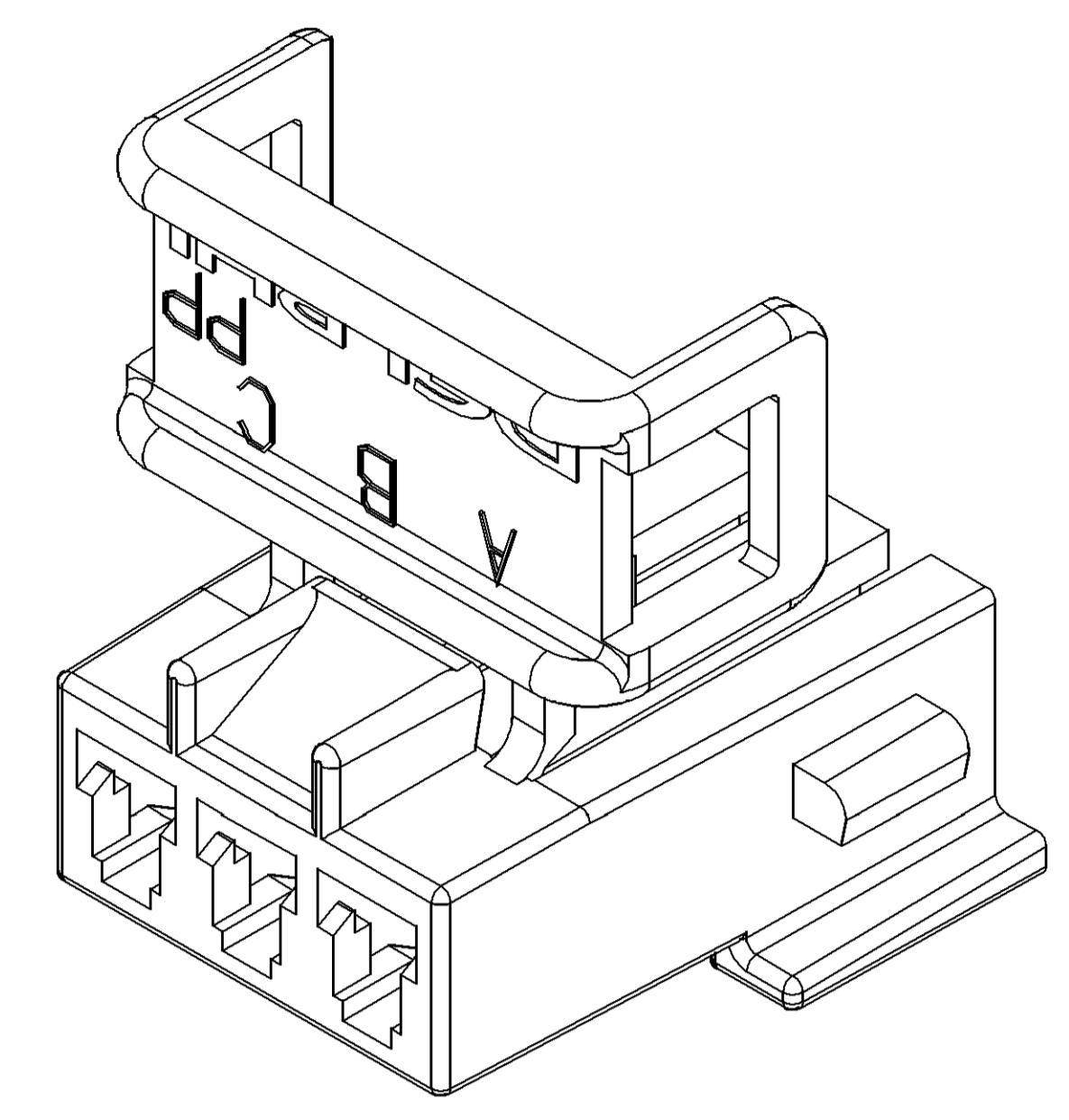
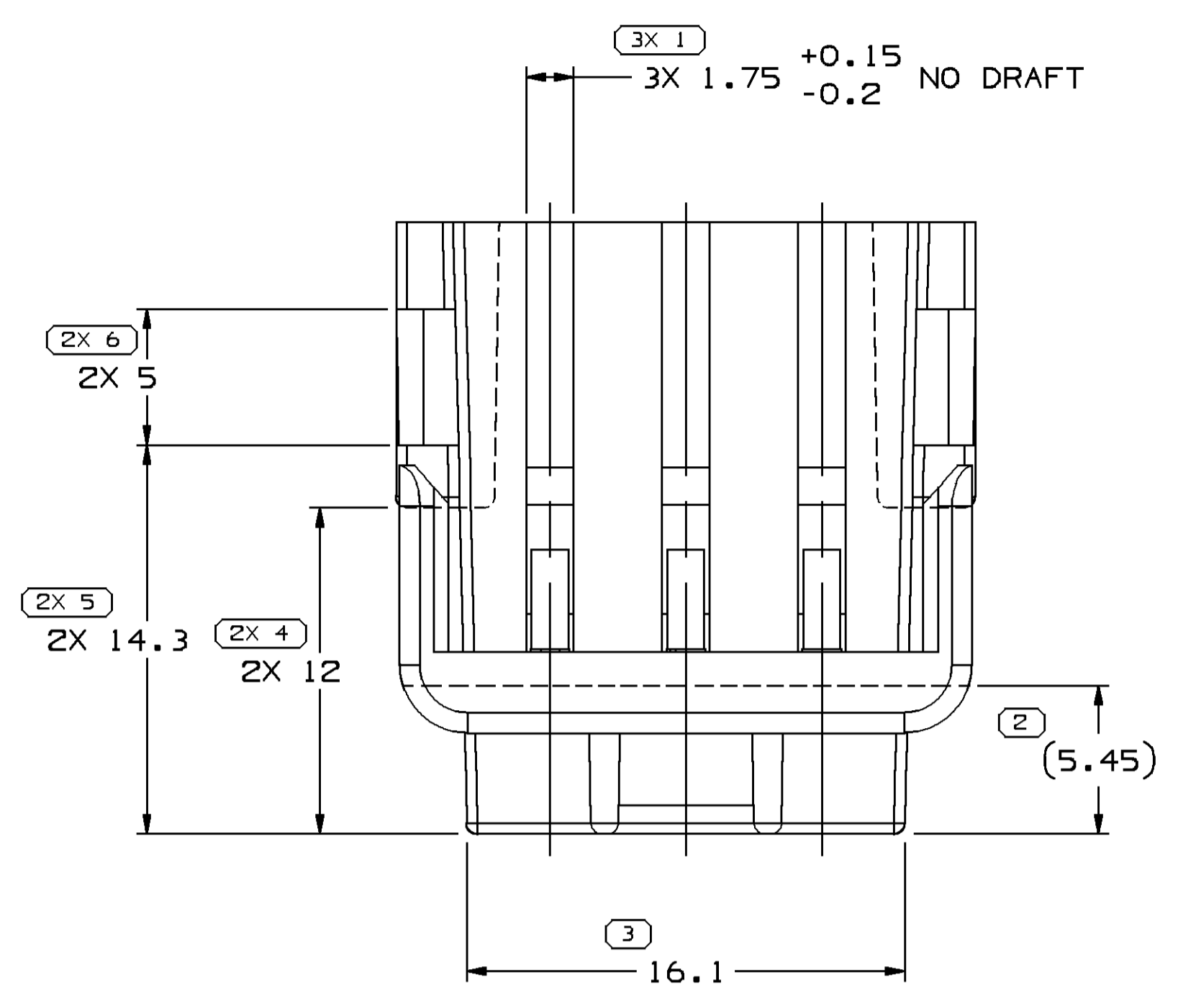


SYMBOL DEFINITION		MISSING SYMBOLS	
A DIMENSION WITHOUT AN INSPECTION REPORT SYMBOL () DOES NOT REQUIRE INSPECTION. IT MAY BE CONTROLLED ON THE INDIVIDUAL COMPONENT DRAWING.	TOTAL NO OF INSPECTIONS REQUIRED	NO MISSING SYMBOL NUMBER	
	53		
	LAST NO. USED		
	27		

DWG STATUS				REVISION HISTORY		AUTH	DR	APVD	APV2	
DATE	STG	REV	N/P	CHG	ZONE					
13MR02	R	01	-	-		ALL PARTS - REDRAWN TO PD, ADDED OPT CONSTRUCTION AND MATERIAL RECYCLING CODE NOTES & REVISED MATERIAL SPEC	222568	EDV	EDV	RC
31JA03	R	02	-	-		ALL PARTS - ADDED NOTE B	235964	AFM	AFM	RC
19AU04	R	03	-	-		ALL PARTS - UPDATED RECYCLE CODE NOTE AND UPDATED FORMAT 12066440 - MATERIAL WAS M0661008 PP BLU 12020397 - MATERIAL WAS M2097001 PP BLK	257394	EES	EES	ET
19SE05	R	04	-	-		ALL PARTS - REVISED CAVITY DESIGN	272056	RH	RH	MGR
03AP07	R	05	-	-		12066440 - OBSOLETE	401057	ACS	FRG	WTM
05DE12	R	06	-	-		12020397 - ADDED APPLICATION DATA NOTE	420667	DCH	JVM	JRV



- NOTES
- UNLESS OTHERWISE SPECIFIED AND/OR INDICATED: DIMENSIONS ARE TO FACE OF VIEW SHOWN AND AUTOMATICALLY ROUNDED BY COMPUTER FOR INSPECTION (SEE MATH MODEL FOR PRECISE DIMENSIONS). FOR ALL OTHER DIMENSIONS NOT SHOWN BUT REQUIRED FOR TOOL BUILD, SEE MATH MODEL FOR PRECISE TOOL PATH DATA.
 - MATERIAL RECYCLING CODE PER ISO 11469. (2,3)X(0,1) RAISED CHARACTERS AS SHOWN TO BE LOCATED ON ANY EXTERIOR SURFACE. OPTIONAL CONSTRUCTION TO BE NO MATERIAL RECYCLING CODE.
 - THIS PART IS NOT CONTROLLED FOR AUTOMATIC FEEDING.
 - (2,3)X(0,1) RAISED DELPHI CORPORATE BRAND TO BE LOCATED ON ANY EXTERIOR SURFACE, PREFERABLY VISIBLE AT FINAL ASSEMBLY. OPTIONAL CONSTRUCTION TO BE "PED" OR NO LOGO.
 - SECONDARY LOCK HINGE FLEX AREA MAY EXHIBIT MATERIAL SEPARATION AFTER CLOSING AT FINAL ASSEMBLY.
 - FOR APPLICATION DATA SEE THE INDIVIDUAL APPLICATION DRAWINGS.

PART NO	REV	N/P	MATERIAL SPECIFICATION AND COLOR	VOLUME CM ³
12066440	04	AA	M2097008 PP IM BLU	2.159
12020397	04	AA	M2097001 PP IM BLK	2.159

DIMENSIONAL RANGE (MM)	CHART SET
FROM > 0	> 20
> 20	> 30
> 30	> 40
> 40	> 50
> 50	> 60
> 60	> 70
> 70	> 80
> 80	> 90
> 90	> 100
> 100	> 150
> 150	> 200
> 200	> 250
> 250	> 300
> 300	> 400
> 400	> 500

DELPHI
DELPHI PACKARD ELECTRICAL/ELECTRONIC ARCHITECTURE
WARREN, OH
COPYRIGHT 1986 DELPHI CORPORATION AND/OR ITS AFFILIATES. ALL RIGHTS RESERVED.
THIS DRAWING IS THE PROPERTY OF DELPHI CORPORATION AND CONTAINS DELPHI CONFIDENTIAL INFORMATION. THE REPRODUCTION, DISTRIBUTION AND UTILIZATION OF THIS DOCUMENT OR ITS CONTENTS OR DATA, AS WELL AS COMMUNICATION OF ANY CONTENT TO OTHERS, WITHOUT EXPRESS AUTHORIZATION, IS PROHIBITED.

DATE: 07-Dec-12 Time: 21:57

OR: J. REEVES, G. FERANCE, D. GARCAR, APV04

MATERIAL: SEE CHART

DRAWING NUMBER: 12066441

SIZE: A0 SCALE: 5:1 FRAME NO: 1 OF 1 SHEET NO: 1 OF 1 STG: R REV: 06