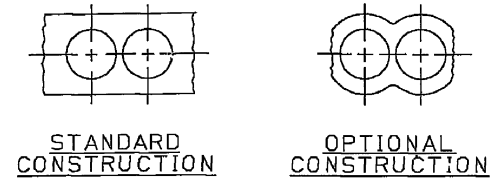
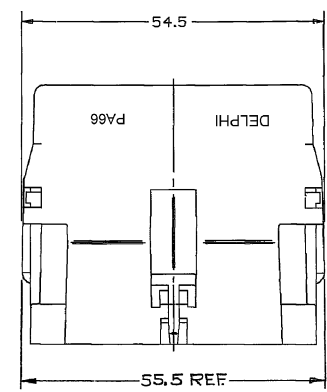
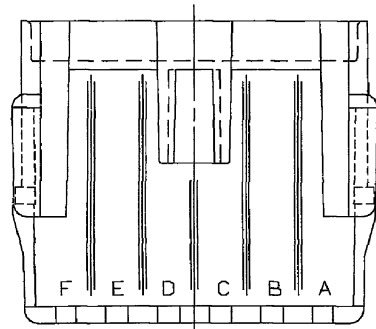
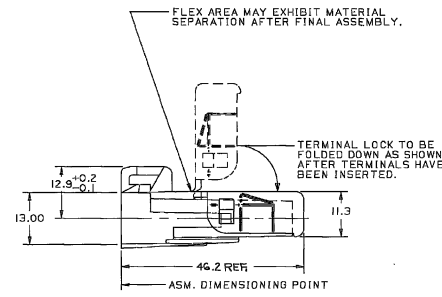
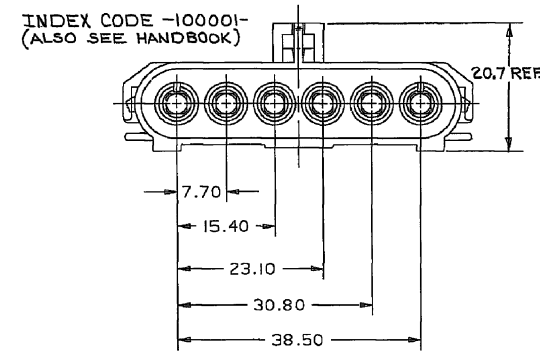


DWG STATUS			ZONE			REVISION HISTORY			AUTH		
DATE	BY	CHK	REP	CHG	ZONE	NO	DESCRIPTION	DATE	BY	CHK	APPV
10.02	R	CA	-	-	-	1	CLEARED REV COI. & MAT'L SPEC WAS R 87547 NYLON 6- BLK - ADDED DELPHI LOGO & NOTES	227801	ARA	RHM	ET
11.03	R	DA	-	-	-	2	MAT'L SPEC WAS M3592002 PAB BLK & REVISED NOTES	242973	H-I	JGR	ET



CABLE END VIEW OF CONN BODY



- NOTES
- (2 3) X (0 1) RAISED DELPHI CORPORATE BRAND TO BE LOCATED ON ANY EXTERIOR SURFACE, PREFERABLY VISIBLE AT FINAL ASSEMBLY. OPTIONAL CONSTRUCTION TO BE "PED" OR NO LOGO.
 - MATERIAL RECYCLING CODE >PA66< PER SAE J1344 (2 3) X (0 1) RAISED CHARACTERS AS SHOWN TO BE LOCATED ON ANY EXTERIOR SURFACE. OPTIONAL CONSTRUCTION TO BE NO MATERIAL RECYCLING CODE.
 - USE TERMINAL 12089040 OR EQUIVALENT
 - MATING CONNECTOR IS 12020787 / 12020926
 - USE 12020833 LOCK OR EQUIVALENT
 - SEALING CODE 3
 - USE 12015323 CABLE SEAL OR EQUIVALENT
 - CAUTION DO NOT ATTEMPT TO COPY THIS DRAWING WHEN DESIGNING A MATING PART TO A WEATHER PACK CONNECTOR PLEASE REQUEST THE LATEST COPY TO DRAWING NUMBER 12020984 FROM THE PACKARD ELECTRIC DIVISION

DWG TYPE: PART DRAWING

STYLE: _____

VOLUME (CM): _____

ROLLING: 6900.6901

DISTR CODE: D

UNLESS OTHERWISE SPECIFIED THIS DRAWING IS A RECORD COPY AND SHALL BE KEPT BY THE ORIGINAL ENGINEERING AND DESIGN GROUP. THIS DRAWING IS NOT TO BE REPRODUCED OR COPIED FOR ANY OTHER PURPOSE WITHOUT THE WRITTEN PERMISSION OF THE ORIGINAL ENGINEERING AND DESIGN GROUP.

REFERENCE: _____

THIRD ANGLE PROJECTION

DELPHI
DELPHI PACKARD ELECTRIC SYSTEMS
WARREN, MI

DATE: _____

DR: _____

APPROV: L. RUBINIC 06NOB1

APPROV: T. MUDREY 13NOB1

APPROV: K. GRZENA 16NOB1

APPROV: _____

SUBSTANCE OF CONCERN AND RECYCLED CONTENT PER DELPHI 1884881

MATERIAL: M3592001 PA66 HS IM BLK

DRAWING NAME: CONN 6M W/P SHD BLK SEALED

DRAWING NUMBER: 12020786

SIZE: AD SCALE: NONE FRAME NO: 1 OF 1 SHEET NO: 1 OF 1 REV: R D4