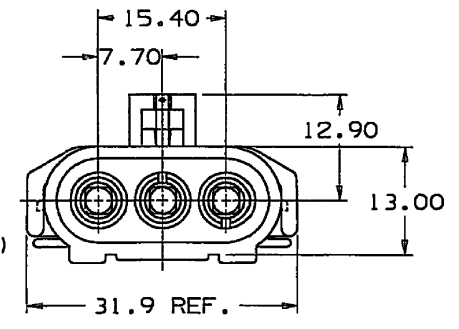
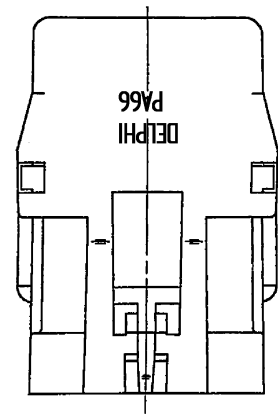
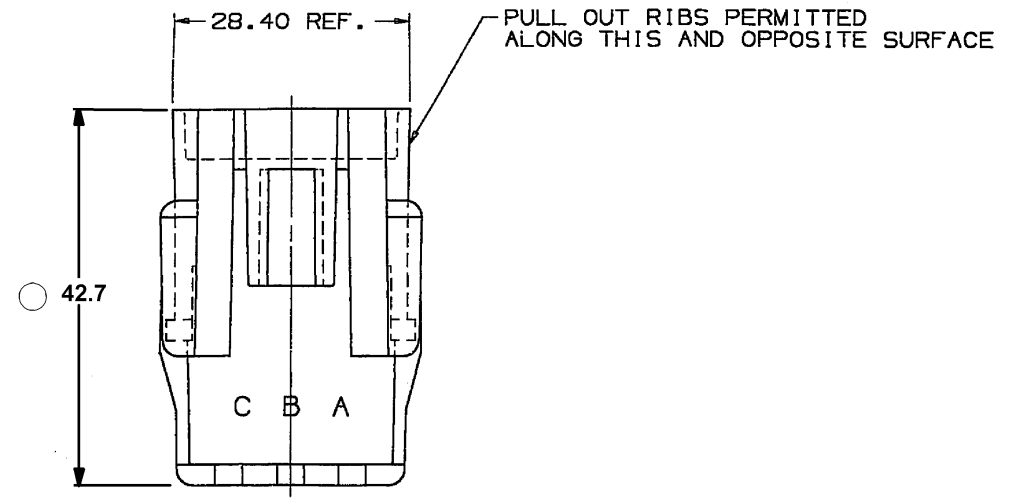
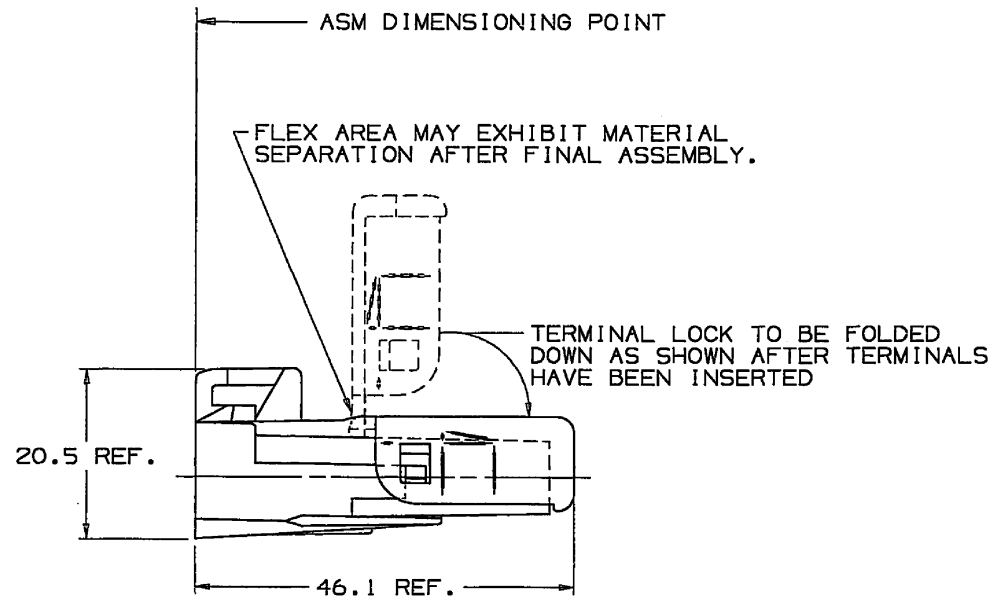


DWG STATUS				REVISION HISTORY		AUTH	
DATE	BY	W/P	CHK	ZONE	NO	DR	APV/APPV
14MY02	R	01	-	-	ALL PARTS - CREATED PD, REVISED MATL SPEC & ADDED LOGO & MATL RECYCLING NOTES	223088	JGR EDV ET
14ND02	R	02	-	-	12020827 - MATL SPEC WAS M3596002 PAB BLK & 12034350 - MATL SPEC WAS M3596003 PAB GRA MD	233545	JGR EDV ET
16MR06	R	03	-	-	12020827 - MATL SPEC WAS M3596001	278447	GPS JUM GG
07MR08	R	04	-	-	12020827 - CORRECTED CN 278447 TO REV 04AA; MATL SPEC WAS M3596004	404313	MOE OGI MGE
20DC08	R	05	-	-	ALL PARTS - ADDED DIM 42.7; REVISED MATL SPEC CALLOUT	406473	JS JS BLS



INDEX CODE
-013-
(ALSO SEE HANDBOOK)



- NOTES —
- USE TERMINAL 12089040 OR EQUIVALENT.
 - MATING CONNECTOR IS 12020829 OR EQUIVALENT.
 - USE 12020833 LOCK OR EQUIVALENT.
 - SEALING CODE 3.
 - USE 12015323 CABLE SEAL OR EQUIVALENT.
 - CAUTION: DO NOT ATTEMPT TO COPY THIS DRAWING WHEN DESIGNING A MATING PART TO A WEATHER PACK CONNECTOR. PLEASE REQUEST THE LATEST COPY OF DRAWING NUMBER 12020084 FROM THE PACKARD ELECTRIC DIVISION.
 - (2.3) X (0.1) RAISED DELPHI CORPORATE BRAND TO BE LOCATED ON ANY EXTERIOR SURFACE, PREFERABLY VISIBLE AT FINAL ASSEMBLY. OPTIONAL CONSTRUCTION TO BE "PED" OR NO LOGO
 - MATERIAL RECYCLING CODE >PA66< PER SAE J1344. (2.3) X (0.1) RAISED CHARACTERS AS SHOWN TO BE LOCATED ON ANY EXTERIOR SURFACE. OPTIONAL CONSTRUCTION TO BE NO MATERIAL RECYCLING CODE.

PART NO	REV	N/P	STATUS	MATERIAL SPEC & COLOR	APPLICATION	REF. TERM/GENDER	ASM.PART NUMBER
12034350	04	AA		POLYAMIDE COMPOUND GRAY	IN - LINE	12089040/MALE	-
12020827	04	AC		POLYAMIDE COMPOUND BLACK	IN - LINE	12089040/MALE	12034057

DWG TYPE: PART DRAWING

STYLE: _____

VOLUME (CM): _____

DRYING: 6900

UNLESS OTHERWISE SPECIFIED:
THIS DRAWING IS IN ACCORDANCE WITH THE DELPHI POLYMER AND FINISHING SPECIFICATIONS AND IS SUBJECT TO THE DELPHI POLYMER AND FINISHING SPECIFICATIONS. THE DELPHI POLYMER AND FINISHING SPECIFICATIONS ARE AVAILABLE FROM THE DELPHI POLYMER AND FINISHING SPECIFICATIONS DIVISION. THE DELPHI POLYMER AND FINISHING SPECIFICATIONS DIVISION IS LOCATED AT 1000 DELPHI DRIVE, TROY, MI 48060-0001.

DO NOT SCALE

SE SOLID EDGE

DELPHI
DELPHI PACKARD ELECTRIC SYSTEMS
WARREN, OH

DATE: _____

DR: J. GAVALDON

APPROV: E. VAZQUEZ

APPROV: E. TRACEY

APPROV: _____

APPROV: _____

SUBSTANCES OF CONCERN AND RECYCLED CONTENT PER DELPHI A 1004001

MATERIAL: SEE CHART

DRAWING NAME: TAXI CONN 3M W/P SHD

DRAWING NUMBER: 12034357

ISS: A0

SCALE: N/A

FRAME NO: 1 OF 1

SHEET NO: 1 OF 1

REV: R

REV: 04