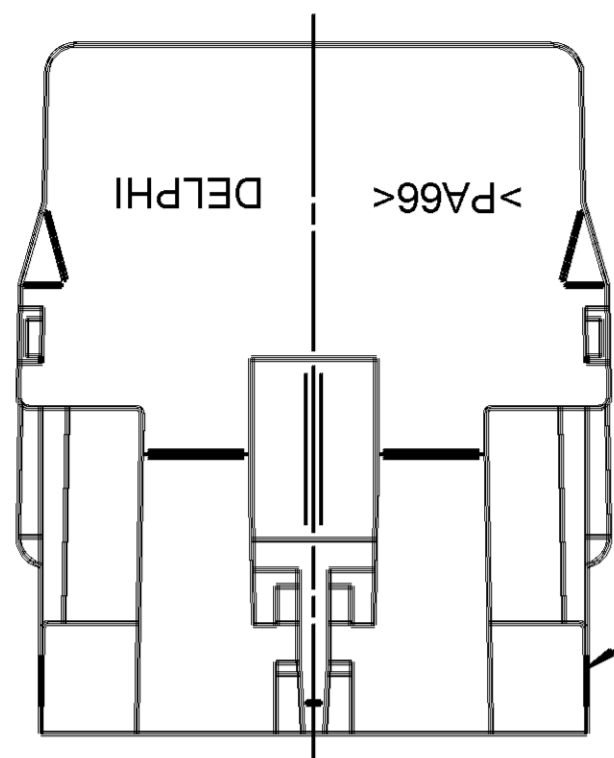


D

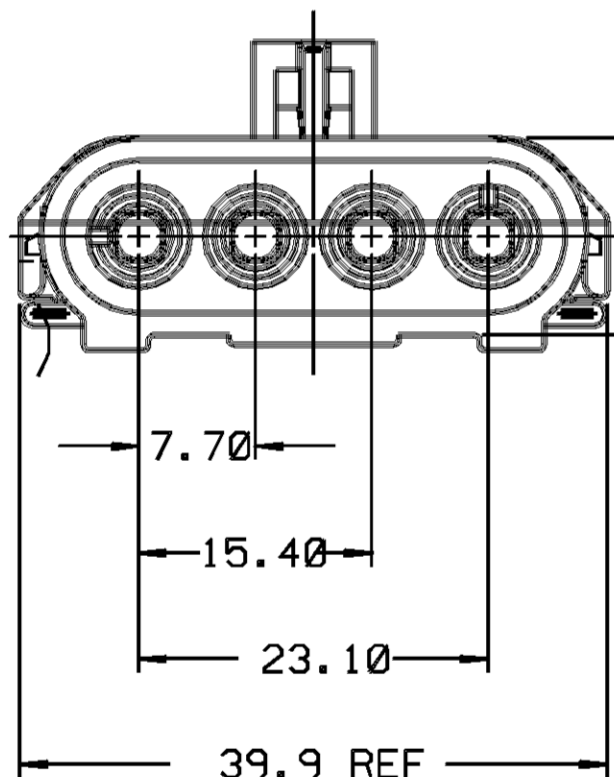
THIS DRAWING AND DESIGN HEREON CONSTITUTES A PROPRIETARY DESIGN OF PACKARD ELECTRIC DIVISION AND IS NOT TO BE DUPLICATED OR REPRODUCED WITHOUT AUTHORITY OF PACKARD ELECTRIC DIVISION.

DO NOT SCALE

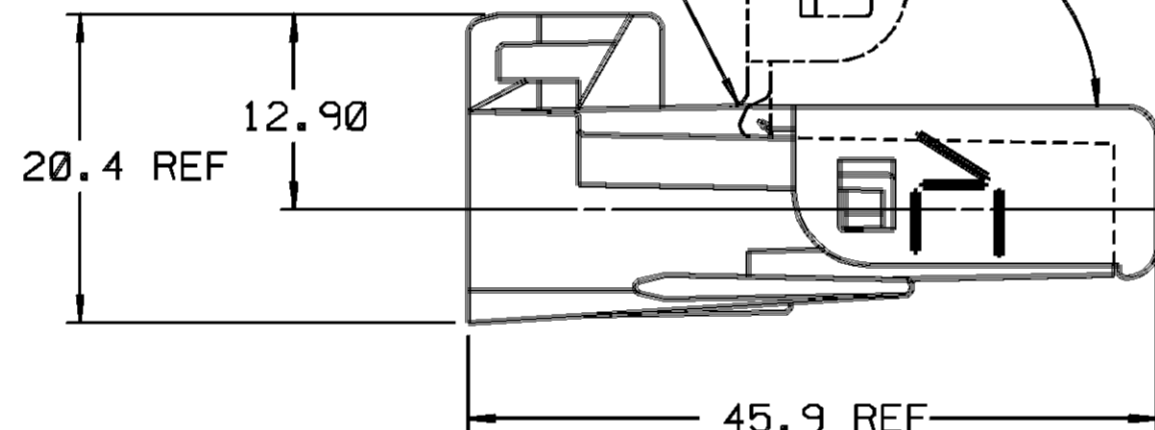


PULL OUT RIBS PERMITTED ALONG THIS AND OPPOSITE SURFACE

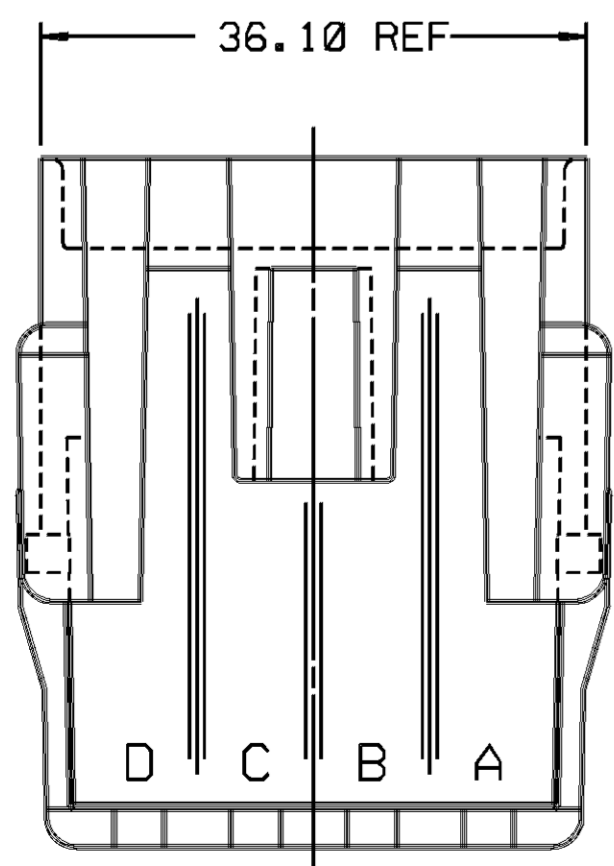
FLEX AREA MAY EXHIBIT MATERIAL SEPARATION AFTER FINAL ASSEMBLY



INDEX CODE - 4001 - (ALSO SEE HANDBOOK)



TERMINAL LOCK TO BE FOLDED DOWN AS SHOWN AFTER TERMINALS HAVE BEEN INSERTED



- NOTES**
- 1. USE MALE TERMINAL 12089040 OR EQUIVALENT FOR 'PANEL MOUNT' APPLICATIONS.
  - 2. MATING CONNECTOR IS 12020831/12010832 OR EQUIVALENT.
  - 3. USE 12020833 LOCK OR EQUIVALENT.
  - 4. SEALING CODE 3.
  - 5. USE 12015323 CABLE SEAL OR EQUIVALENT.
  - 6. **CAUTION:** DO NOT ATTEMPT TO COPY THIS DRAWING WHEN DESIGNING A MATING PART TO A WEATHER PACK CONNECTOR. PLEASE REQUEST THE LATEST COPY OF DRAWING NUMBER 12020084 FROM THE PACKARD ELECTRIC DIVISION.
  - 7. MATERIAL RECYCLING CODE >PA66< PER SAE J1344. (2.3) X (0.1) RAISED CHARACTERS AS SHOWN TO BE LOCATED ON ANY EXTERIOR SURFACE. OPTIONAL CONSTRUCTION TO BE NO MATERIAL RECYCLING CODE.
  - 8. (2.3) X (0.1) RAISED DELPHI CORPORATE BRAND TO BE LOCATED ON ANY EXTERIOR SURFACE, PREFERABLY VISIBLE AT FINAL ASSEMBLY. OPTIONAL CONSTRUCTION TO BE "PED" OR NO LOGO.

DATE	SYM	REVISION RECORD	AUTHORITY	DR	CK
09NO90	D2	REDRAWN WITH NO PHYSICAL CHANGE			
		REMOVED 'PATENT PENDING', ADDED			
		INDEX CODE AND NOTE 6 AND REVISED			
		NOTES 1 & 2 AND PART NAME	137285	BKD	BKD
11JL91	D3	REMOVED 39.10 REF; ADDED 39.9 REF,			
		20.4 REF & PULL RIB NOTE; REVISED			
		NOTE *2 & 45.9 REF WAS 45.5 REF	143251	JK	
07OC02	05	ADDED DELPHI LOGO & NOTES			
		(2 PLCS) AND REVISED MAT'L			
		SPEC	231590	AA	AA

PART NO. 1202 0830

PACKARD ELECTRIC DIVISION  
GENERAL MOTORS CORPORATION  
WARREN, OHIO

-0-  
304  
197A

PED / MICROSTATION		FILE SPEC: ****USER**** DGN SPECIFICATION***** ****SYTIME*****
THIRD ANGLE PROJECTION		METRIC DIMENSIONS ARE IN MILLIMETERS UNLESS OTHERWISE SPECIFIED.
CODE NO. 6900	TOLERANCE UNLESS OTHERWISE SPECIFIED DECIMAL: ONE PLACE ± 0.3 TWO PLACE ± 0.15 ANGULAR ± 2	
DWG. DATE 03SE81	SCALE NONE	DR. J. THIESS 07DE81
EST. NO.	CK. D. THIRY	DATE 12JA82
REFERENCE NO. 12020830 'E' SIZE	APPR. A. SPISAK	DATE 16N081
	APPR. J. YURTIN	DATE 23N081
MATERIAL SPEC. M3592001 PA66 HS IM BLK		
NAME CONN 4M W/P SHD SLD		
PART NO. 1202 0830	OUTLINE DRAWING	SIZE C