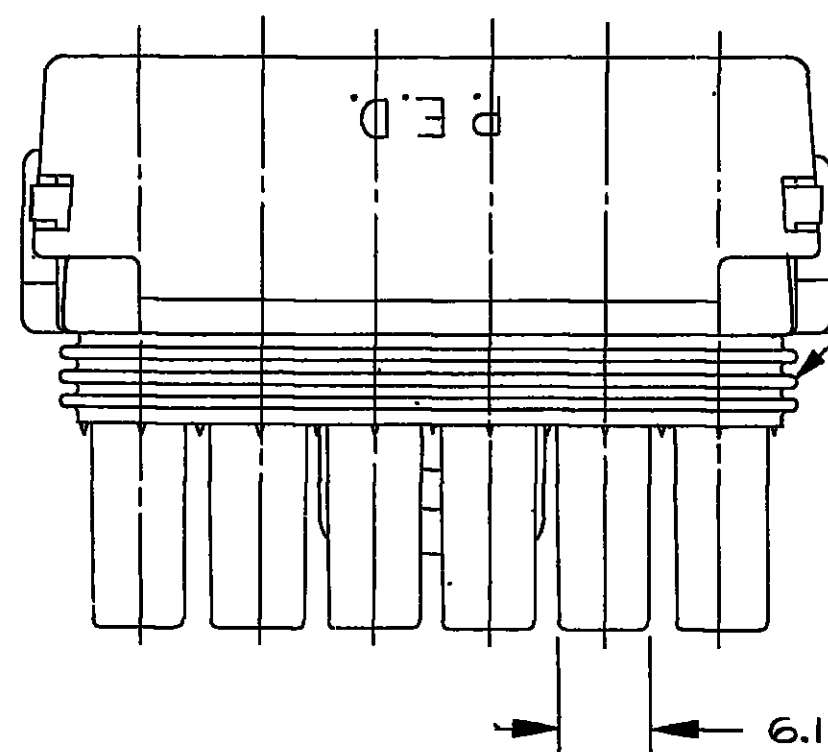


DO NOT SCALE

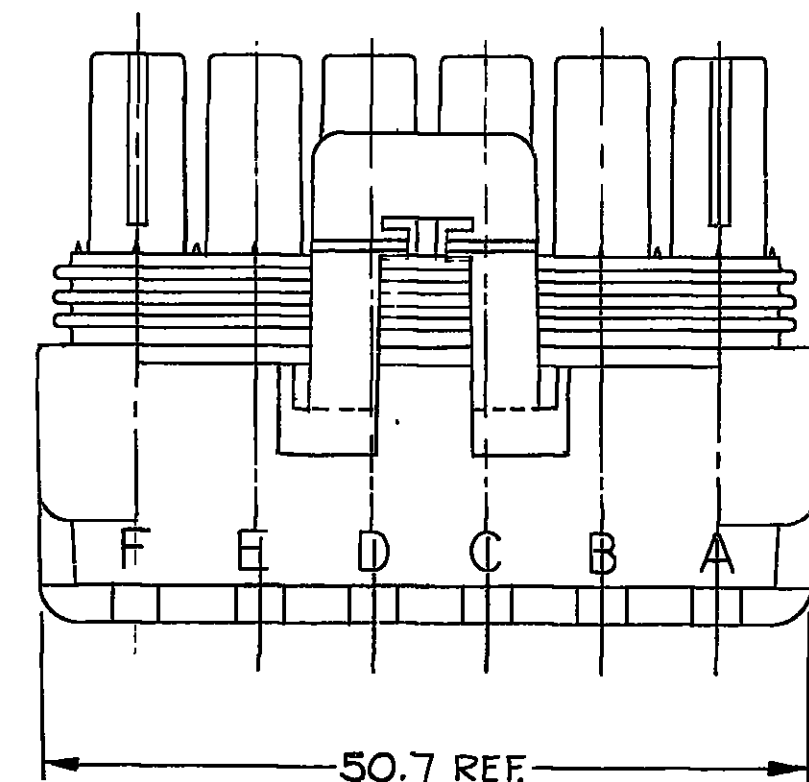
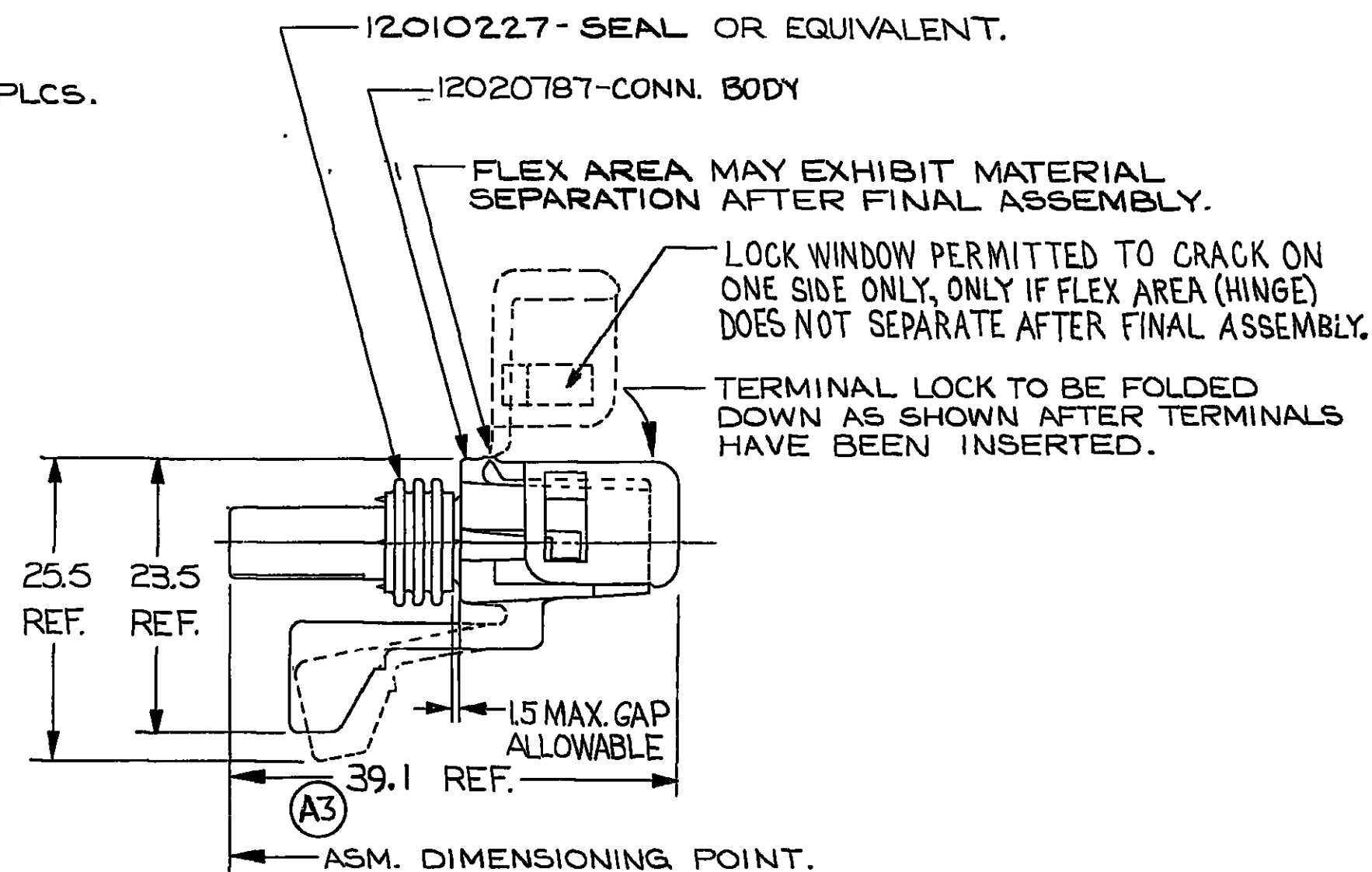
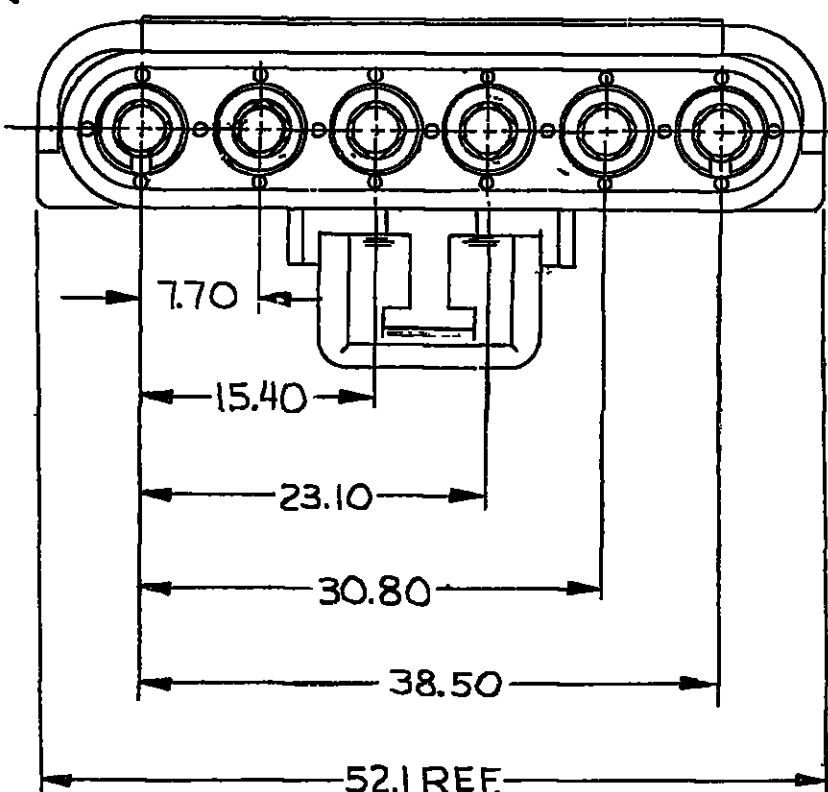
THIS DRAWING AND DESIGN HEREON CONSTITUTES A PROPRIETARY DESIGN OF PACKARD ELECTRIC DIVISION AND IS NOT TO BE DUPLICATED OR REPRODUCED WITHOUT AUTHORITY OF PACKARD ELECTRIC DIVISION



SEALING RIBS MUST BE FREE OF DEFECTS

6.15 DIA. - 6 PLCS.

INDEX CODE - 1000001 - (ALSO SEE HANDBOOK)



- NOTES** — 1. USE FEMALE TERMINAL 12089188 OR EQUIVALENT FOR 'IN LINE' APPLICATIONS.
2. USE CABLE SEAL 12015323 OR EQUIVALENT.
3. MATING CONNECTOR 12020786 OR EQUIVALENT.
4. WHEN PARTS ARE SHIPPED, THEY MUST BE PACKED IN PLASTIC BAGS OR SHIPPING CONTAINERS MUST BE LINED WITH PLASTIC LINERS. BAGS OR LINERS MUST BE SEALED TO AVOID ENTRY OF FOREIGN MATTER.
5. SEALING CODE 3.
6. WHEN DESIGNING A PART TO MATE TO THIS WEATHER-PACK CONNECTOR, REQUEST THE LATEST COPY OF DRAWING NUMBER 12020084 FROM PACKARD ELECTRIC DIVISION.

THIRD ANGLE PROJECTION



DATE	SYM	REVISION RECORD	AUTH	DR.	CK.
29OC81	A	RELEASED	81005	SR	JM
06N081	-	REVISED	78729	SR	JM
19N081	-	12020787 CONN. REVISED	78952	DL	JM
16MR82	-	12020787 CONN. REVISED	80056	DET	JM
30JN82	-	12020787 CONN. REVISED	81587	DET	JM
19JL83	-	1.5 MAX. WAS 1.0 MAX.	85923	FW	JM
28SE87	-	ADDED NOTE #5	115728	TBD	JM
21OC87	-	REVISED TERMINAL NOTE	116529	BAR	JM
12MY88	A1	ADDED ASSEMBLY NOTE	119914	AP	BAR
02OC90	A2	ADDED INDEX CODE & NOTE #6			
		REVISED NOTE #1 & NAME	137293	JH	JH
22JL91	A3	39.1 REF DIM. WAS 38.5 REF	143256	HH	HH

PART NO. 12020926

**METRIC**

DIMENSIONS ARE IN MILLIMETRES UNLESS OTHERWISE SPECIFIED

P. N. C. CODE		C06D1615	
CODE NO. 6900	TOLERANCE UNLESS OTHERWISE SPECIFIED		
QC-C-5110	DECIMAL: TWO PLACE ± 0.15	ANGULAR ± 2°	
DWG. DATE 29OC81	SCALE NONE	DR Scott P. ...	DATE 29OC81
EST. NO.	CP J. ...	DATE 04N081	
REFERENCE NO. 12015799	APP'D ...	DATE 05N081	
MATERIAL SPEC. SEE DWG.			
NAME ASM CONN 6F W/P TWR			
THIRD ANGLE PROJECTION	PART NO. 1202 0926	SIZE C	

PACKARD ELECTRIC DIVISION  
GENERAL MOTORS CORPORATION  
WARREN, OHIO

1150  
99  
199-P  
197A  
37