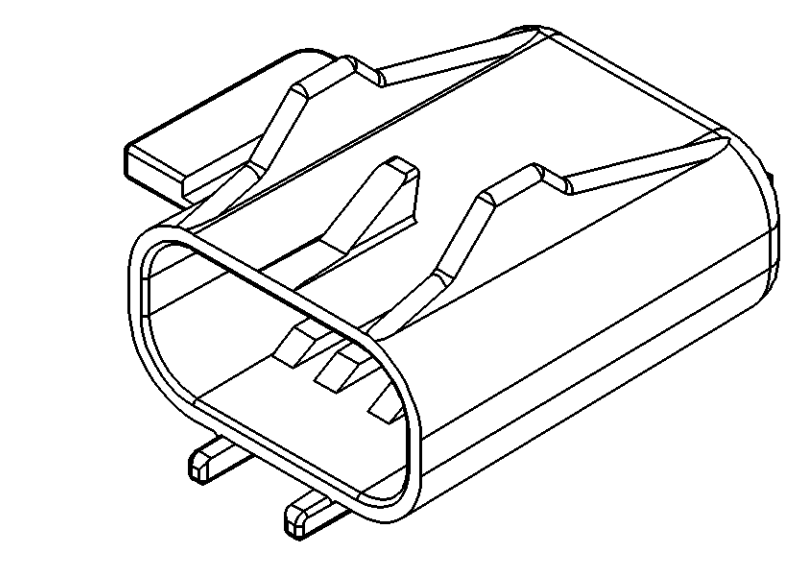
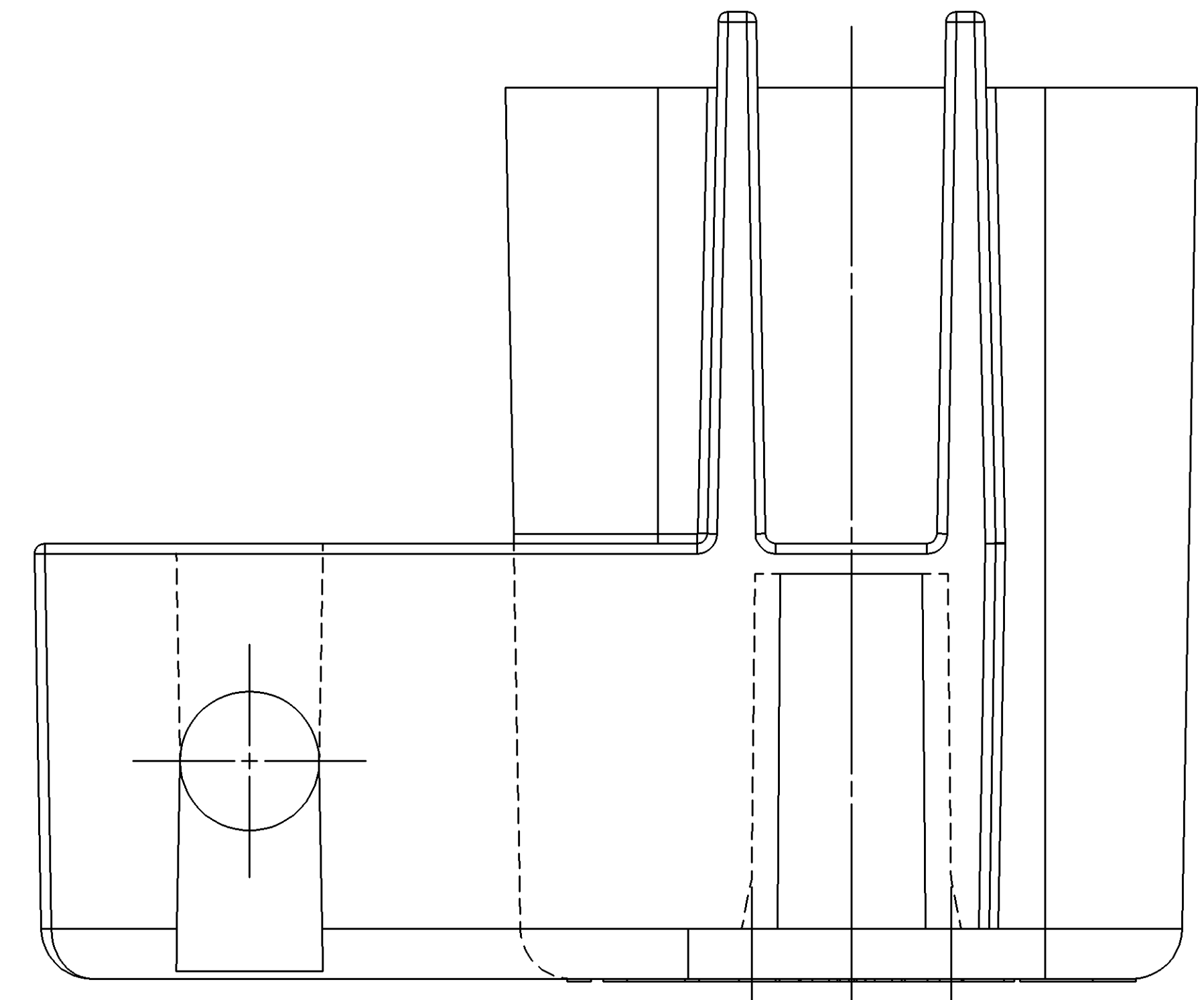
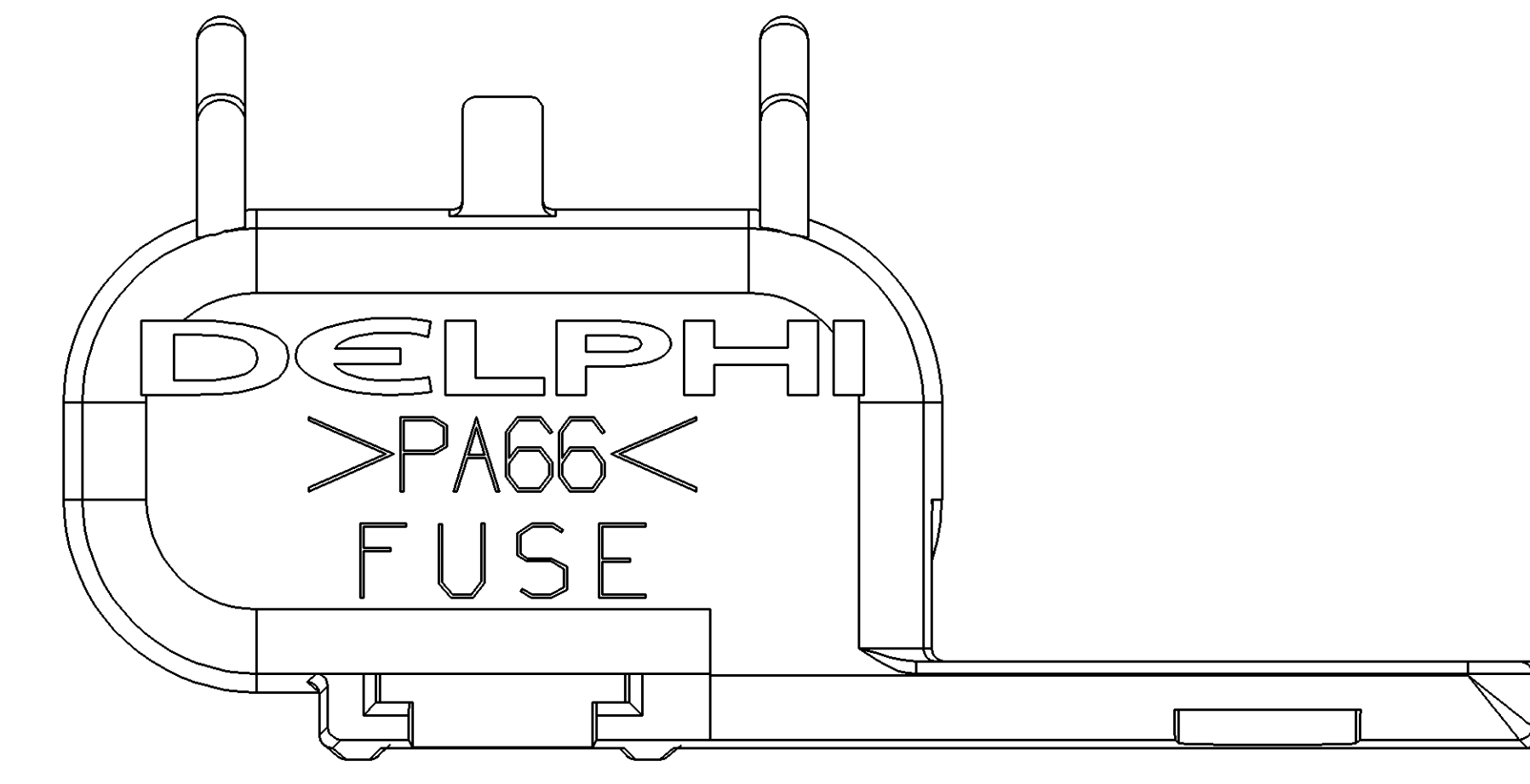
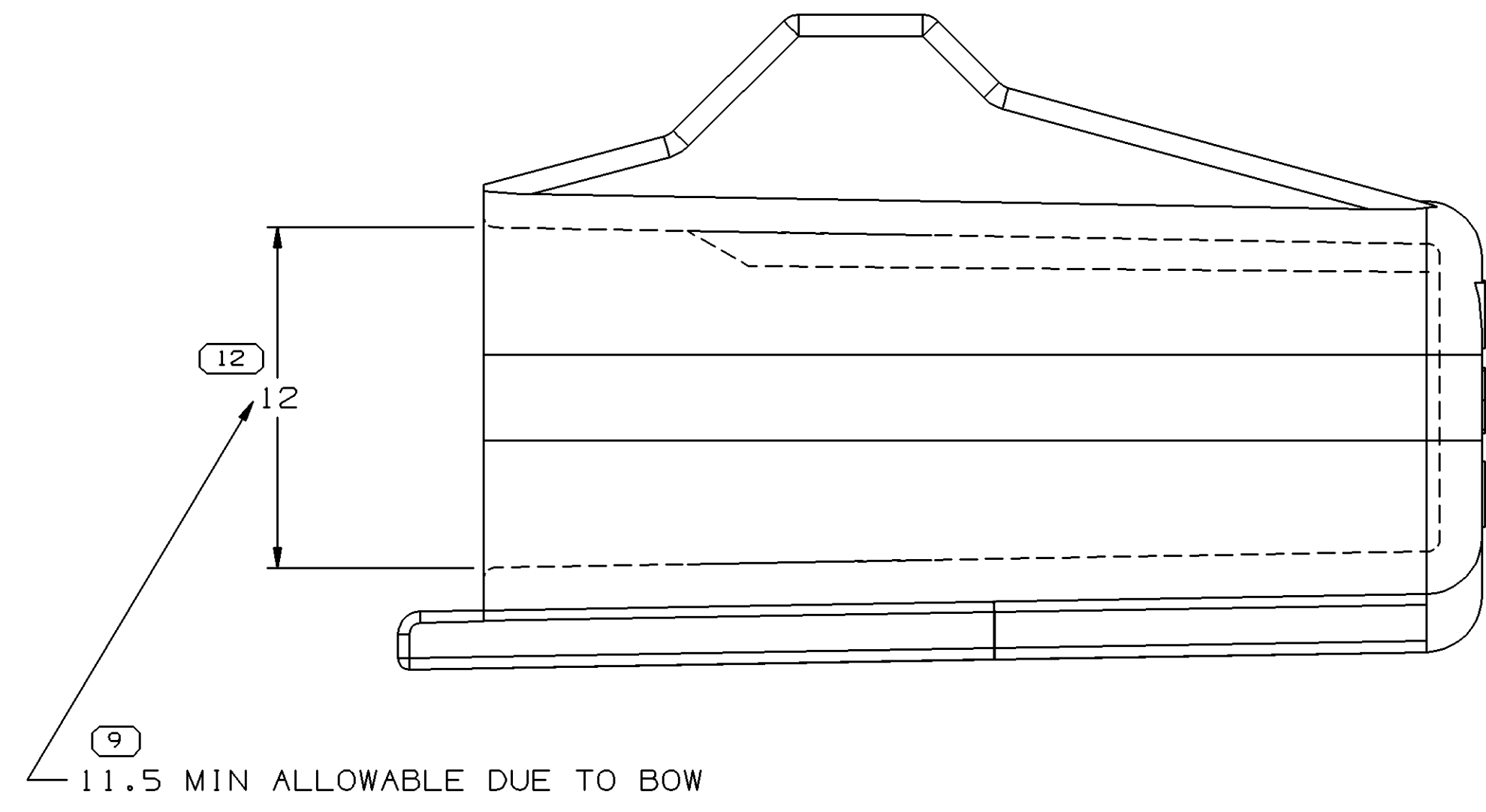
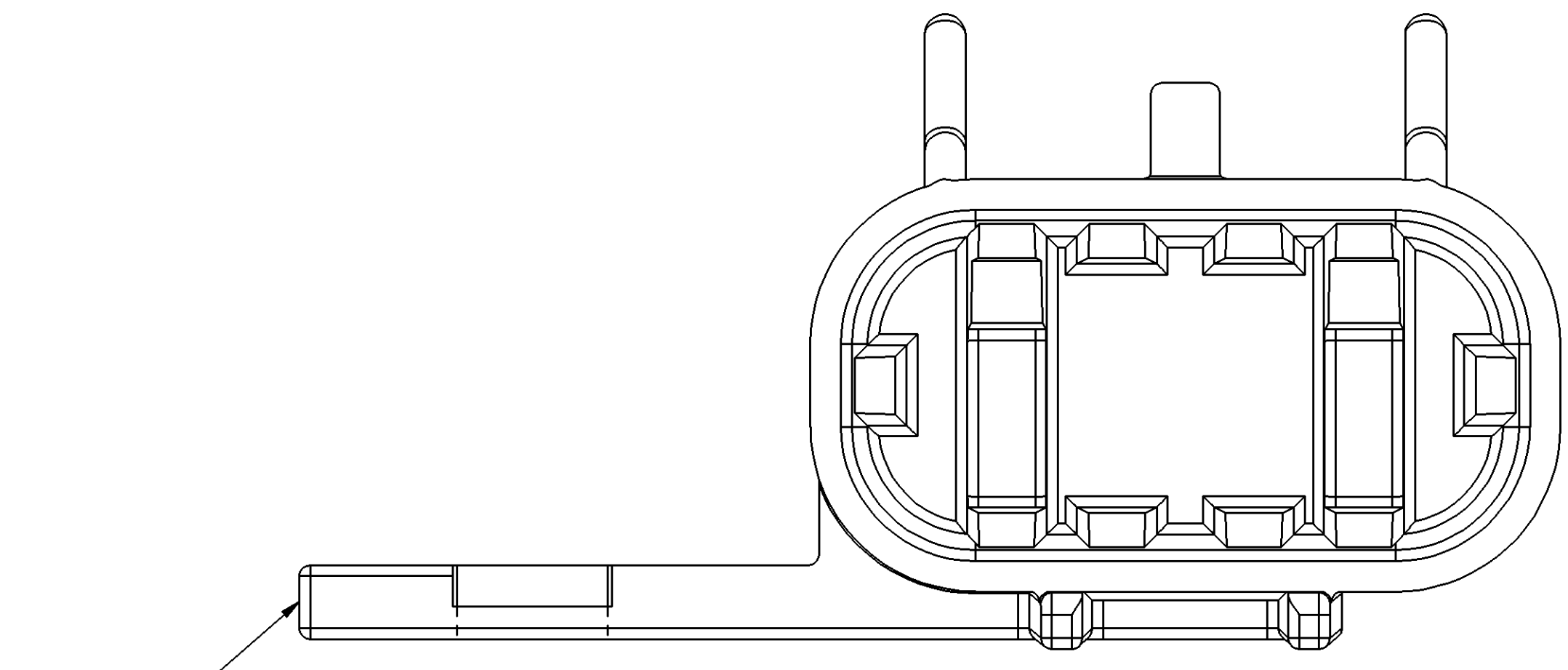
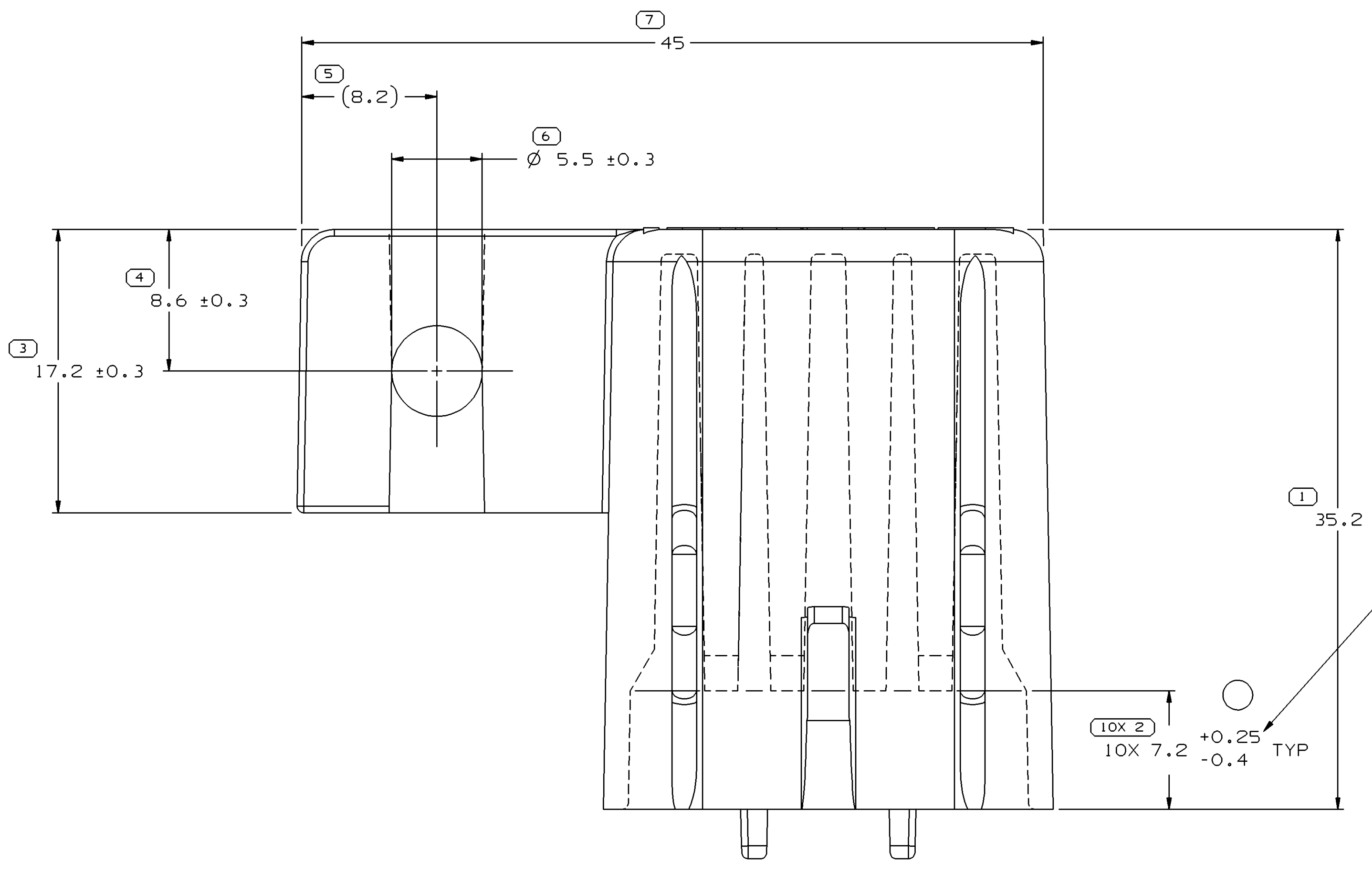


SYMBOL DEFINITION		MISSING SYMBOLS	
A DIMENSION WITHOUT AN INSPECTION REPORT SYMBOL DOES NOT REQUIRE INSPECTION. IT MAY BE CONTROLLED ON THE INDIVIDUAL COMPONENT DRAWING.	TOTAL NO OF INSPECTIONS REQUIRED	NO MISSING SYMBOL NUMBER	
	21		
	LAST NO. USED		
	12		

DWO STATUS					REVISION HISTORY				AUTH	DR	APVD	APVD	
DATE	STG	REV	N/P	CHG	ZONE								
05MR02	R	01	-	-		ALL PARTS - CREATED PD, ADDED NOTE AND REVISED MAT'L SPEC				222189	RH	RH	ET
28JUN05	R	02	-	-		ALL PARTS - REDRAWN TO LATEST PD FORMAT				269490	AMG	AMG	GD
16NOV05	R	03	-	-		ALL PARTS - DIM #2 WAS 10X 7.2 ±0.2 TYP				274578	ACB	FRG	GD
16NOV05	R	04	-	-		ALL PARTS - REVISED NOTE #2 AND DIM #2 WAS 10X 7.2 +0.25/-0.35 TYP				274762	JAR	FRG	GD



VIEW SCALE DOES NOT REFLECT ACTUAL PART SIZE

- NOTES
- UNLESS OTHERWISE SPECIFIED AND/OR INDICATED:
DIMENSIONS ARE TO FACE OF VIEW SHOWN AND AUTOMATICALLY ROUNDED BY COMPUTER FOR INSPECTION (SEE MATH MODEL FOR PRECISE DIMENSIONS). FOR ALL OTHER DIMENSIONS NOT SHOWN BUT REQUIRED FOR TOOL BUILD, SEE MATH MODEL FOR PRECISE TOOL PATH DATA.
 - MATERIAL RECYCLING CODE PER ISO 11469. (2.3)X(0.1) RAISED CHARACTERS AS SHOWN TO BE LOCATED ON ANY EXTERIOR SURFACE. OPTIONAL CONSTRUCTION TO BE NO MATERIAL RECYCLING CODE.
 - THIS PART IS NOT CONTROLLED FOR AUTOMATIC ASSEMBLY.
 - REFERENCE MATING COMPONENTS OR EQUIVALENT
CONNECTOR & SEAL ASM 12033769
 - (2.3)X(0.1) DELPHI CORPORATE BRAND TO BE LOCATED ON ANY EXTERIOR SURFACE, PREFERABLY VISIBLE AT FINAL ASSEMBLY. OPTIONAL CONSTRUCTION FOR EXISTING TOOLING MAY BE "PED".

PART NO	REV	N/P	STATUS	MATERIAL SPECIFICATION AND COLOR	VOLUME CM ³
12146104	A4	-		M3592004 PA66 HS 1M RED	6.516
12089271	D4	-		M3592006 PA66 HS 1M YEL	6.516
12033731	D5	-		M3592001 PA66 HS 1M BLK	6.516

DIMENSIONAL RANGE (MM)		CHART ET	
FROM	TO	INDICATE	INDICATE
> 0	> 20	> 70	> 100
> 20	> 30	> 100	> 150
> 30	> 40	> 150	> 200
> 40	> 50	> 200	> 250
> 50	> 60	> 250	> 300
> 60	> 70	> 300	> 400

DWO TYPE		PART DRAWING	
STYLE	SEE CHART	DISTR CODE	D
UNLESS OTHERWISE SPECIFIED THIS DOCUMENT IS IN ACCORDANCE WITH ASME Y14.5M-1994 AS MODIFIED BY THE DIMENSIONAL DIMENSIONS AND TOLERANCING ADDENDUM-2001. SEPARATE PATTERNING OF FEATURES MAY BE OBTAINED SEPARATELY. REWORKING OF DATUM REFERENCES.			
ALL DIMENSIONS ARE IN MILLIMETERS			
REFERENCE			

DELPHI
DELPHI PACKARD ELECTRIC SYSTEMS
WARREN, OH

DR	DATE
J. HOUGELMAN	31AUBB
R. HERMOSILLO	05MR02
R. HERMOSILLO	05MR02
E. TRACEY	06MR02
APVD4	
APVD5	

SUBSTANCES OF CONCERN AND RECYCLED CONTENT PER DELPHI 10949001

MATERIAL SEC CHART

DRAWING NAME: TAXI COV FUSE

DRAWING NUMBER: 12089272

SIZE: A0 SCALE: 5:1 FRAME NO: 1 OF 1 SHEET NO: 1 OF 1 REV: R 04