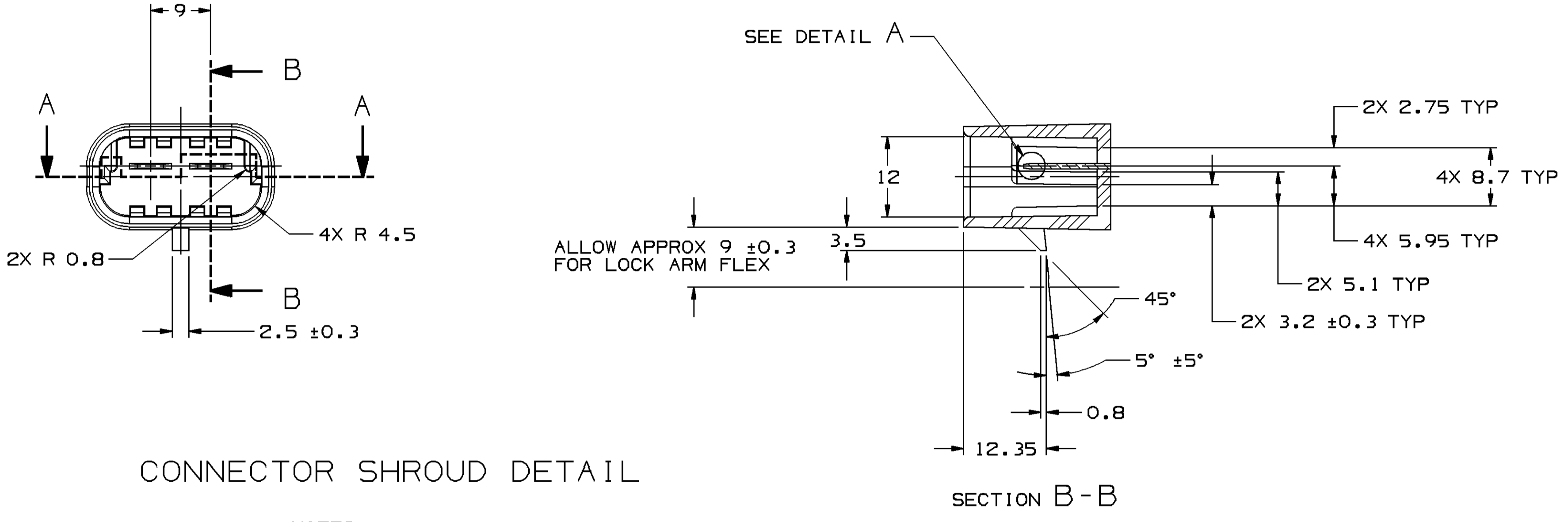
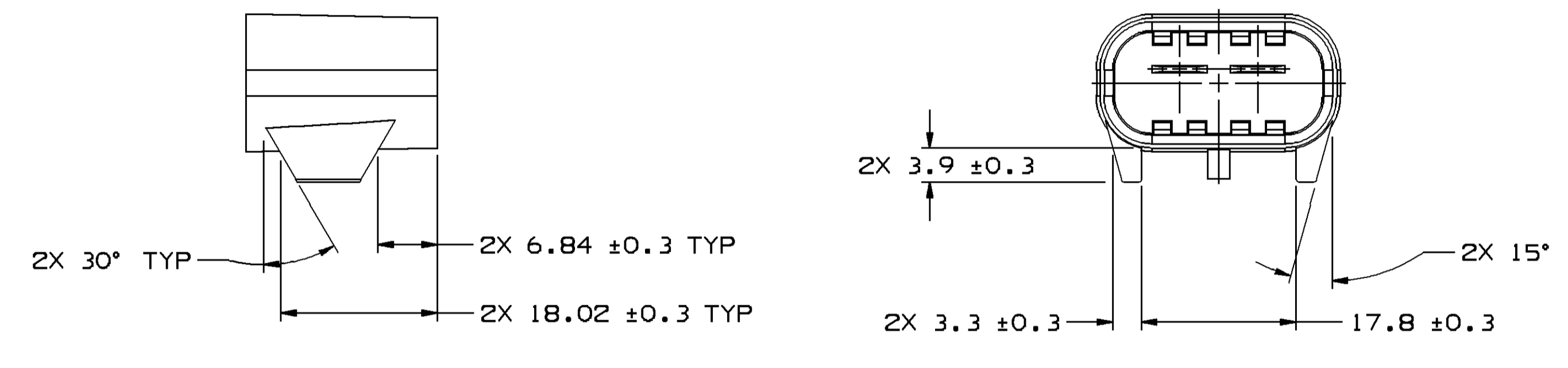
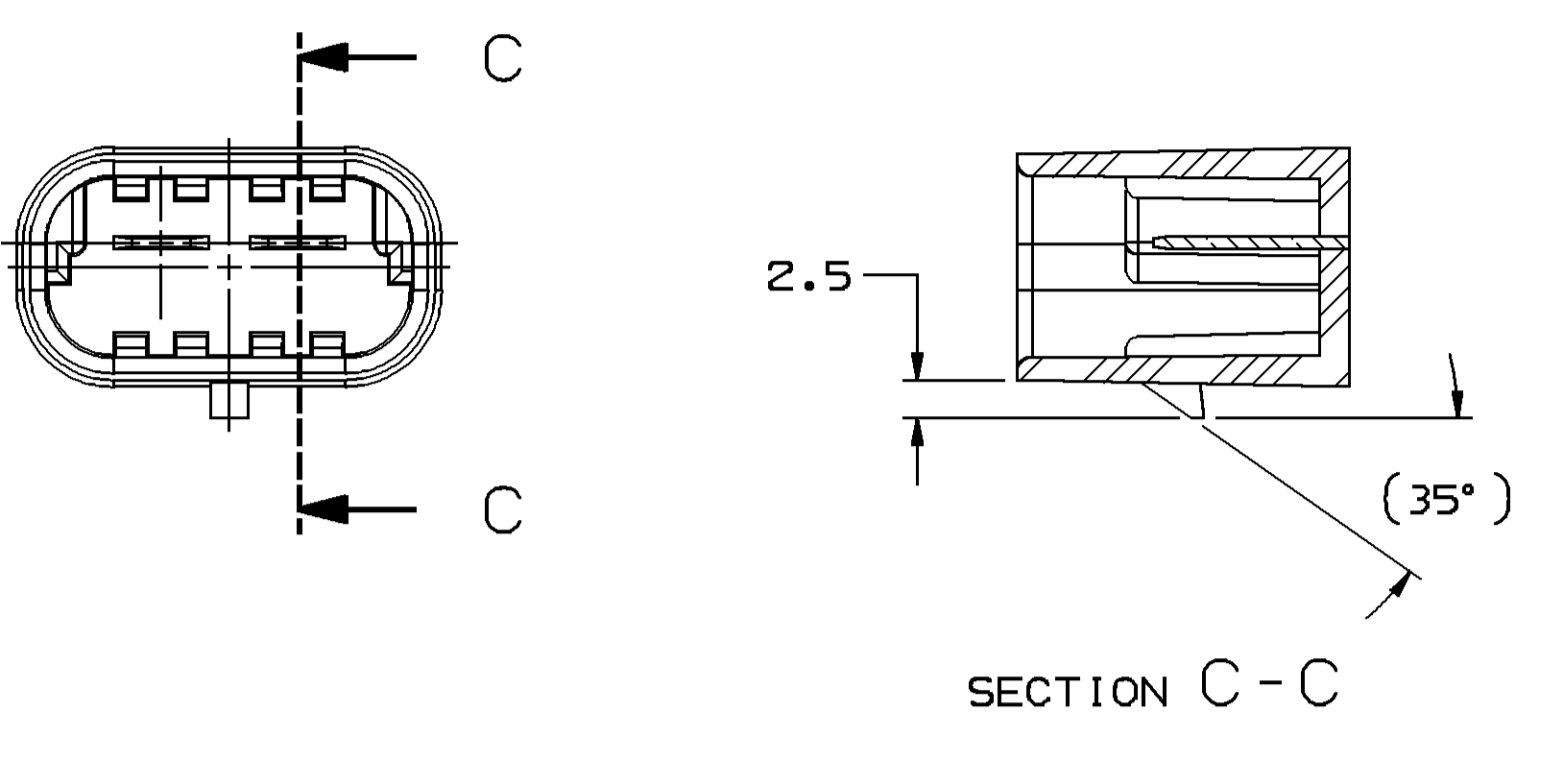
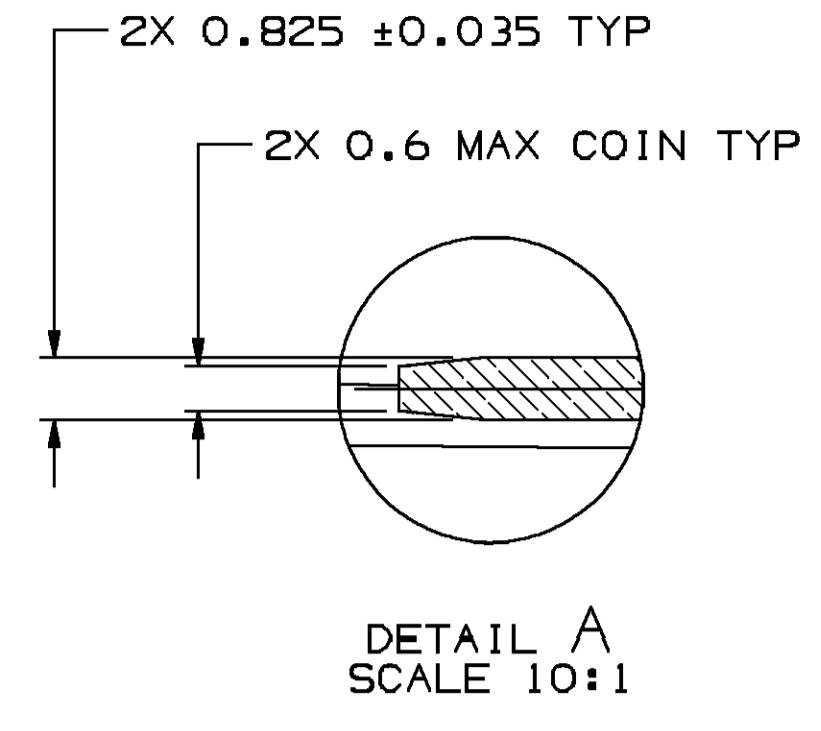
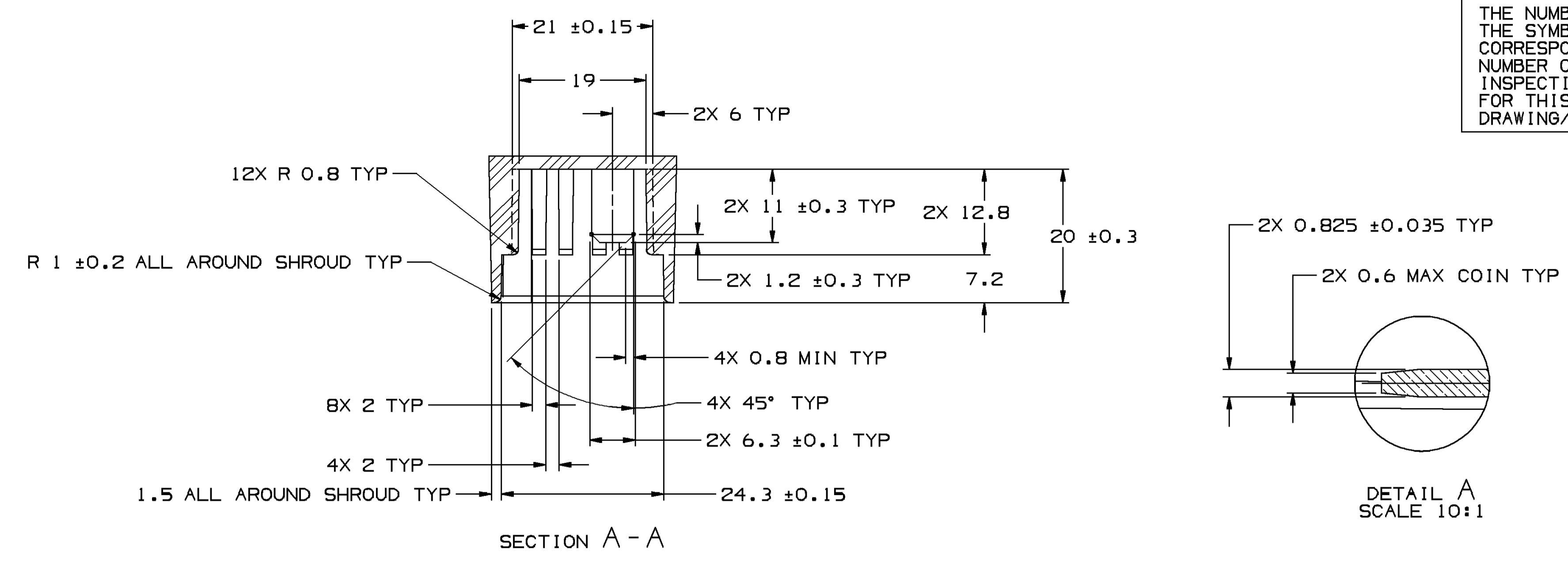
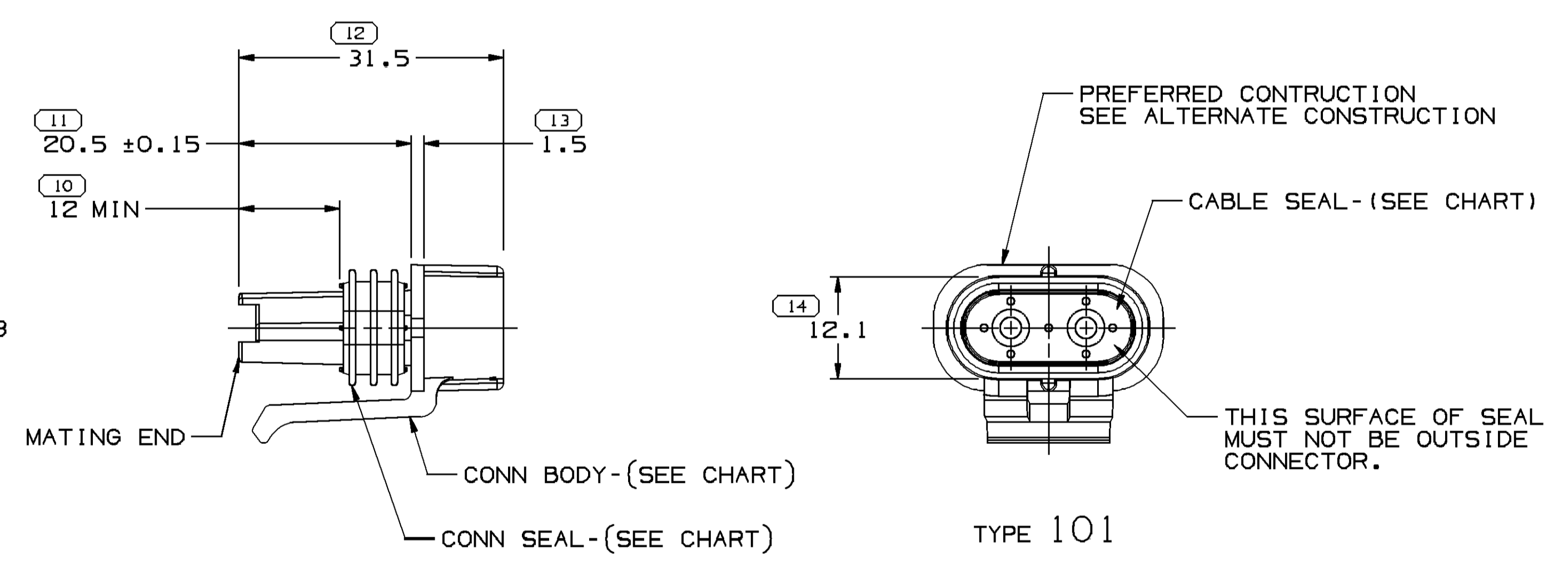
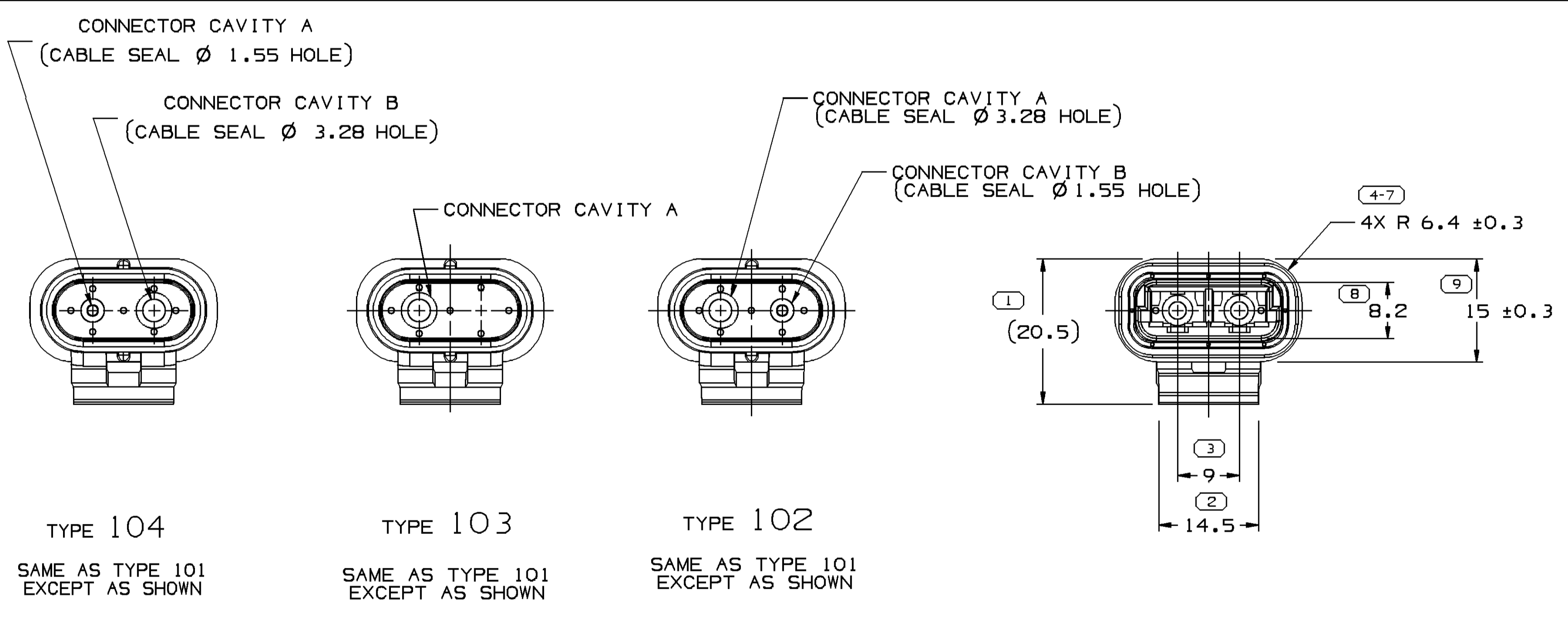


| SYMBOL DEFINITION   |                                 | MISSING NUMBERS |  |
|---|---------------------------------|-----------------|--|
| THE NUMBER INSIDE THE SYMBOL  | TOTAL NO. OF SYMBOLS ON DRAWING | 15              |  |
| CORRESPONDS TO THE NUMBER ON THE INSPECTION REPORT FOR THIS DRAWING/PART NUMBER | LAST NO. USED                   | 18              |  |

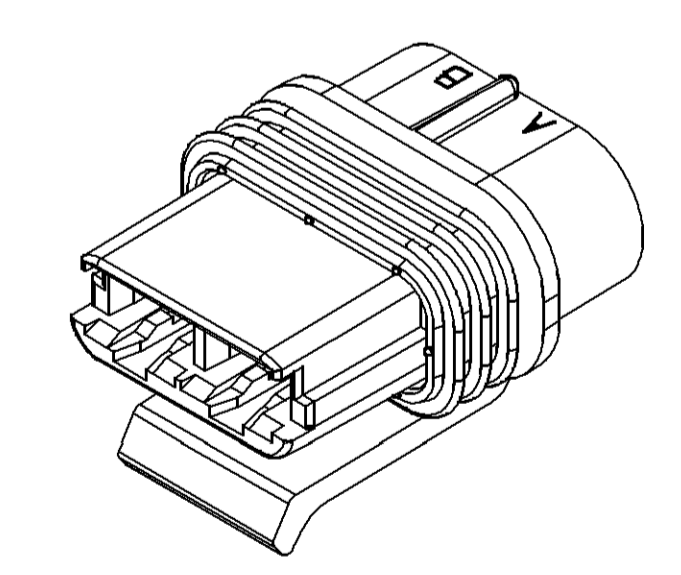
| DWS STATUS |     |     |     |     | REVISION HISTORY |      |     |     |     | AUTH |      | DR     |     | APVD/APPD |     |     |      |
|------------|-----|-----|-----|-----|------------------|------|-----|-----|-----|------|------|--------|-----|-----------|-----|-----|------|
| DATE       | STG | REV | N/P | CHG | ZONE             | DATE | STG | REV | N/P | CHG  | ZONE | DATE   | STG | REV       | N/P | CHG | ZONE |
| 20AUG02    | R   | 03  | -   | -   |                  |      |     |     |     |      |      | 220348 | JAA | JAA       | JRH |     |      |
| 21JUL11    | R   | 04  | -   | -   |                  |      |     |     |     |      |      | 414911 | MRC | JAA       | SJS |     |      |
| 03JAN14    | R   | 05  | -   | -   |                  |      |     |     |     |      |      | 424986 | JVR | JVM       | KRM |     |      |



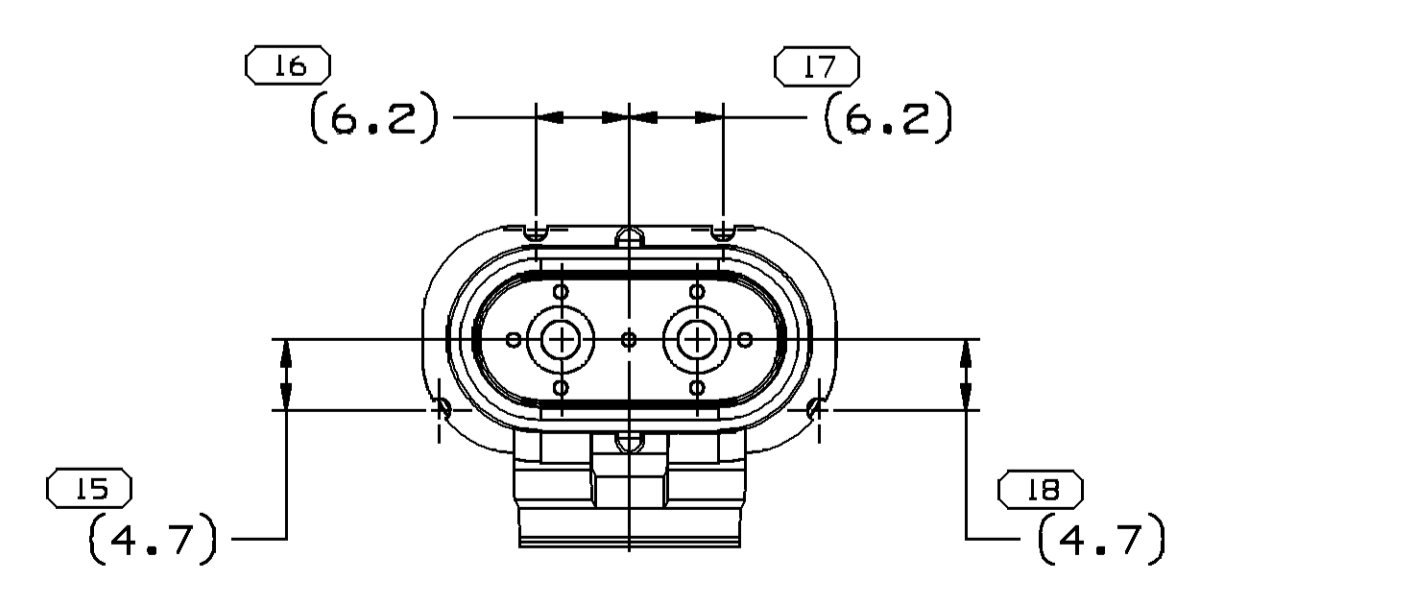
- NOTES
- UNLESS OTHERWISE SPECIFIED AND/OR INDICATED: DIMENSIONS ARE TO FACE OF VIEW SHOWN AND AUTOMATICALLY ROUNDED BY COMPUTER FOR INSPECTION. (SEE MATH MODEL FOR PRECISE DIMENSIONS.) FOR ALL OTHER DIMENSIONS NOT SHOWN BUT REQUIRED FOR TOOL BUILD, SEE MATH MODEL FOR PRECISE TOOL PATH DATA. ALL RADII 0.4 DRAFT IS 0° 30' ON ALL OUTSIDE SURFACES.
  - SHROUD MATERIAL NYLON 66 OR EQUIVALENT.



- NOTES
- UNLESS OTHERWISE SPECIFIED AND/OR INDICATED: DIMENSIONS ARE TO FACE OF VIEW SHOWN AND AUTOMATICALLY ROUNDED BY COMPUTER FOR INSPECTION. (SEE MATH MODEL FOR PRECISE DIMENSIONS.) FOR ALL OTHER DIMENSIONS NOT SHOWN BUT REQUIRED FOR TOOL BUILD, SEE MATH MODEL FOR PRECISE TOOL PATH DATA.
  - THIS PART IS NOT CONTROLLED FOR AUTOMATIC FEEDING.
  - FOR LEAD LENGTH CALCULATIONS, DISTANCE FROM MATING END OF CONNECTOR TO FRONT OF CONNECTOR IS 13.35±1.7
  - WHEN PARTS ARE SHIPPED, THEY MUST BE PACKED IN PLASTIC BAGS OR SHIPPING CONTAINERS LINED WITH PLASTIC LINERS. BAGS OR LINERS MUST BE SEALED TO AVOID ENTRY OF FOREIGN MATTER.
  - SEALING CODE 3 - DESIGN WILL PASS SALT FOG AND IMMERSION TEST AFTER CONDITIONING AS SPECIFIED IN ESA-644 (WEATHER-PACK), ESA-710 (METRI-PACK), ESA-650 (UNDERHOOD MICRO-PACK), C-4006 (WORLD CONNECTOR), ETC. - WHEN MATED TO MATING PART OR EQUIVALENT
  - FOR APPLICATION DATA SEE THE INDIVIDUAL APPLICATION DRAWINGS.
  - THIS PRODUCT IS NOT CATEGORIZED AS AN APPEARANCE ITEM, MINOR IMPERFECTIONS INCLUDING, BUT NOT LIMITED TO, FLOW MARKS, COLOR BLEMISHES, GATE VESTIGES, AND SOFT FLASH THAT DO NOT AFFECT THE FIT, FORM, OR FUNCTION OF THE PART ARE PERMISSIBLE PER DPNP-4.7-CS-01.
  - S-60-T LUBEWELL LUBRICANT CAN BE USED AS AN AUXILIARY SUPPORT ON THE CABLE INSTALLATION PROCESS.



VIEW SCALE DOES NOT REFLECT ACTUAL PART SIZE



| PART NO  | REV | N/P | TYPE | CONN BODY | CONN SEAL | CABLE SEAL        |
|----------|-----|-----|------|-----------|-----------|-------------------|
| 13897549 | 01  | AA  | 104  | 12020341  | 12077383  | 12092676 (BLU)    |
| 15404837 | 01  | AC  | 101  | 12089269  | 12077383  | 12040972 (GREEN)  |
| 12103658 | A4  | -   | 103  | 12020341  | 12077383  | 12103586 (GRA LT) |
| 12103172 | A4  | -   | 101  | 12103171  | 12077383  | 12040972 (GRN)    |
| 12092677 | A4  | -   | 102  | 12020341  | 12077383  | 12092676 (BLU)    |
| 12092449 | A4  | -   | 101  | 12089269  | 12077383  | 12066680 (GRA LT) |
| 12085030 | A4  | -   | 101  | 12020341  | 12077383  | 12085024 (GRN LT) |
| 12066681 | A4  | -   | 101  | 12020341  | 12077383  | 12066680 (GRA LT) |
| 12033769 | E4  | -   | 101  | 12020341  | 12077383  | 12040972 (GRN)    |

| DIMENSIONAL RANGE (MM) | TOLERANCE | CHART | EST  |
|------------------------|-----------|-------|------|
| FROM > 0               | > 20      | > 30  | > 70 |
| TO                     | 20        | 30    | 70   |
|                        | 30        | 70    | 100  |
|                        | 70        | 100   | 150  |
|                        | 100       | 150   | 200  |
|                        | 150       | 200   | 250  |
|                        | 200       | 250   | 300  |
|                        | 250       | 300   | 400  |

**DELPHI CORPORATION**  
 DELPHI CORPORATION  
 300 N. ZEEB RD  
 WARREN, MI 48090  
 COPYRIGHT 1987 DELPHI CORPORATION AND/OR ITS AFFILIATES. ALL RIGHTS RESERVED.  
 THIS DRAWING IS THE PROPERTY OF DELPHI CORPORATION AND CONTAINS DELPHI CONFIDENTIAL INFORMATION. THE REPRODUCTION, DISTRIBUTION AND UTILIZATION OF THIS DOCUMENT OR ITS CONTENTS OR ANY DATA THEREIN WITHOUT EXPRESS AUTHORIZATION IS PROHIBITED.

DATE: 22 JUN 87  
 DR: ROGER SHAUB  
 APVD: D. RAMJANO  
 APVD: R. NAGEL  
 APVD: A. WINYARD  
 APVD: [ ]

THIS DOCUMENT IS IN ACCORDANCE WITH ASME Y14.5M-1994 AS MODIFIED BY THE 2000 DIMENSIONING AND TOLERANCING ADDENDUM - 1997. ALL GEOMETRIC TOLERANCES AND RELATED DATUMS APPLY UNLESS OTHERWISE SPECIFIED. MFG DOES NOT APPLY WHEN RELATIONSHIP BETWEEN FEATURES IS ESTABLISHED BY ORIENTATION OR LOCATION TOLERANCES. SEPARATE POSITION CALLOUTS MAY BE SAVED SEPARATELY, IRRESPECTIVE OF DATUM REFERENCE. ALL DIMENSIONS ARE IN MILLIMETERS.

UNLESS OTHERWISE SPECIFIED  
 DIMENSIONS ENCLOSED IN ( ) INDICATE REFERENCE DIMENSIONS AND NO TOLERANCE LIMITS ARE ESTABLISHED.

14 PROCESS SENSITIVE DIMENSION

THIRD ANGLE PROJECTION  
 DO NOT SCALE  
 USE MATH DATA

DRAWING NAME: TAXI ASM CONN F M/P 630 SLD  
 DRAWING NUMBER: 12066697  
 SIZE: A0  
 SCALE: 2:1  
 FRAME NO: 1 OF 1  
 SHEET NO: 1 OF 1  
 STG: R  
 REV: 05