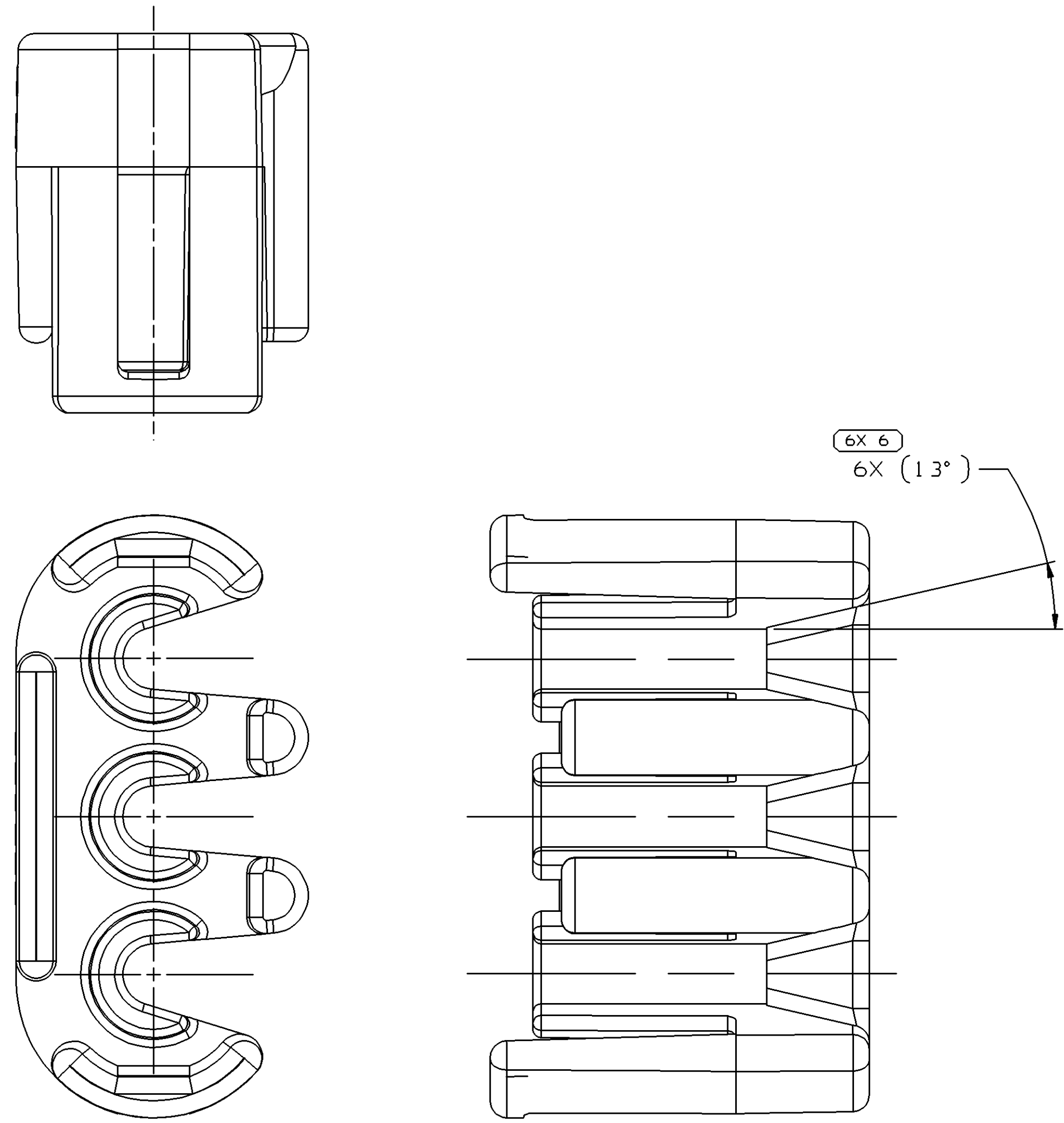
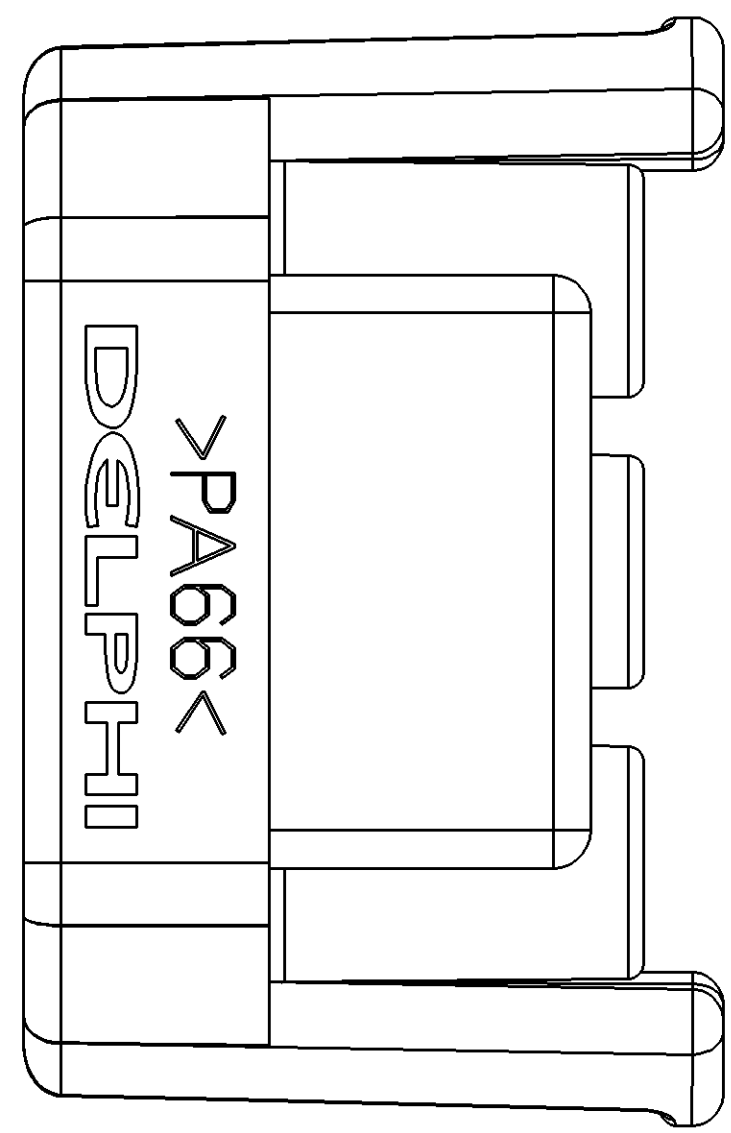
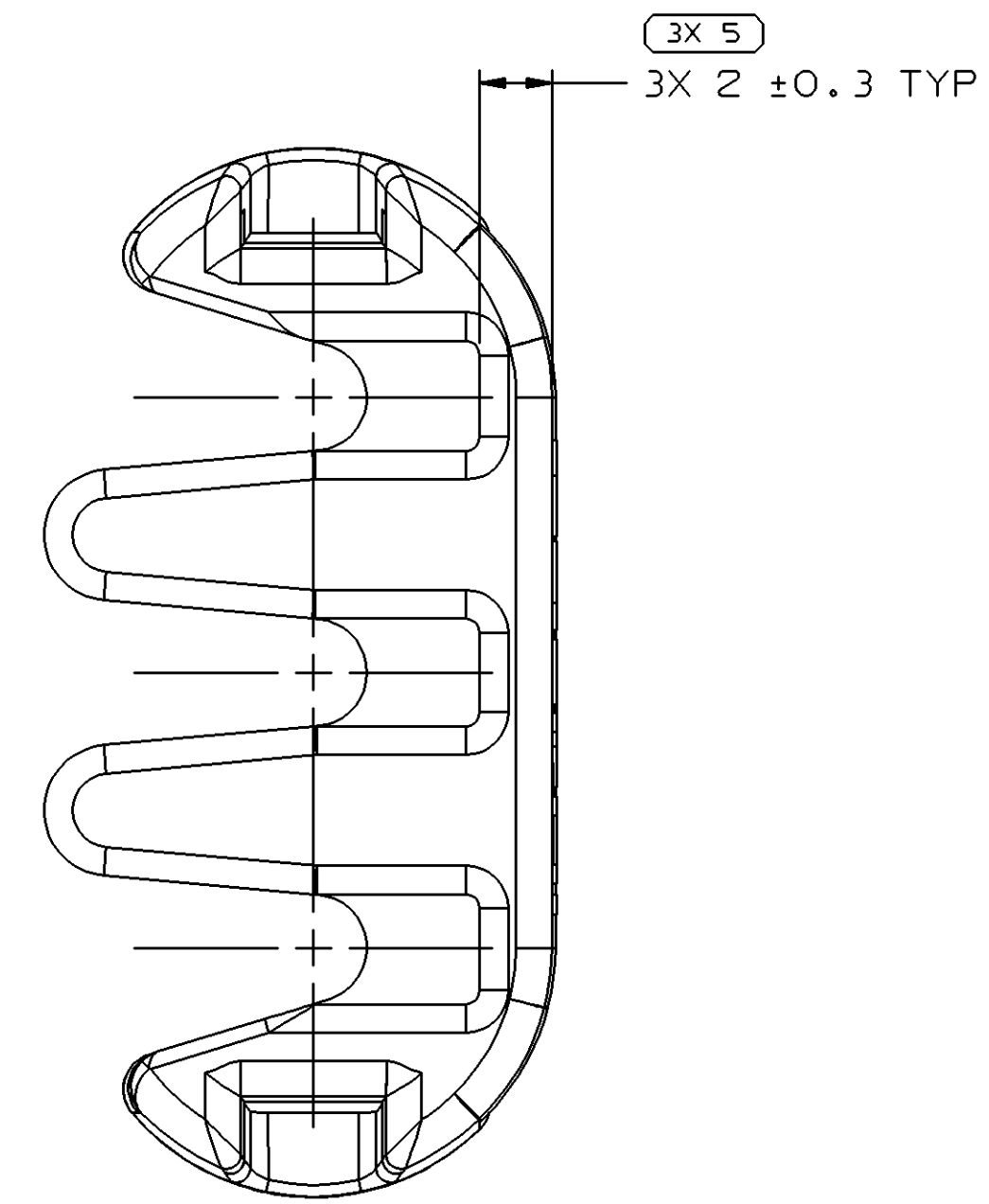
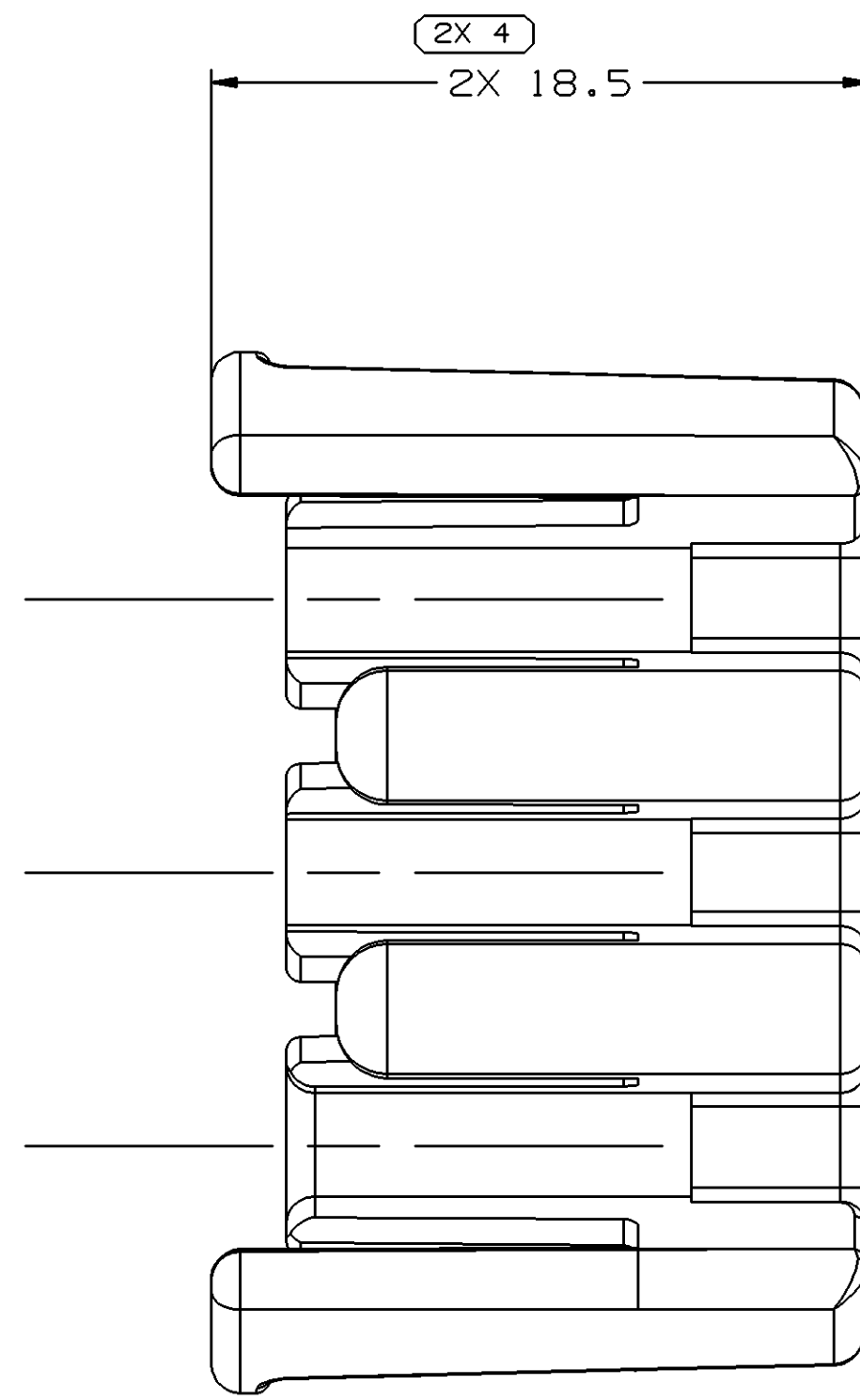
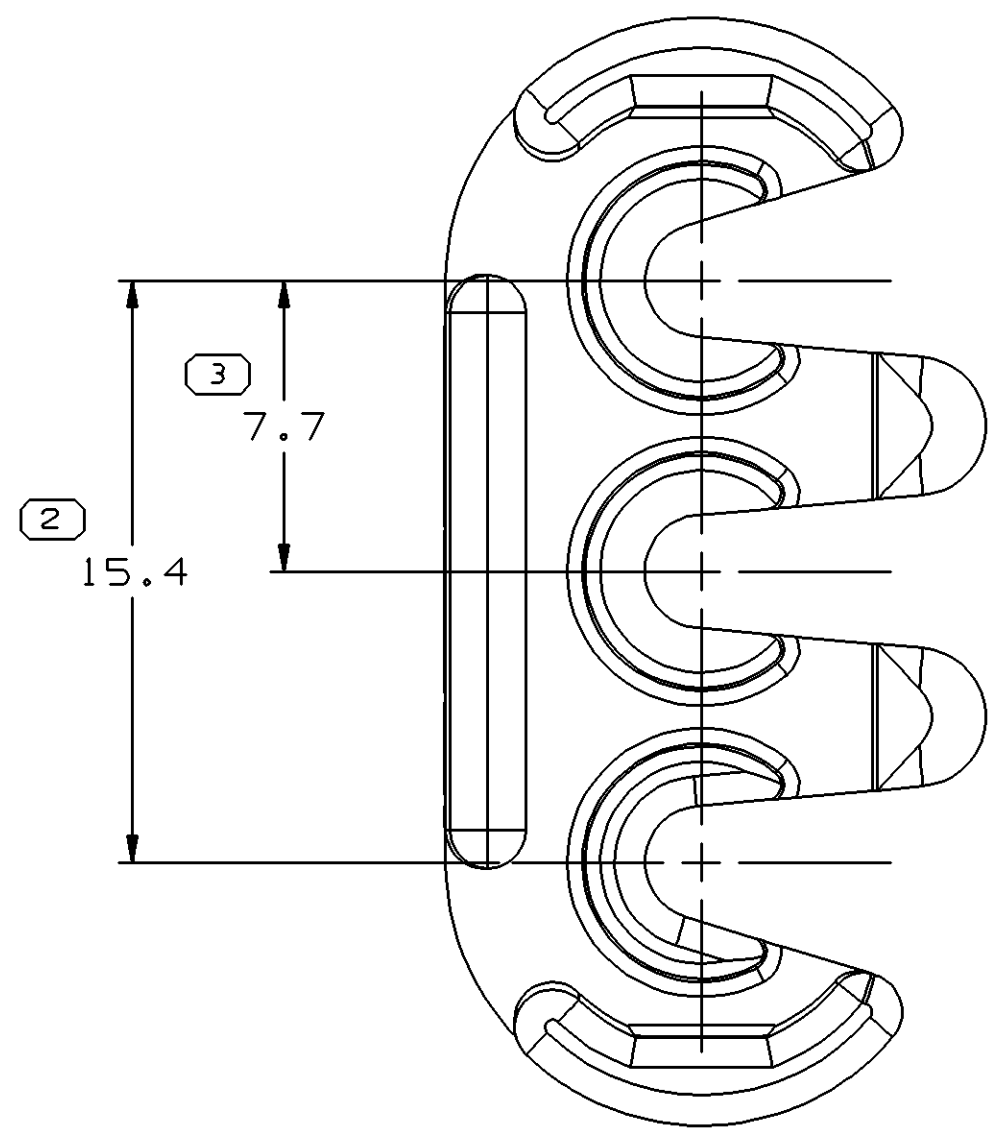
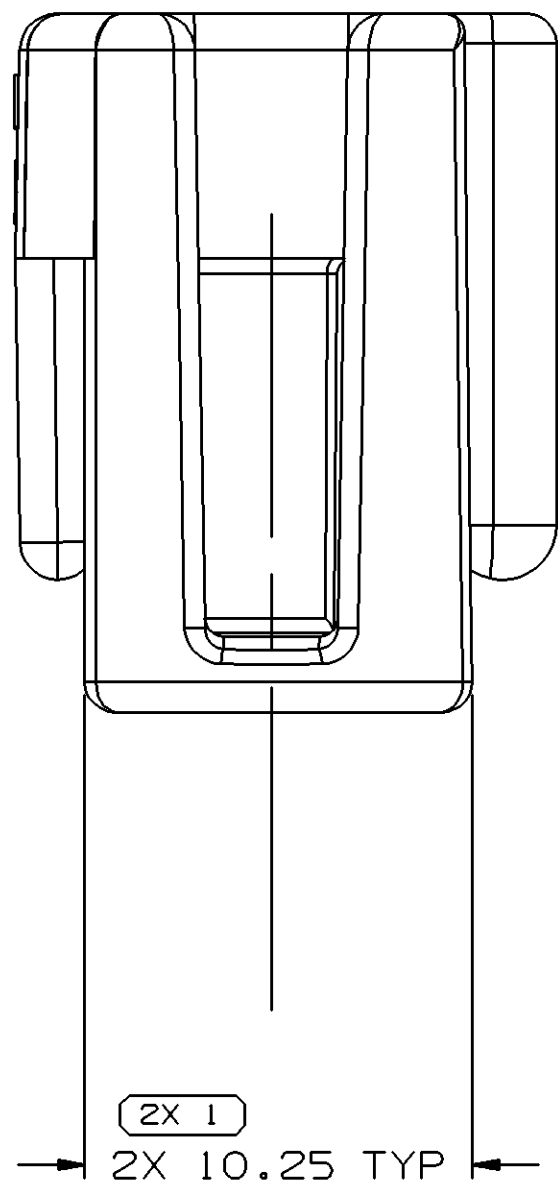


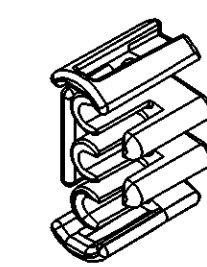
SYMBOL DEFINITION		MISSING SYMBOLS	
A DIMENSION WITHOUT AN INSPECTION REPORT SYMBOL () OR () DOES NOT REQUIRE INSPECTION. IT MAY BE CONTROLLED ON THE INDIVIDUAL COMPONENT DRAWING.	TOTAL NO OF INSPECTIONS REQUIRED	15	NO MISSING SYMBOL NUMBER
() INDICATES THE DIMENSION IS SHOWN ON THE PART DRAWING AND THE TOOL MUST BE QUALIFIED AT 80% OF THE TOLERANCE SHOWN UNLESS SUPERSEDED BY A "TBT".	LAST NO. USED	6	

DWO STATUS				REVISION HISTORY				AUTH		DR		APVD	
DATE	STG	REV	N/P	CHG	ZONE								
24SE02	R	05	-	-		CREATED PD, ADDED OPTIONAL LOGO & MAT'L RECYCLING CODE NOTES AND MAT'L SPEC WAS R0067548 PA6 BLK	228956	AFM	EDV	RC			
24JA03	R	05	AA	-		CREATED OPTIONAL CONSTRUCTION AND REVISED GRAPHICS	235467	JVD	JVD	RC			
23JN04	R	05	AB	-		ADDED OPTIONAL CONSTRUCTION VIEWS	256127	LLJ	LLJ	TM			



NOTES

- UNLESS OTHERWISE SPECIFIED AND/OR INDICATED: DIMENSIONS ARE TO FACE OF VIEW SHOWN AND AUTOMATICALLY ROUNDED BY COMPUTER FOR INSPECTION (SEE MATH MODEL FOR PRECISE DIMENSIONS). FOR ALL OTHER DIMENSIONS NOT SHOWN BUT REQUIRED FOR TOOL BUILD, SEE MATH MODEL FOR PRECISE TOOL PATH DATA.
- MATERIAL RECYCLING CODE PER ISO 11469. (2.3)X(0.1) CHARACTERS AS SHOWN TO BE LOCATED ON ANY EXTERIOR SURFACE.
- MATING COMPONENTS OR EQUIVALENT: CONNECTORS 12034146 & 12040977.
- (2.3)X(0.1) DELPHI CORPORATE BRAND TO BE LOCATED ON ANY EXTERIOR SURFACE, PREFERABLY VISIBLE AT FINAL ASSEMBLY. OPTIONAL CONSTRUCTION TO BE "PED".



DWO TYPE		PART DRAWING	
VOLUME (COP)	2,627	DISTR CODE	D
ROUTING	6900		

UNLESS OTHERWISE SPECIFIED
THIS DOCUMENT IS IN ACCORDANCE WITH ASME Y14.5M-1994 AS AMENDED BY THE 2018 DIMENSIONING AND TOLERANCING ADDENDUM - 1997. ALL GEOMETRIC TOLERANCES AND RELATED DATUM APPLICABLE TO ALL DIMENSIONS UNLESS OTHERWISE SPECIFIED. DIMENSIONS ARE TO FACE UNLESS OTHERWISE SPECIFIED. DIMENSIONS ARE IN MILLIMETERS.

DELPHI	
DELPHI PACKARD ELECTRIC SYSTEMS WARREN, OH	
DR	DATE
APVD1 A. FLORES	08AU02
APVD2 E. VAZQUEZ	08AU02
APVD3 R. CORZAS	08AU02
APVD4	
APVD5	
MATERIAL	M3592001 PA66 HS 1M BLK
DRAWING NAME	LOCK TPA M/P 280 3 BLK
DRAWING NUMBER	12034145
SIZE	SCALE
A0	5:1
FRAME NO	SHEET NO
1 OF 1	1 OF 1
REV	N/P
05	AB

DIMENSIONAL RANGE (MM)		CHART ET	
FROM	TO	PROJECTION	SCALE
> 0	> 20	1:1	1:1
> 20	> 30	2:1	2:1
> 30	> 70	3:1	3:1
> 70	> 100	4:1	4:1
> 100	> 150	5:1	5:1
> 150	> 200	6:1	6:1
> 200	> 250	8:1	8:1
> 250	> 300	10:1	10:1
> 300	> 400	12:1	12:1

OPTIONAL CONSTRUCTION