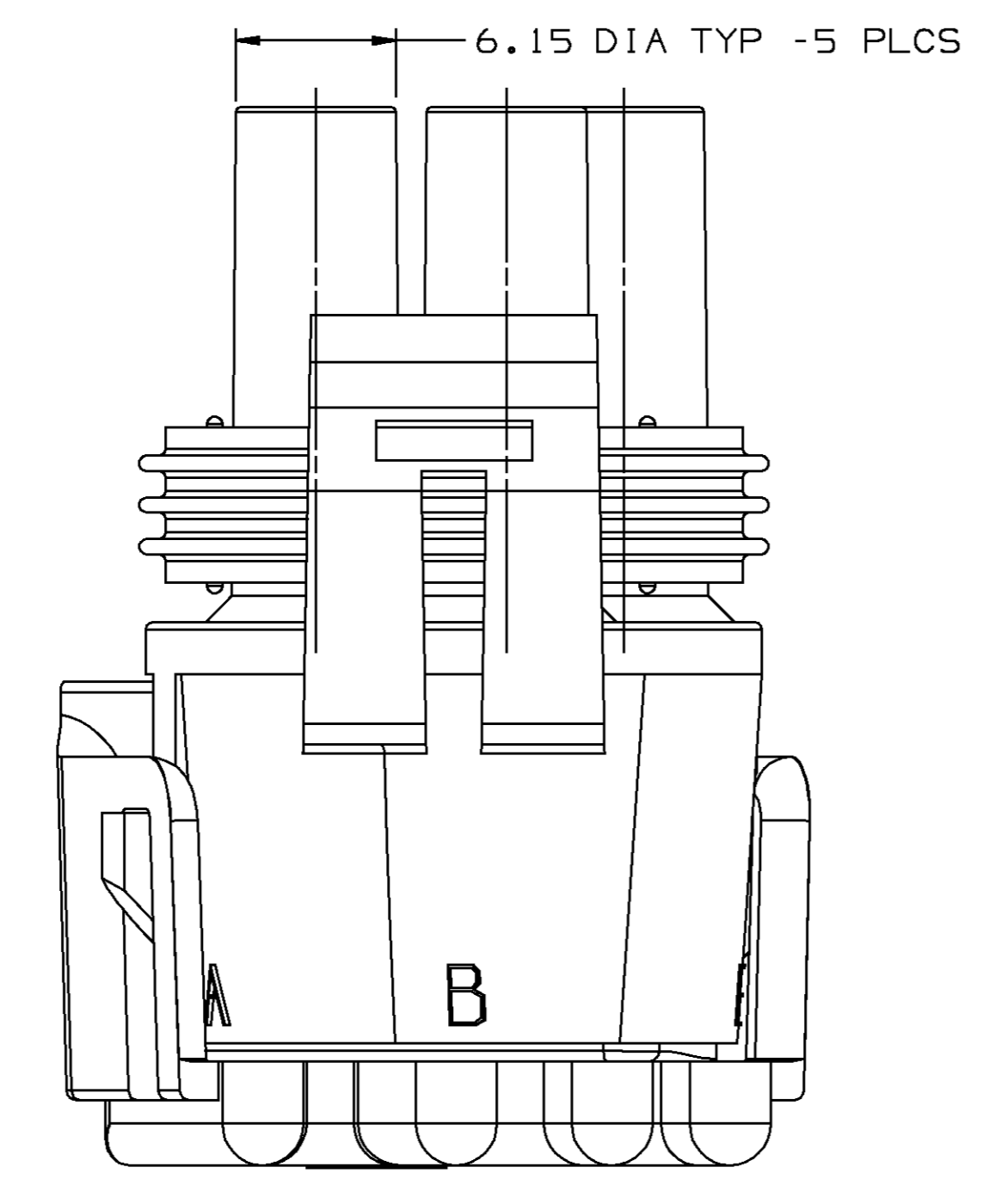
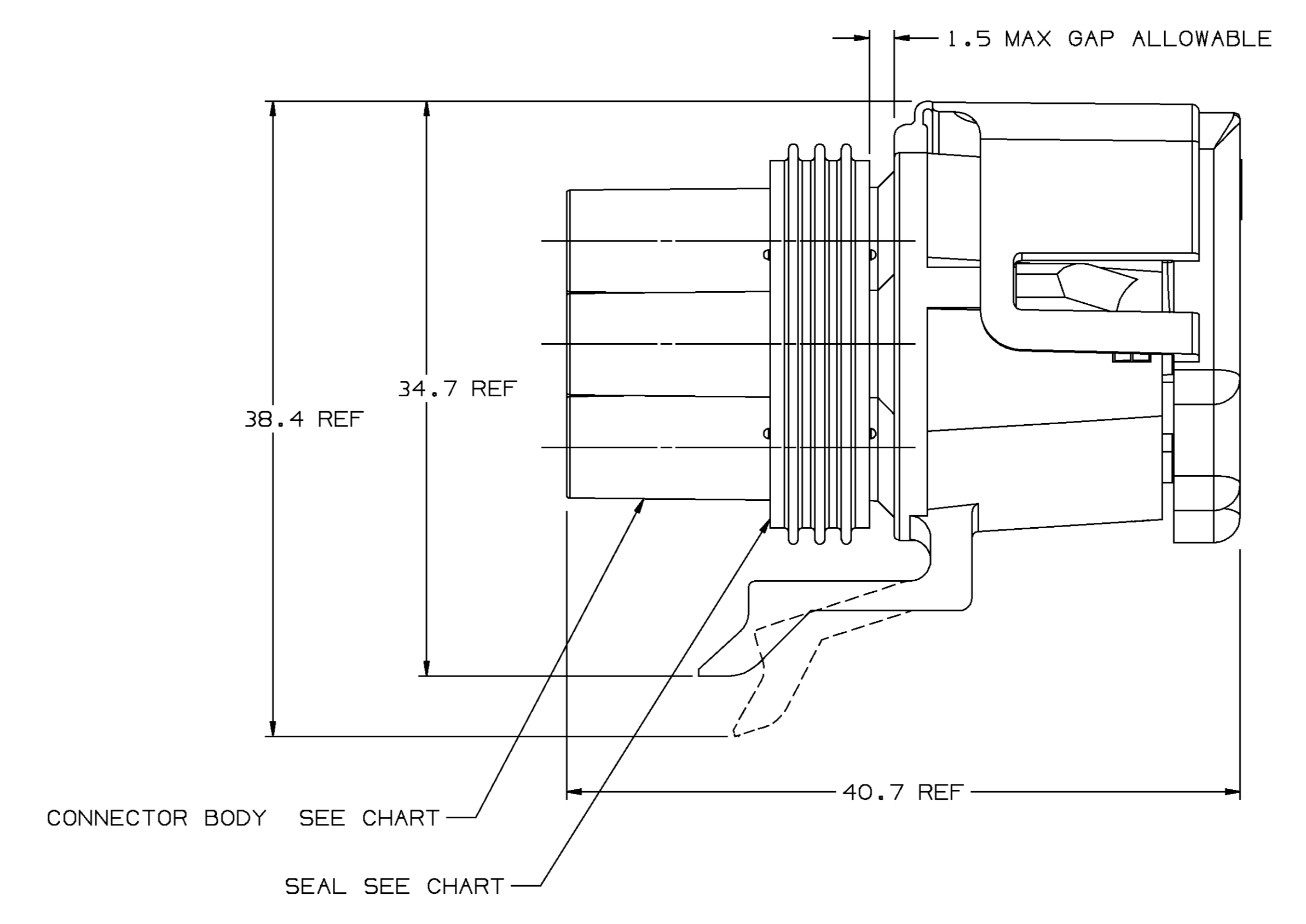
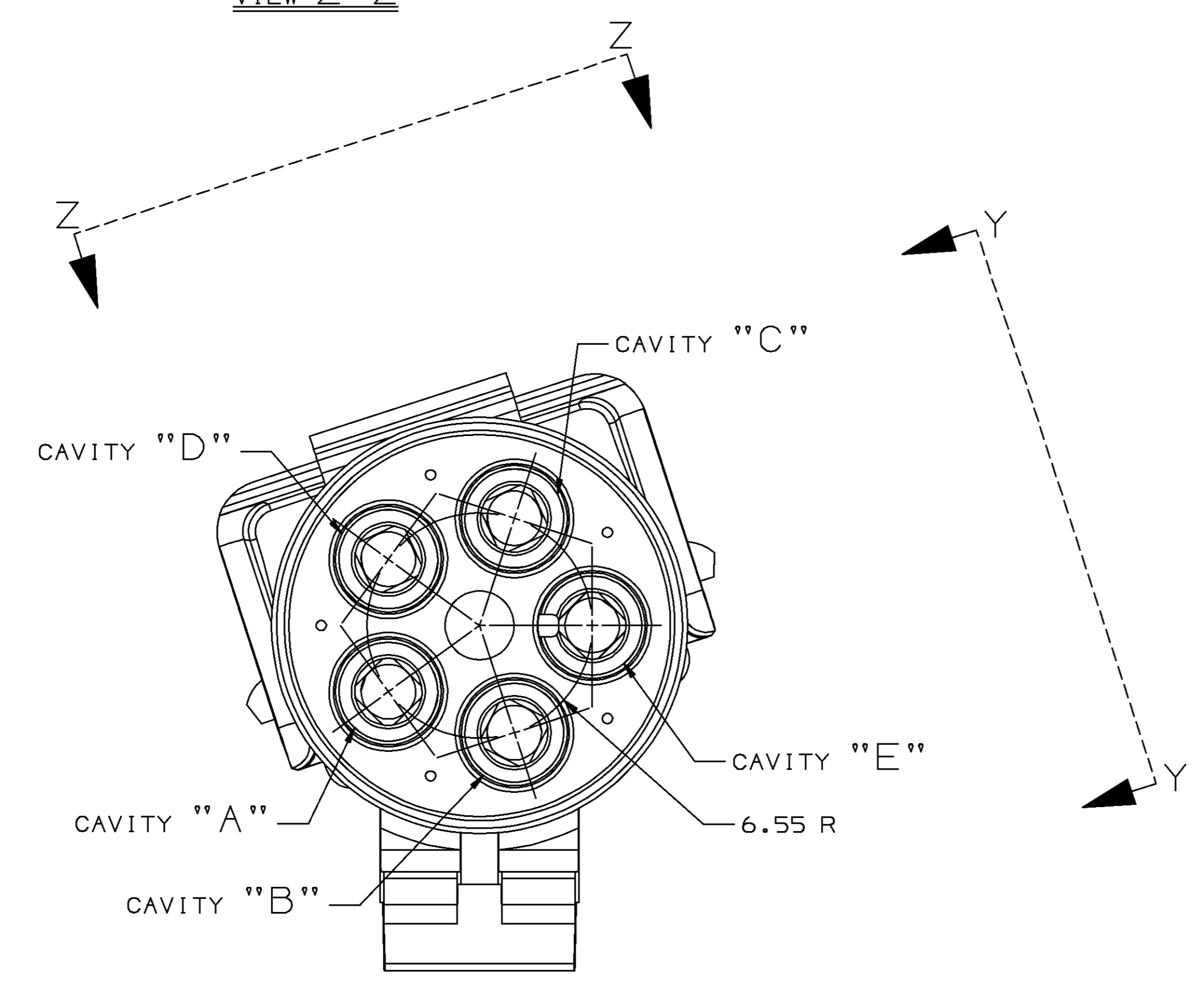
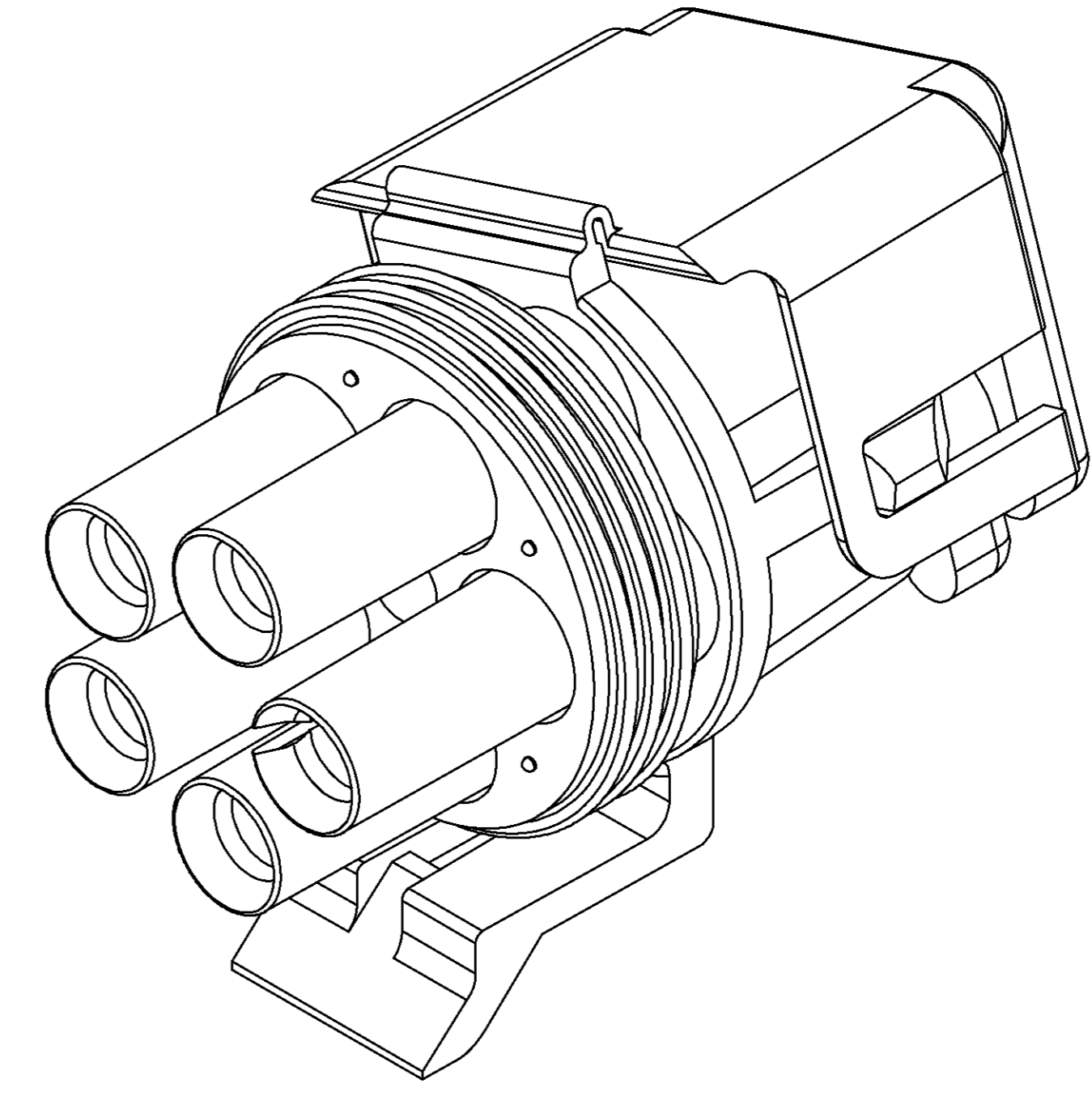
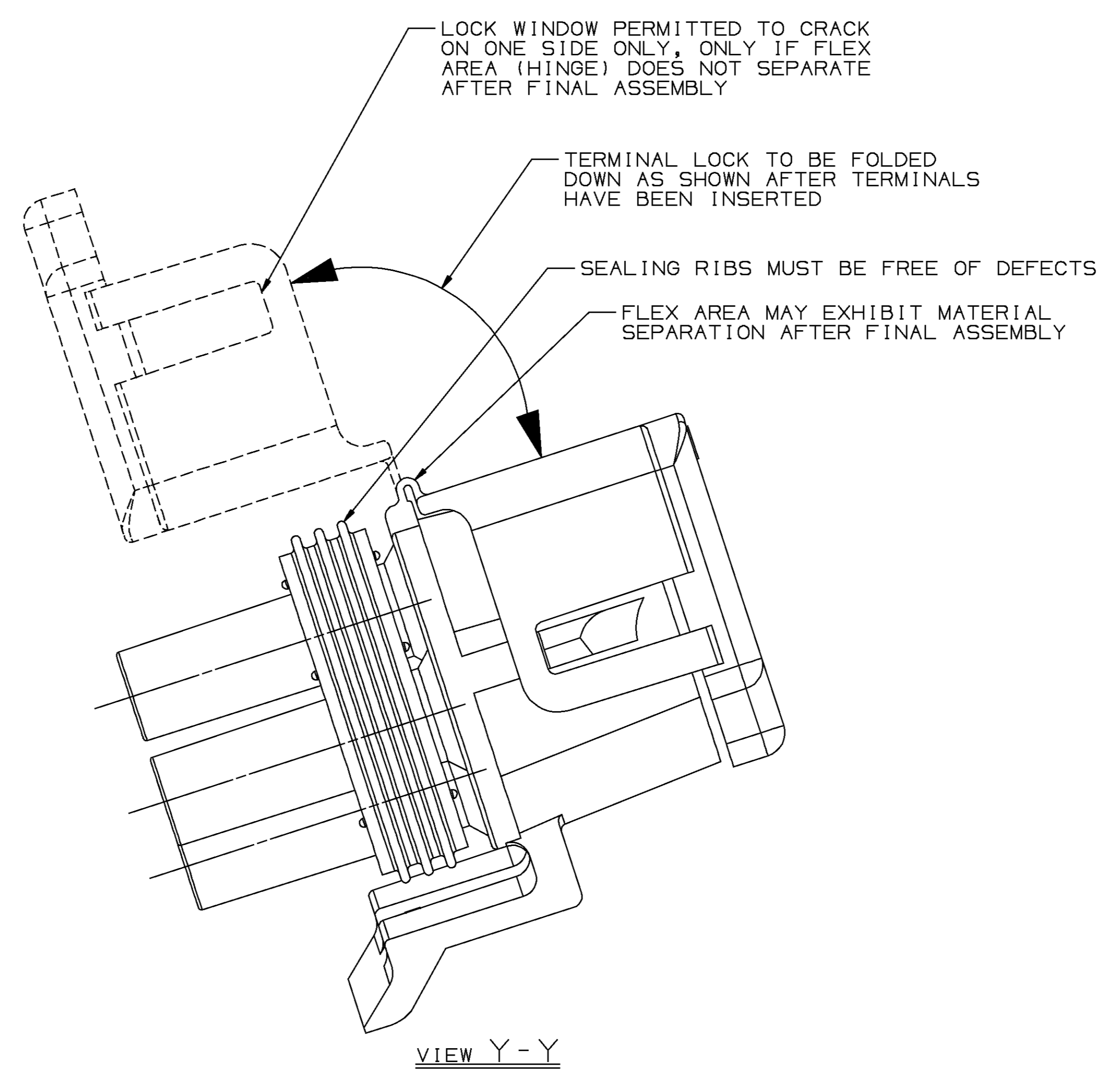
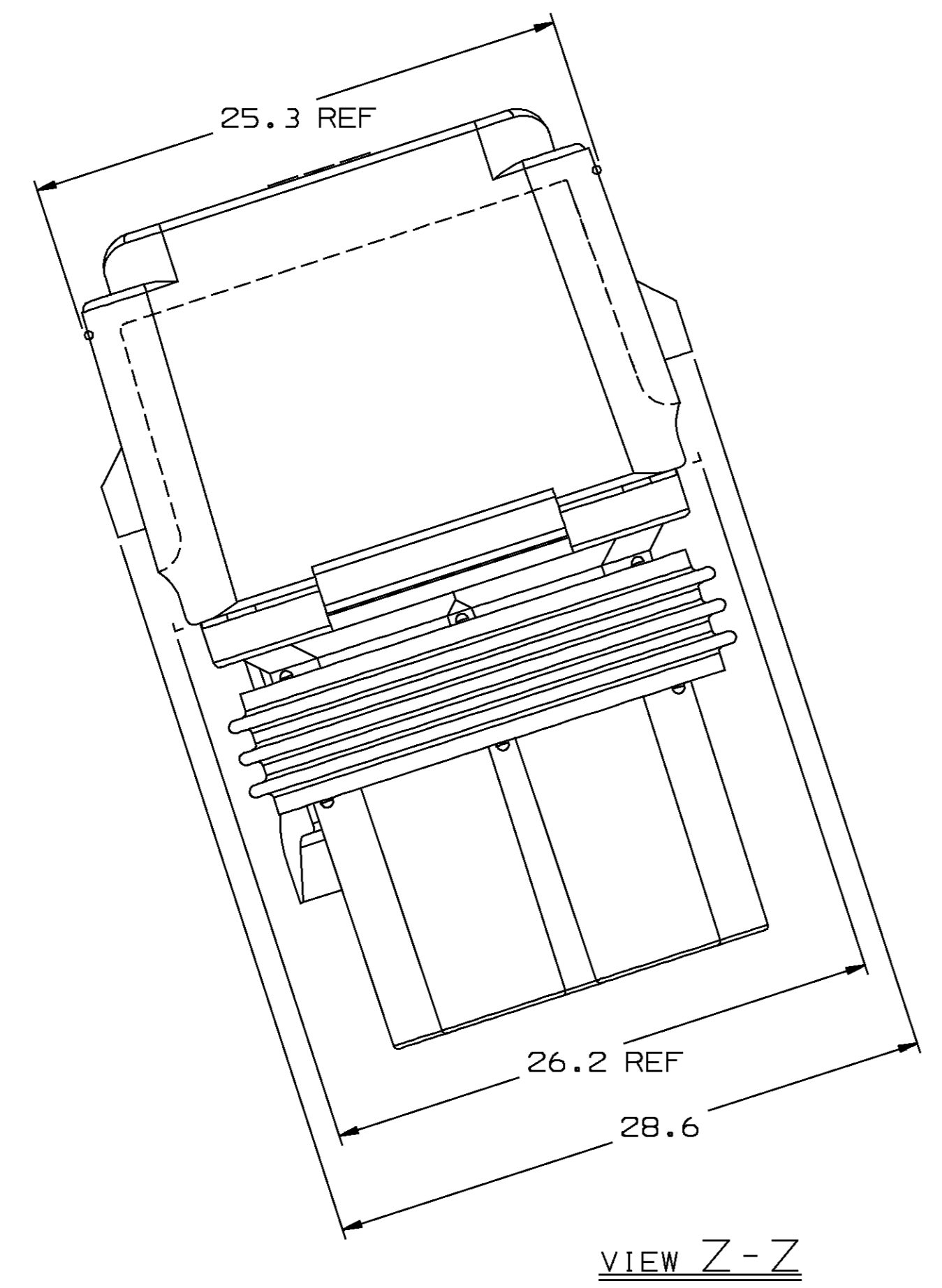


DATE	SYM	REVISION RECORD	AUTH	DR	CK
240C97		15324197 - RELEASED TO			
		REV "A"			970005LBS,JHV
240C97		12034342 - WAS SEPARATE			
		"C" SIZE - REV LEVEL			
		REMAINS AT "A"			182643LBS,JHV



- NOTES:
- UNLESS OTHERWISE SPECIFIED AND/OR INDICATED: DIMENSIONS ARE TO FACE OF VIEW SHOWN AND AUTOMATICALLY ROUNDED BY COMPUTER FOR INSPECTION. (SEE MATH MODEL FOR PRECISE DIMENSION) FOR ALL OTHER DIMENSIONS NOT SHOWN BUT REQUIRED FOR TOOL BUILD, SEE MATH MODEL FOR PRECISE TOOL PATH DATA.
  - MATING CONNECTOR - SEE CHART.
  - USE MALE TERMINAL 12089040 OR EQUIVALENT FOR "PANEL MOUNT" (DEVICE) APPLICATIONS.
  - USE FEMALE TERMINAL 12089188 OR EQUIVALENT FOR "IN-LINE" APPLICATIONS.
  - WHEN PARTS ARE SHIPPED, THEY MUST BE PACKED IN PLASTIC BAGS, OR SHIPPING CONTAINERS MUST BE LINED WITH PLASTIC LINERS. BAGS OR LINERS MUST BE SEALED TO AVOID ENTRY OF FOREIGN MATTER.
  - SEALING CODE 3.
  - WHEN DESIGNING A PART TO MATE TO THIS WEATHER PACK CONNECTOR, REQUEST THE LATEST COPY OF DRAWING NUMBER 12020084 FROM THE PACKARD ELECTRIC DIVISION.
- DESIGN WILL PASS SALT FOG AND IMMERSION TEST AFTER CONDITIONING AS SPECIFIED IN ESA-644 (WEATHER-PACK), ESA-710 (METRI-PACK), ESA-650 (UNDERHOOD MICRO-PACK), C-4006 (WORLD CONNECTOR), ETC. - WHEN MATED TO MATING PART OR EQUIVALENT.

PART NO  
1532 4199

PART NO  
1532 4199

DRAWING TYPE PID	OTHER DRAWINGS AVAILABLE
<b>Ugraphics II</b>	<b>METRIC</b> DIMENSIONS ARE IN MILLIMETERS UNLESS OTHERWISE SPECIFIED
THIRD ANGLE PROJECTION	TOLERANCE UNLESS OTHERWISE SPECIFIED DECIMALS ANGULARS 2°
CODE NO 6900	DES ONE PLACE ±0.3 TWO PLACE ±0.15
DWG DATE 240C97	DR J. BARQUIN 240C97
SCALE 4:1	CK JOSE HUERTA 18N097
REFERENCE NO	APPR. GALLEGOS 09DE97
MATERIAL SPEC	VOL CM³
SEE CHART	
NAME TAXI ASM CONN 5 W/P TWR SLD	
PART NUMBER 1532 4199	
SIZE AO	

PART NO	REV	STATUS	TYPE	CONNECTOR BODY	STANDARD DESCRIPTION	REFERENCE TERMINAL/GENDER	SEAL	MATING CONNECTOR
15324197	A		102	15324196	ASM CONN 5F W/P TWR SLD	12089188 - FEMALE	12034278	12065158
12034342	A		101	12034277	ASM CONN 5M W/P TWR SLD	12089040 - MALE	12034278	12034276

DELPHI PACKARD ELECTRIC SYSTEMS  
WARREN, OHIO 44890