
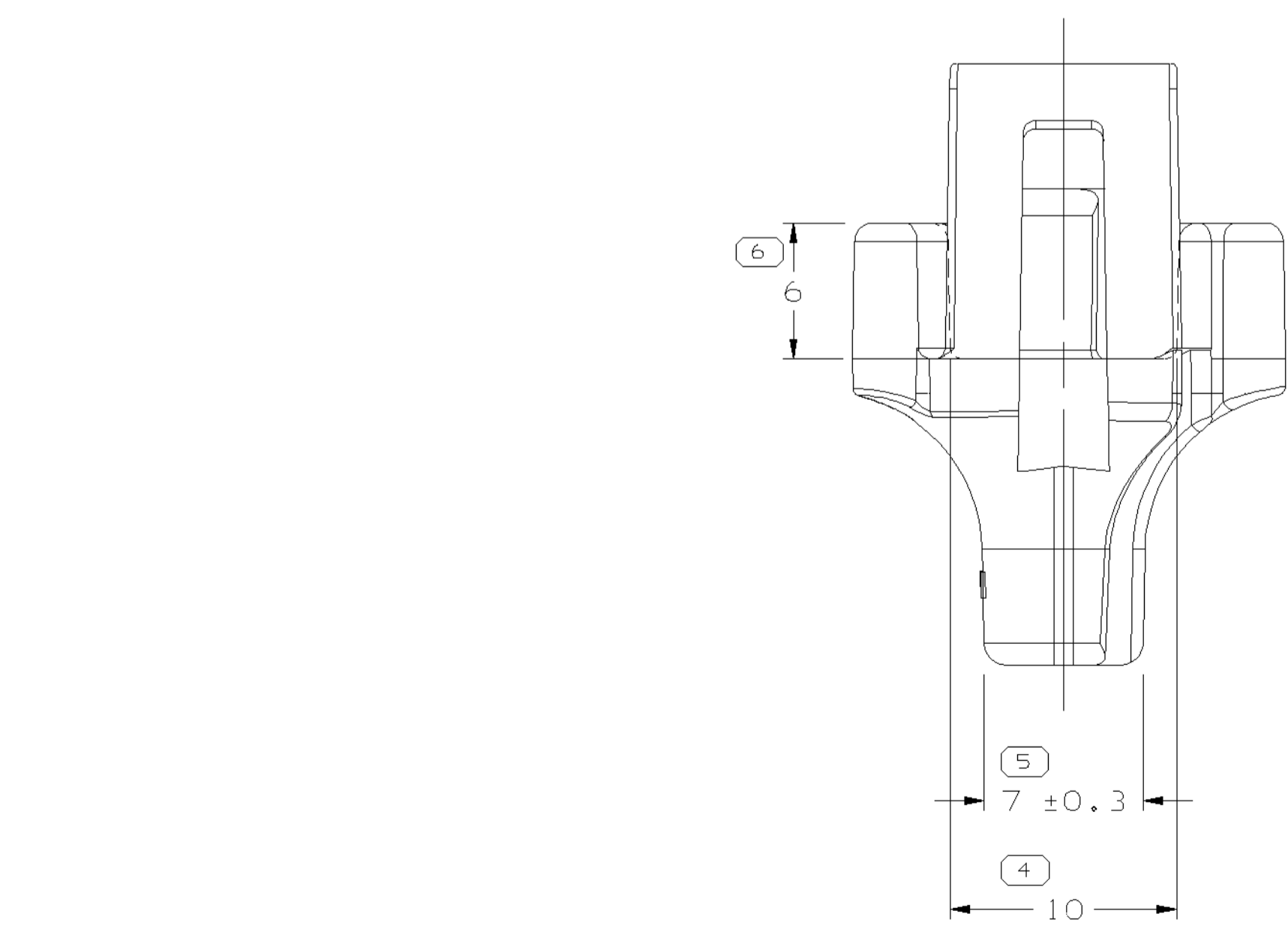
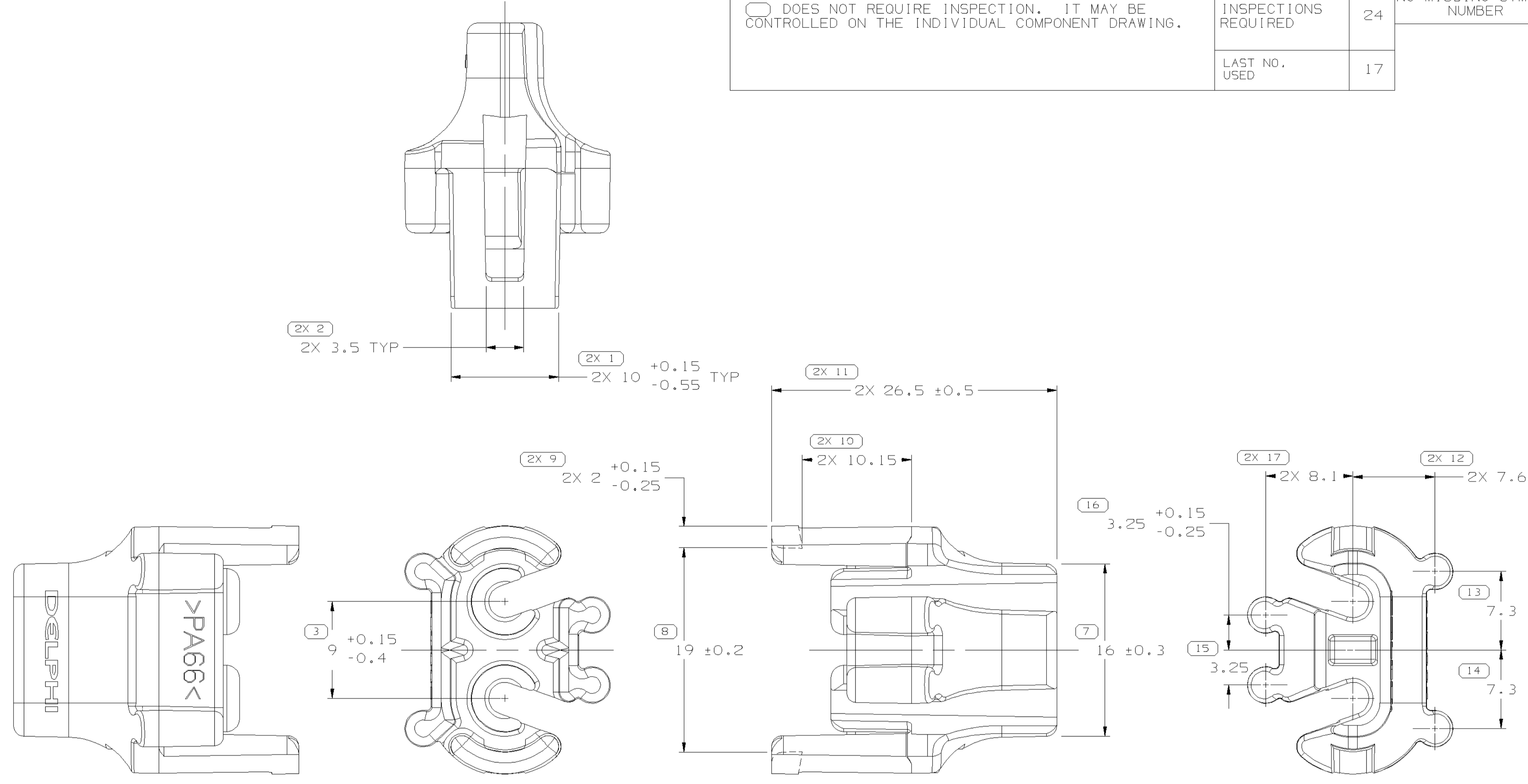


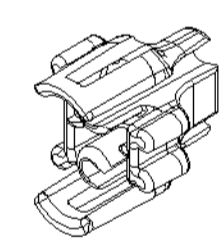
SYMBOL DEFINITION	
A DIMENSION WITHOUT AN INSPECTION REPORT SYMBOL  DOES NOT REQUIRE INSPECTION. IT MAY BE CONTROLLED ON THE INDIVIDUAL COMPONENT DRAWING.	TOTAL NO OF INSPECTIONS REQUIRED
	24
	LAST NO. USED
	17


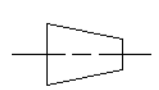
MISSING SYMBOLS		DWG STATUS				ZONE	REVISION HISTORY			AUTH	DR	CK	APVD
DATE	STG	REV	CHG	N/P									
01FE00	R	001	-	-						000009	RH	EOV	RC



NOTES

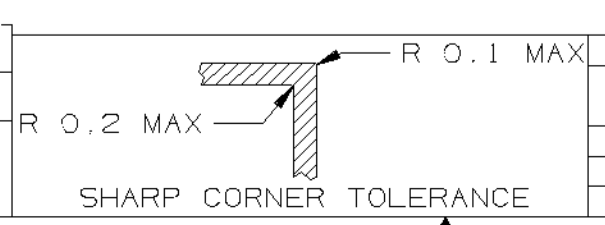
- UNLESS OTHERWISE SPECIFIED AND/OR INDICATED: DIMENSIONS ARE TO FACE OF VIEW SHOWN AND AUTOMATICALLY ROUNDED BY COMPUTER FOR INSPECTION (SEE MATH MODEL FOR PRECISE DIMENSIONS). FOR ALL OTHER DIMENSIONS NOT SHOWN BUT REQUIRED FOR TOOL BUILD, SEE MATH MODEL FOR PRECISE TOOL PATH DATA.
- MATERIAL RECYCLING CODE >PA66< PER SAE J1344. (2.3)X(0.1) RAISED CHARACTERS AS SHOWN TO BE LOCATED ON ANY EXTERIOR SURFACE. OPTIONAL CONSTRUCTION TO BE NO MATERIAL RECYCLING CODE.
- THIS PART IS NOT CONTROLLED FOR AUTOMATIC FEEDING.
- MATING COMPONENTS OR EQUIVALENT: CONNECTOR 12020808
- (2.3)X(0.1) RAISED DELPHI CORPORATE BRAND TO BE LOCATED ON ANY EXTERIOR SURFACE, PREFERABLY VISIBLE AT FINAL ASSEMBLY. OPTIONAL CONSTRUCTION TO BE "PED" OR NO LOGO.
- THE MATERIAL SPECIFIED CANNOT BE CHANGED WITHOUT THE APPROVAL OF THE SUPERVISOR OF COMPONENT LIAISON OR HIS DELEGATE.



DELPHI Automotive Systems			
MATERIAL SPEC SEE CHART			
SUBSTANCES OF CONCERN AND RECYCLED CONTENT PER DELPHI-A 10949001			
PART DRAWING			DISTR CODE
CODE NUMBER 6900	DWG DATE 31MY89	SCALE 4:1	D
QC SPEC	STYLE	VOLUME cm ³ SEE CHART	
PART GEOMETRY 3D SOLID	UNLESS OTHERWISE SPECIFIED:		
	THIS DOCUMENT IS IN ACCORDANCE WITH ASME Y14.5M - 1994 AS AMENDED BY THE GM GLOBAL DIMENSIONING AND TOLERANCING ADDENDUM - 1997. ALL GEOMETRIC TOLERANCES AND RELATED DATUMS APPLY RFS. RULE #1 (PERFECT FORM AT MMC) DOES NOT APPLY WHEN RELATIONSHIP BETWEEN FEATURES IS ESTABLISHED BY ORIENTATION OR LOCATION TOLERANCES. SEPARATE POSITION CALLOUTS MAY BE GAGED SEPARATELY REGARDLESS OF DATUM REFERENCES.		
CHANGE RESTRICTED NO MANUAL CHANGES			
COPY OF MATH DATA DO NOT SCALE	REFERENCE	DR	DATE
		APVD1 R. HERMOSILLO	01FE00
METRIC UNLESS OTHERWISE SPECIFIED, ALL DIMENSIONS ARE IN MILLIMETERS		APVD2 E. VAZQUEZ	01FE02
		APVD3 R. CORZAS	01FE02
		APVD4	
	APVD5		
THIRD ANGLE PROJECTION	DRAWING NAME		
	TAXI TPA M/P 280		
SHEET NUMBER 1 OF 1	DRAWING NUMBER 12089765	DWG STATUS STG REV N/P R 001 -	SIZE A1

12089754	CI	-	M3592025 PA66 IM HS GRA MD	2.588
12034446	E1	-	M3592001 PA66 IM HS BLK	2.588
PART NO	REV	N/P	STATUS	MATERIAL SPECIFICATION AND COLOR
				VOLUME CM ³

DIMENSIONAL RANGE (MM)		CHART (E)	
FROM	TO	0	> 300
		20	300
		30	250
		70	200
		100	150
		150	100
		200	70
		250	30
		300	20
TOLERANCE UNLESS OTHERWISE SPECIFIED			
		±0.15	±0.2
		±0.3	±0.4
		±0.5	±0.6
		±0.8	±1
		±1	±1.2
ANGULAR TOLERANCE ± 2°			



(11) PROCESS SENSITIVE DIMENSION
DIMENSIONS ENCLOSED IN () INDICATE REFERENCE DIMENSIONS AND NO TOLERANCE LIMITS ARE ESTABLISHED