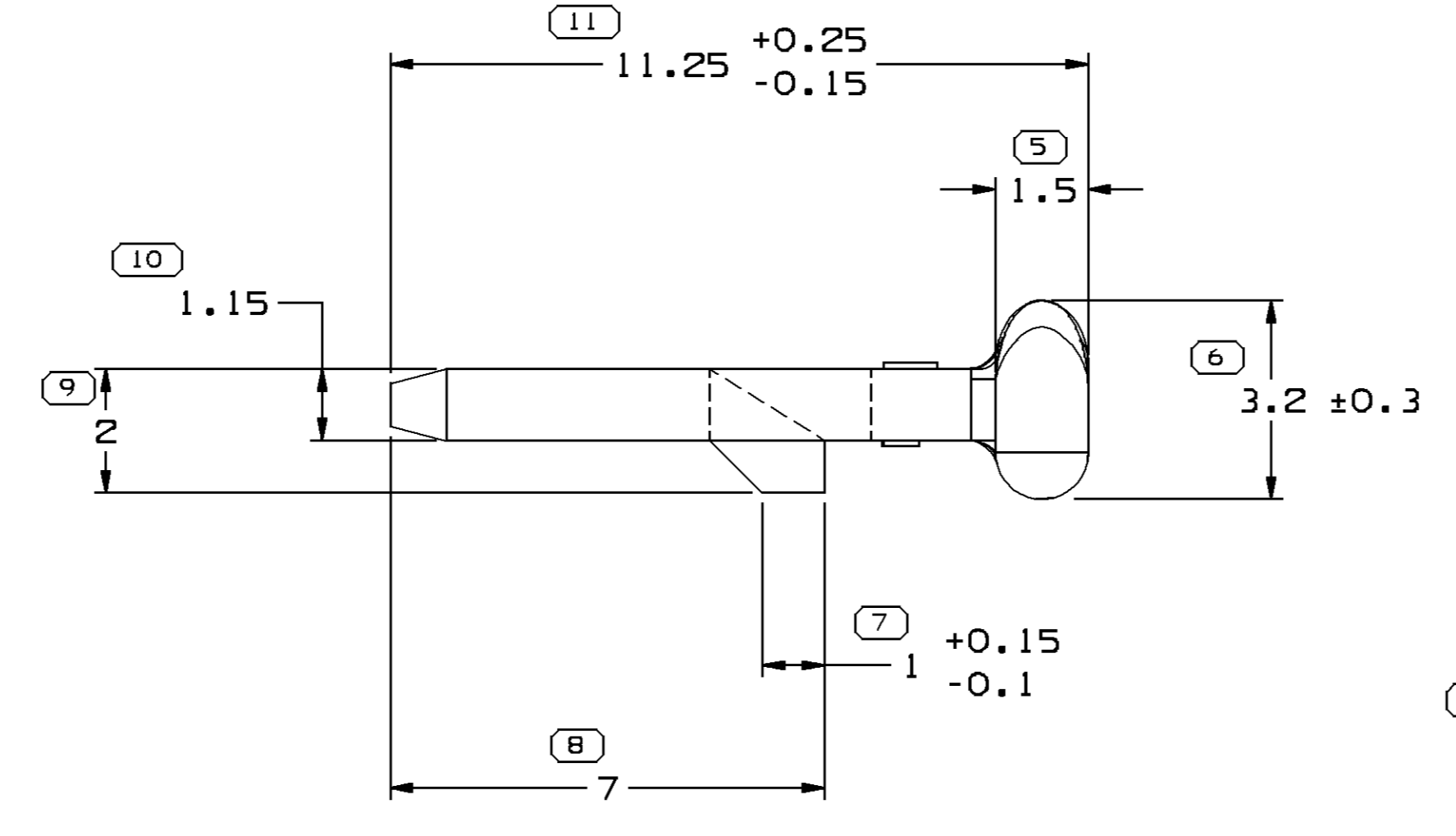
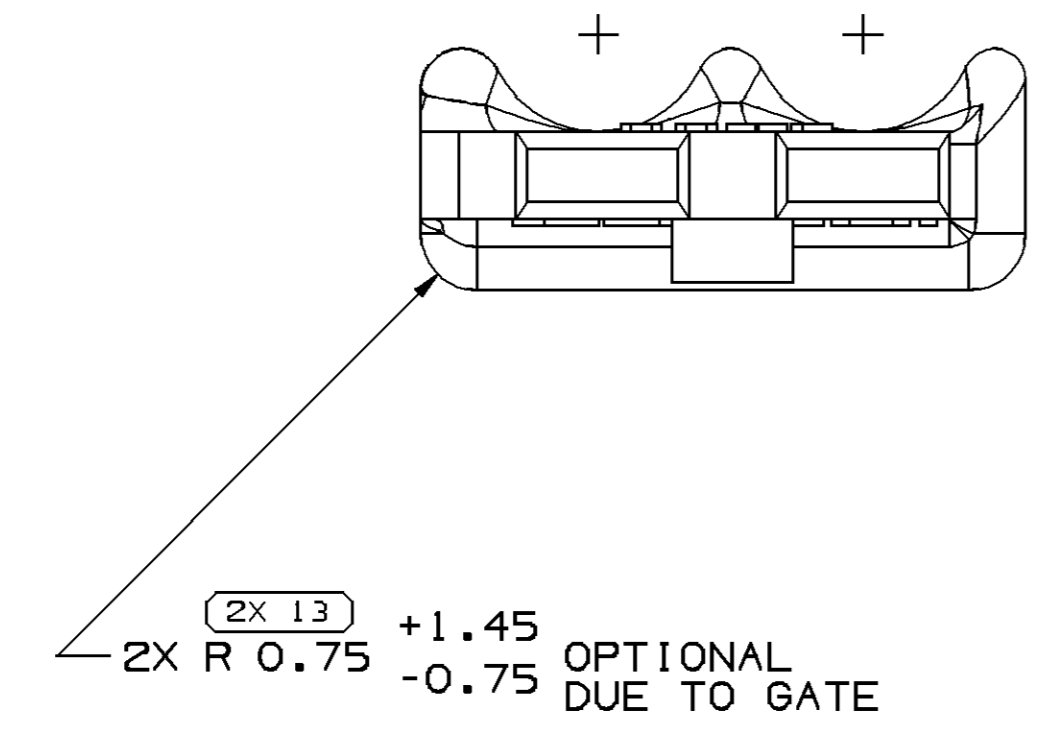
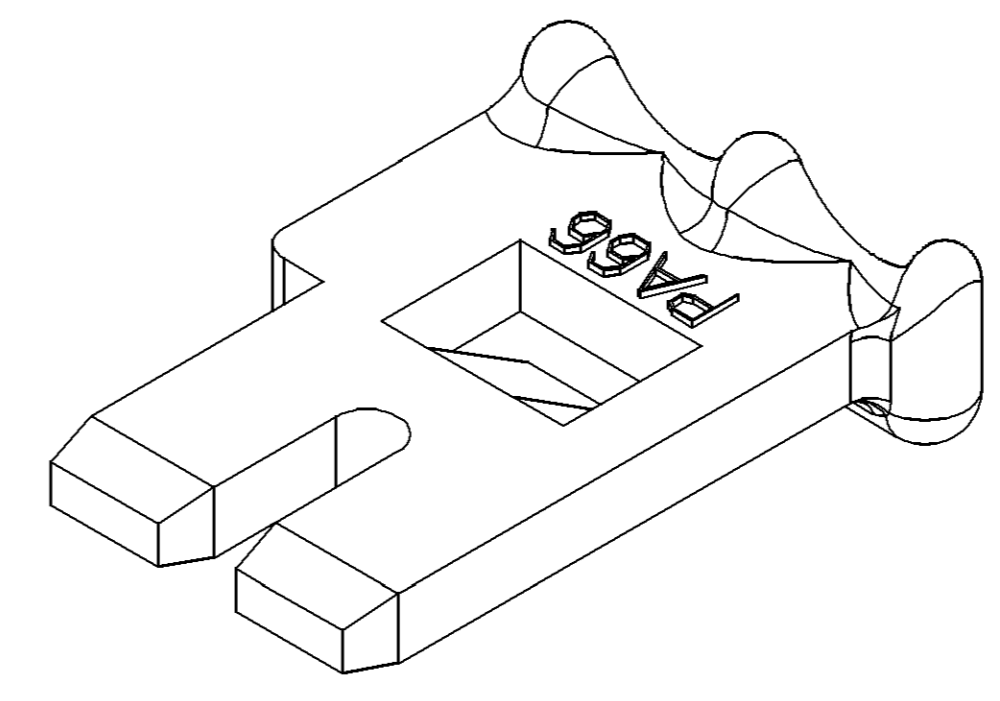
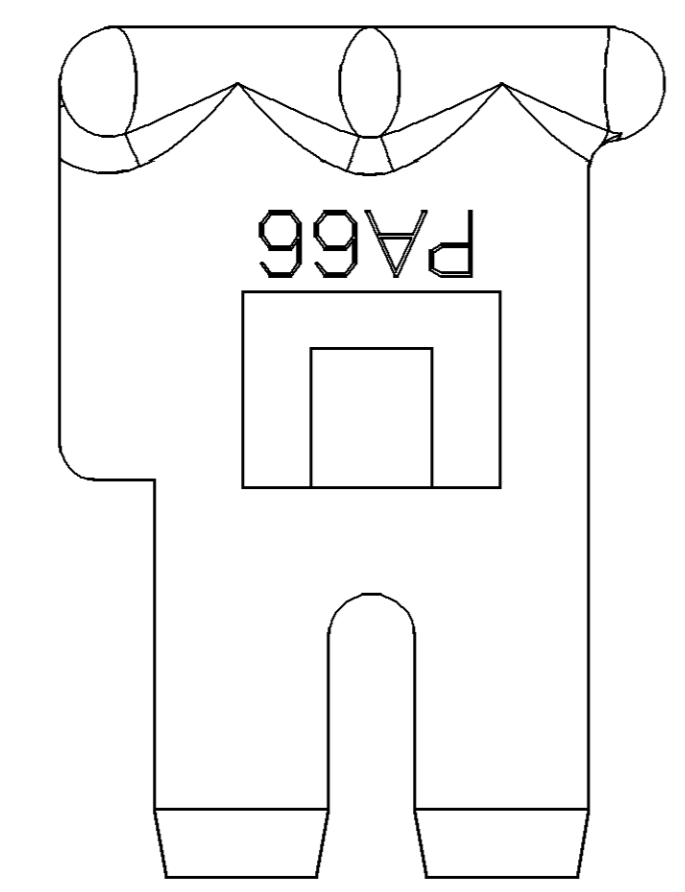
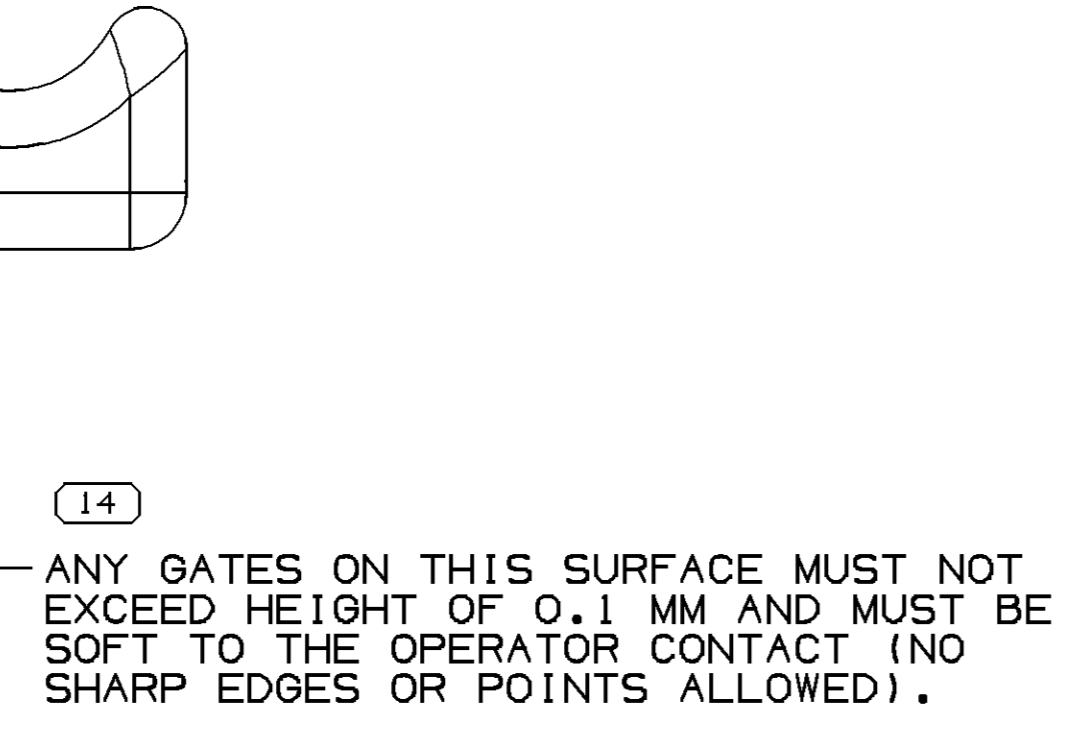
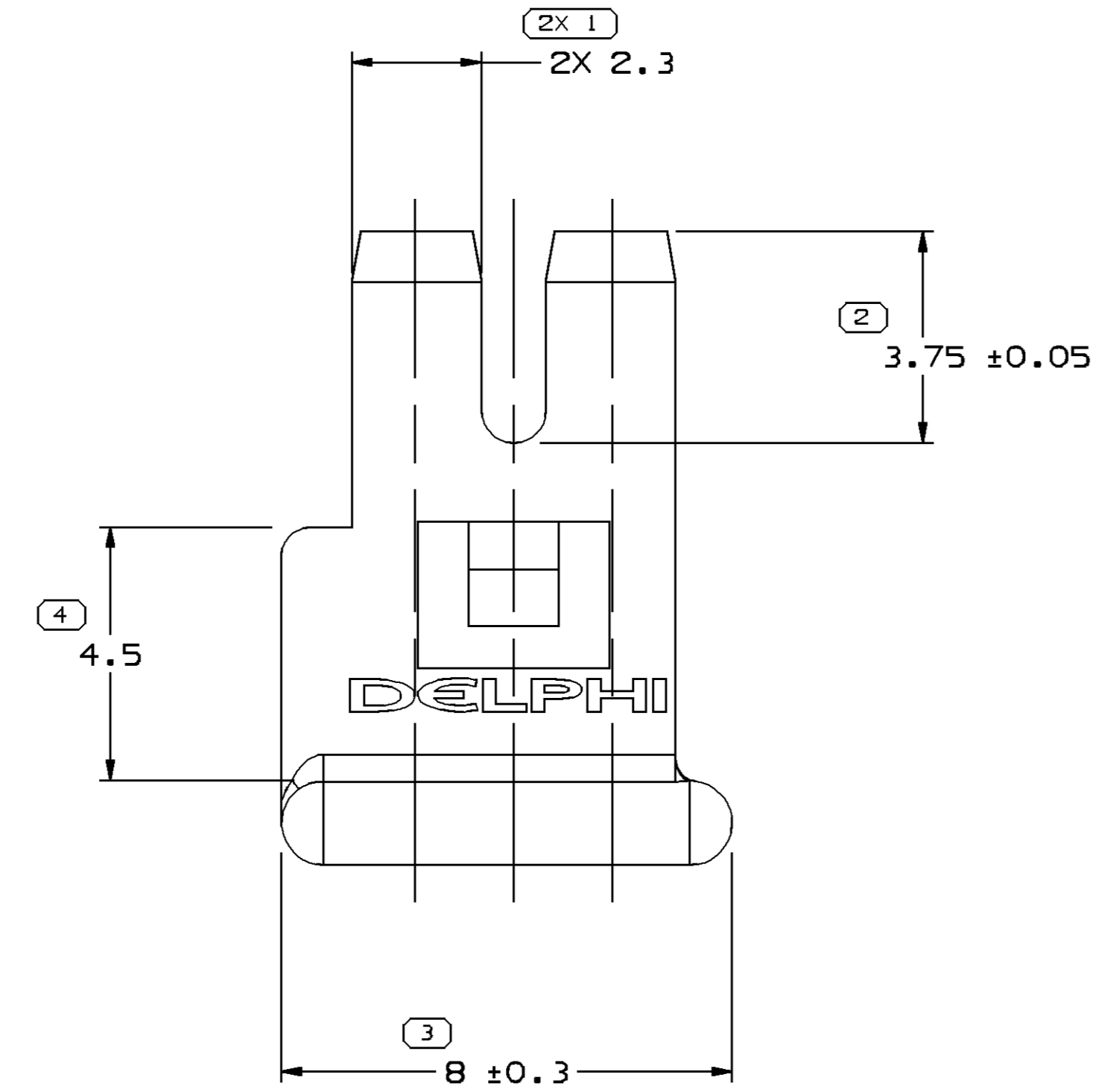


| SYMBOL DEFINITION | | TOTAL NO OF INSPECTIONS REQUIRED | MISSING SYMBOLS |
|--|--|----------------------------------|--------------------------|
| A DIMENSION WITHOUT AN INSPECTION REPORT SYMBOL DOES NOT REQUIRE INSPECTION. IT MAY BE CONTROLLED ON THE INDIVIDUAL COMPONENT DRAWING. | | 16 | NO MISSING SYMBOL NUMBER |
| LAST NO. USED | | 14 | |

| DWG STATUS | | | | REVISION HISTORY | | | | AUTH | DR | AP/D |
|------------|-----|-----|-----|------------------|------|--|--------|------|-----|------|
| DATE | STO | REV | N/P | CHG | ZONE | | | | | |
| 01M102 | R | AB | - | - | | CLEARED REVISION COLUMN, ADDED OPTIONAL CONSTRUCTION, NOTE, DIMENSION & REVISED MAT'L SPEC | 223852 | LEB | BEG | 6MC |
| 12AU03 | R | A9 | - | - | | UPDATED PDM ATTRIBUTES | 244613 | GMZ | GMZ | 6M |
| 08N006 | R | DI | AK | - | | 12047664 RESTRICTED REPLACED BY 15324070 | 286563 | MM | MM | 6B |



12 NO GATES, PROTRUSIONS OR SHARP EDGES ALLOWED ON THIS SURFACE.



14 ANY GATES ON THIS SURFACE MUST NOT EXCEED HEIGHT OF 0.1 MM AND MUST BE SOFT TO THE OPERATOR CONTACT (NO SHARP EDGES OR POINTS ALLOWED).

OPTIONAL CONSTRUCTION

NOTES

- UNLESS OTHERWISE SPECIFIED AND/OR INDICATED: DIMENSIONS ARE TO FACE OF VIEW SHOWN AND AUTOMATICALLY ROUNDED BY COMPUTER FOR INSPECTION (SEE MATH MODEL FOR PRECISE DIMENSIONS). FOR ALL OTHER DIMENSIONS NOT SHOWN BUT REQUIRED FOR TOOL BUILD, SEE MATH MODEL FOR PRECISE TOOL PATH DATA.
- MATERIAL RECYCLING CODE >PA66< PER SAE J1344. (2.3)X(0.1) RAISED CHARACTERS AS SHOWN TO BE LOCATED ON ANY EXTERIOR SURFACE. OPTIONAL CONSTRUCTION TO BE NO MATERIAL RECYCLING CODE.
- THIS PART IS NOT CONTROLLED FOR AUTOMATIC FEEDING.
- MATING COMPONENTS OR EQUIVALENT: CONNECTOR 12047662 & 12047785
- (2.3)X(0.1) RAISED DELPHI CORPORATE BRAND TO BE LOCATED ON ANY EXTERIOR SURFACE, PREFERABLY VISIBLE AT FINAL ASSEMBLY. OPTIONAL CONSTRUCTION TO BE "PED" OR NO LOGO.

RESTRICTED USAGE
REPLACED BY
15324070

DELPHI
DELPHI PACKARD ELECTRIC SYSTEMS
WARREN, OH

| | |
|------------------|---------|
| DR | DATE |
| APV01 E. VAZQUEZ | 15.JNO1 |
| APV02 E. VAZQUEZ | 15.JNO1 |
| APV03 G. MACIAS | 18.JNO1 |
| APV04 | |
| APV05 | |

WATERLUN
W3592025 PA66 HS 1M GRA MD

LOCK SECONDARY TPA M/P GRA MD

12047664

SCALE: 10:1
SHEET NO: 1 OF 1
REV: R 01

DWG TYPE: PART DRAWING

STYLE: 0,085

DISTR CODE: D

UNLESS OTHERWISE SPECIFIED
THIS DOCUMENT IS IN ACCORDANCE WITH ASME Y14.5M-1994
AS INDICATED BY THE M SCHEMATIC IDENTIFICATION AND
TOLERANCE ADDRESSES SHALL SEPARATE MATTERS OF
FEATURES MAY BE DIMED SEPARATELY PER RULES OF DIMM
REFERENCES.

ALL DIMENSIONS ARE IN MILLIMETERS

REFERENCE

THIRD ANGLE PROJECTION

DO NOT SCALE

USE MATH DATA

UNIRAPIDS

| DIMENSIONAL RANGE (MM) | TOLERANCE UNLESS OTHERWISE SPECIFIED | SHORT ET |
|------------------------|--------------------------------------|----------|
| FROM > 0 | > 20 | > 30 |
| TO | 20 | 30 |
| | 30 | 70 |
| | 70 | 100 |
| | 100 | 150 |
| | 150 | 200 |
| | 200 | 250 |
| | 250 | 300 |
| | 300 | 400 |
| | 400 | |

ANGULAR TOLERANCE 32°