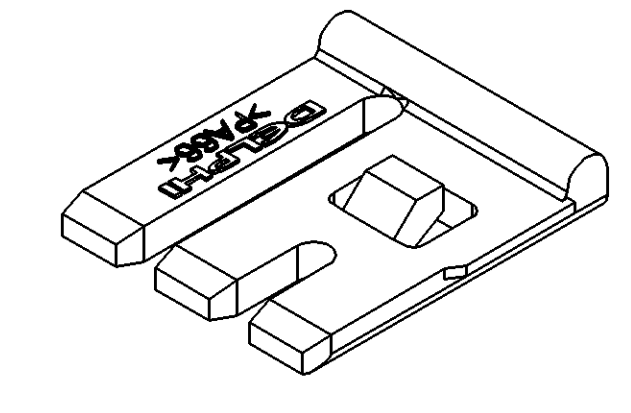
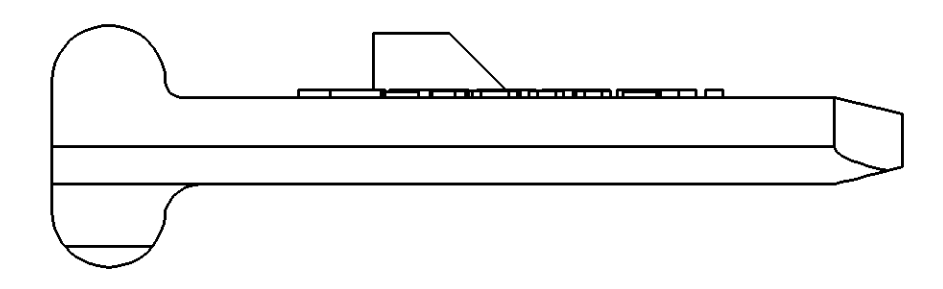
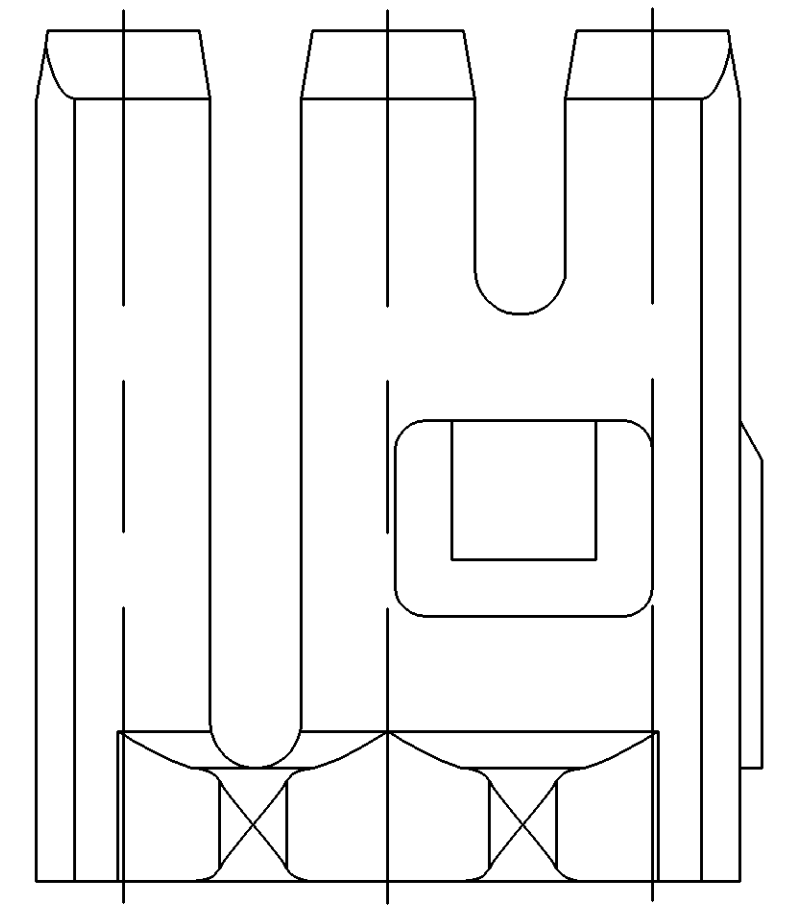
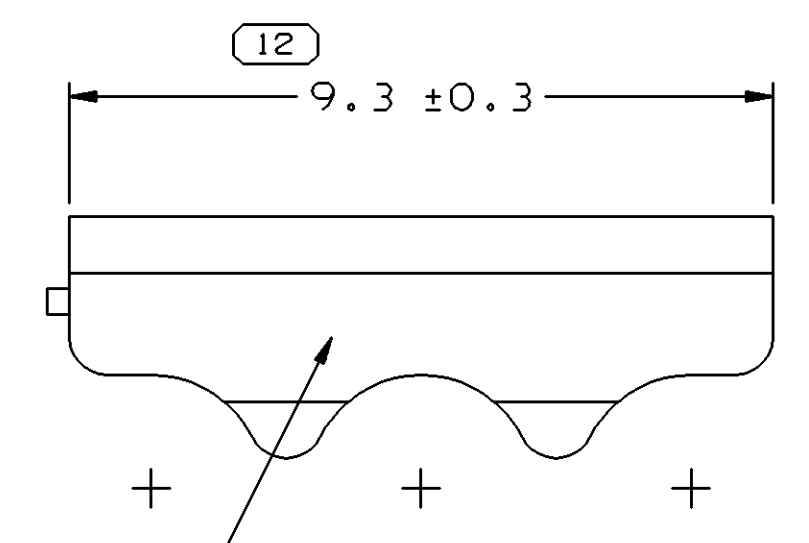
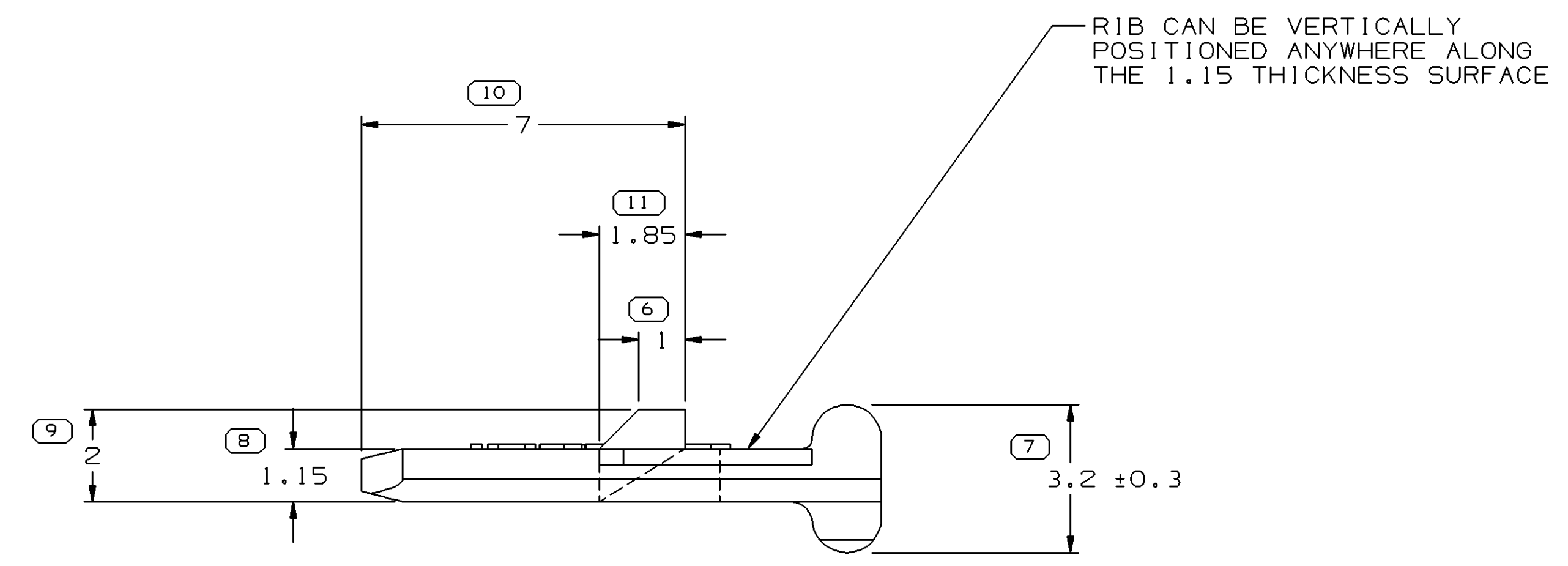
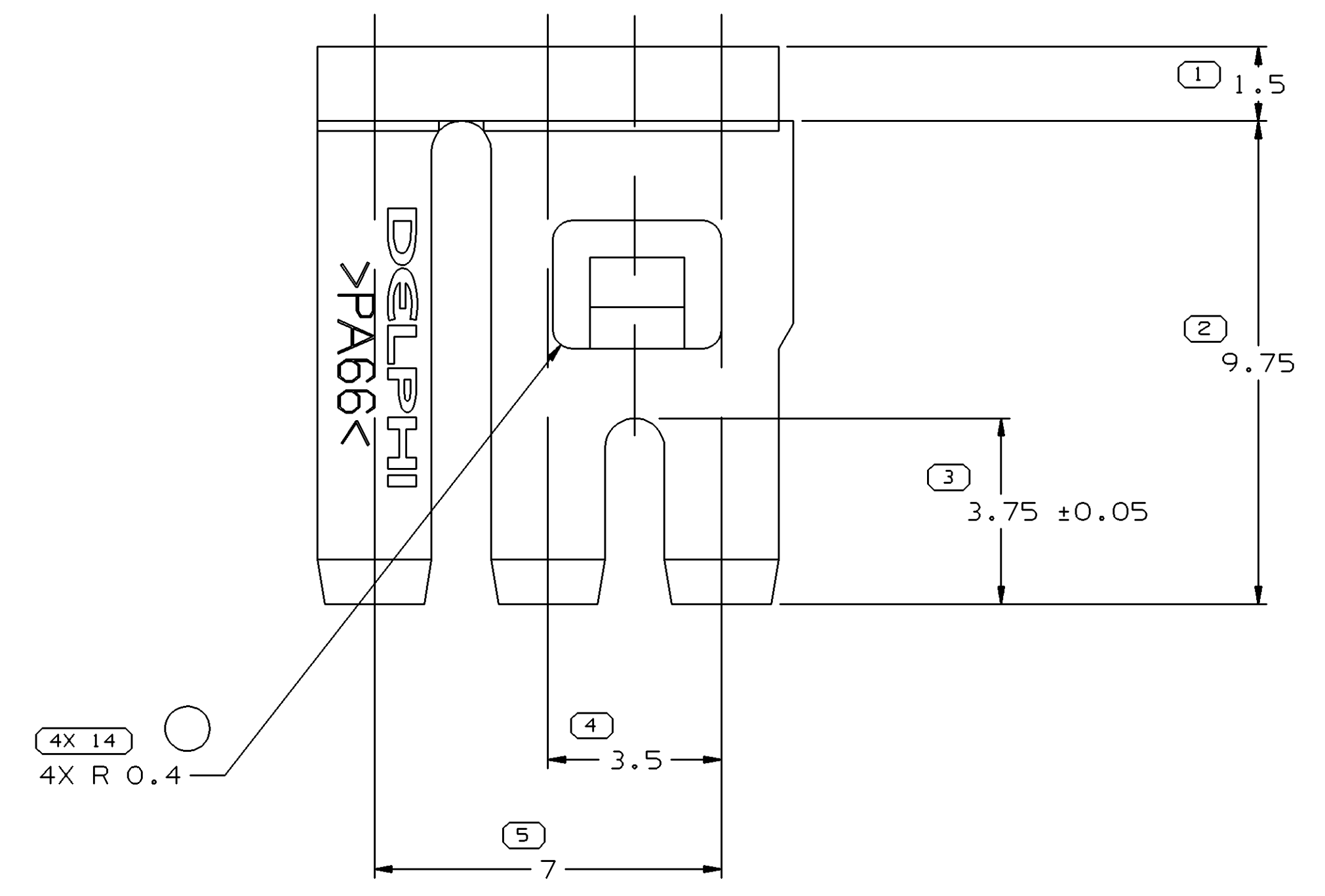


SYMBOL DEFINITION		MISSING SYMBOLS	
A DIMENSION WITHOUT AN INSPECTION REPORT SYMBOL DOES NOT REQUIRE INSPECTION. IT MAY BE CONTROLLED ON THE INDIVIDUAL COMPONENT DRAWING.	TOTAL NO OF INSPECTIONS REQUIRED	NO MISSING SYMBOL NUMBER	
	17		
	LAST NO. USED		
	14		

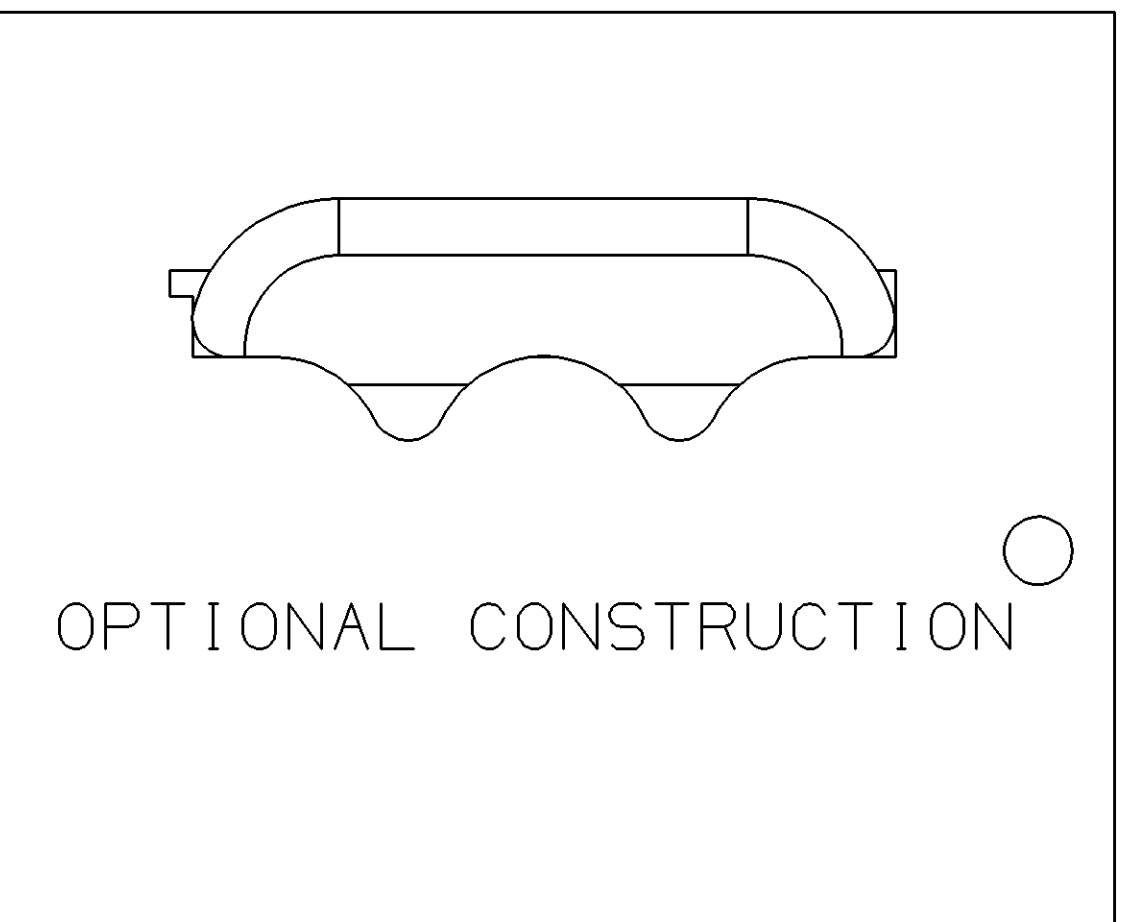
DWO STATUS					REVISION HISTORY			AUTH	DR	APVD	REV
DATE	STG	REV	N/P	CHG	ZONE						
26JUL02	R	01	-	-		12047783 - WAS A SEPARATE DRAWING, ADDED ANTI-RATTLE RIBS, & REVISED MAT'L SPEC;	15441909 - RELEASED	227639	AFM	EDV	GM
24SE02	R	02	-	-		REVISED GRAPHICS		230972	AFM	EDV	GM
080C02	R	03	-	-		ALL PARTS - ADDED RIB NOTE		231694	EDV	EDV	SMC
210C03	R	04	-	-		ALL PARTS - OPTIONAL CONSTRUCTION WAS PREFERRED CONSTRUCTION AND ADDED NOTE; ADDED DIM		246397	BYP	AFM	BG



VIEW SCALE DO NOT REFLECT ACTUAL PART SIZE

NOTES

- UNLESS OTHERWISE SPECIFIED AND/OR INDICATED: DIMENSIONS ARE TO FACE OF VIEW SHOWN AND AUTOMATICALLY ROUNDED BY COMPUTER FOR INSPECTION (SEE MATH MODEL FOR PRECISE DIMENSIONS). FOR ALL OTHER DIMENSIONS NOT SHOWN BUT REQUIRED FOR TOOL BUILD, SEE MATH MODEL FOR PRECISE TOOL PATH DATA.
- MATERIAL RECYCLING CODE PER ISO 11469. (2,3)X(0,1) RAISED CHARACTERS AS SHOWN TO BE LOCATED ON ANY EXTERIOR SURFACE. OPTIONAL CONSTRUCTION TO BE NO MATERIAL RECYCLING CODE.
- MATING COMPONENTS OR EQUIVALENT: CONNECTORS 12047781 & 12048102
- (2,3)X(0,1) RAISED DELPHI CORPORATE BRAND TO BE LOCATED ON ANY EXTERIOR SURFACE, PREFERABLY VISIBLE AT FINAL ASSEMBLY. OPTIONAL CONSTRUCTION TO BE "PED" OR NO LOGO.
- THIS PART DOES NOT FALL IN TO THE CATEGORY OF AN APPEARANCE ITEM. MINOR SURFACE IMPERFECTIONS SUCH AS FLOW LINES, EJECTOR PIN MARKS, KNIT LINES, WELD MARKS AND GATE MARKINGS ARE PERMITTED EXCEPT IN AREAS INDICATED ON THIS PRINT.



PART NO	REV	N/P	STATUS	MATERIAL SPECIFICATION AND COLOR	VOLUME CM <sup>3</sup>
15441909	01	AC		M3592008 PA66 HS 1M BLU	0.110
12047783	02	AC		M3592025 PA66 HS 1M GRA MD	0.110

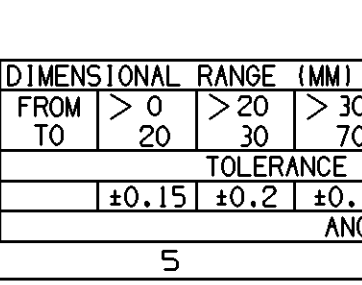
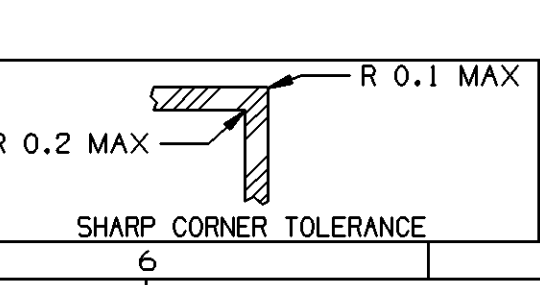
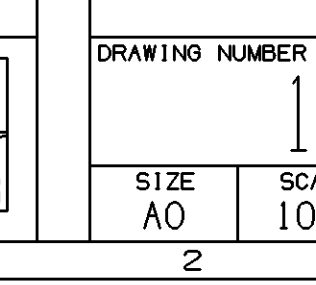
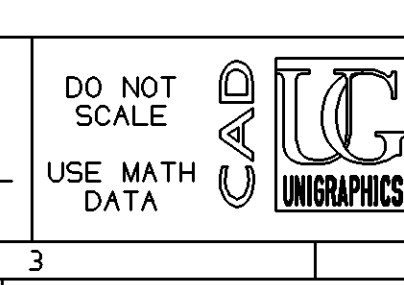
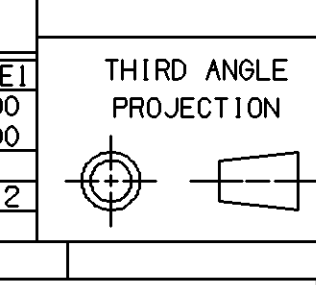


CHART	ET
6900	



SIZE	SCALE	FRAME NO	SHEET NO	STG	REV	N/P
A0	10:1	1	1	1	04	

**DELPHI**  
DELPHI PACKARD ELECTRIC SYSTEMS  
WARREN, OH

DR	DATE
A. FLORES	26JUL02
E. VAZQUEZ	26JUL02
G. MACIAS	26JUL02
APVD3	
APVD4	
APVD5	

MATERIAL: SEE CHART

DRAWING NAME: TAXI LOCK TPA M/P 150

DRAWING NUMBER: 15441910