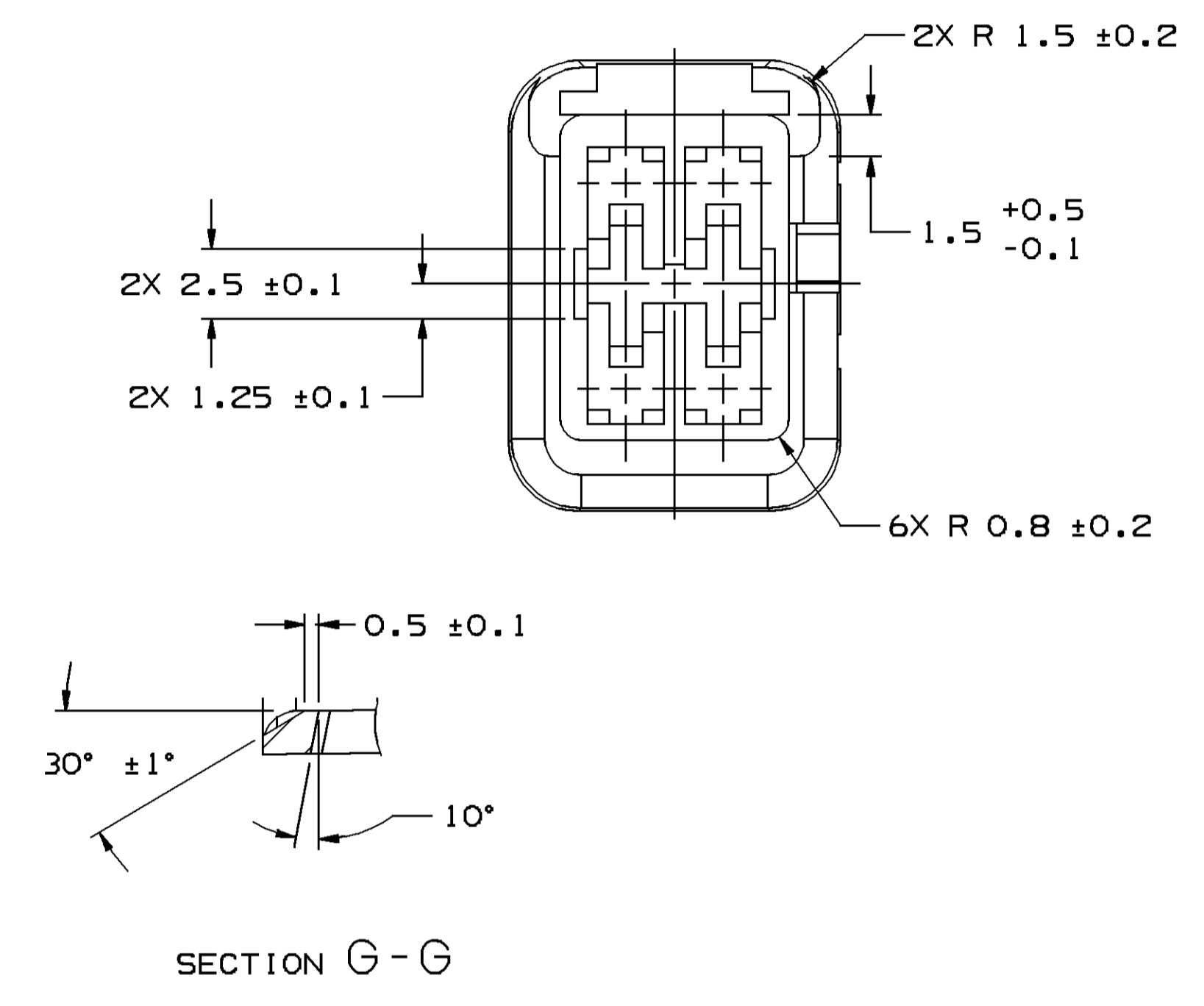
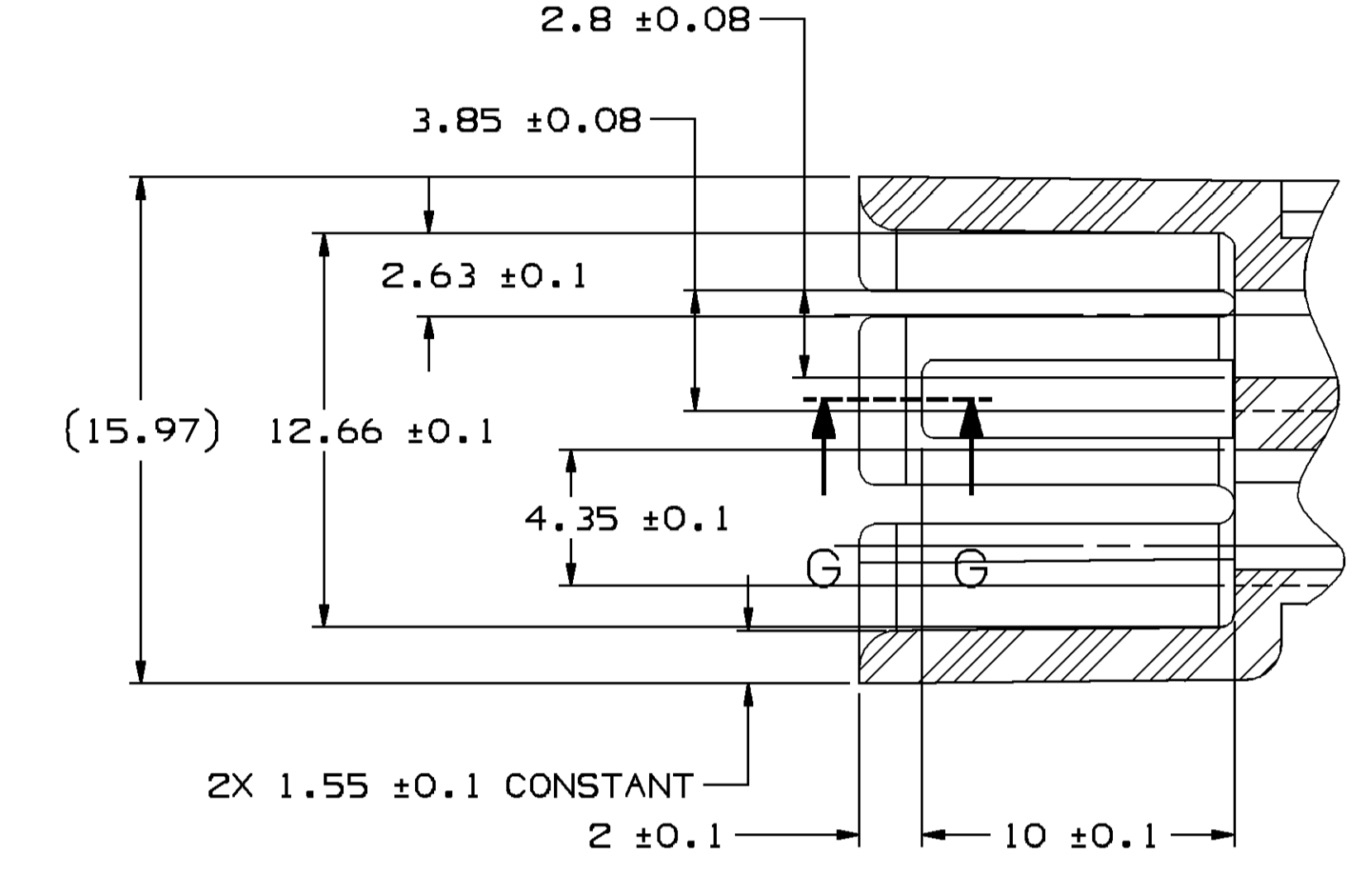
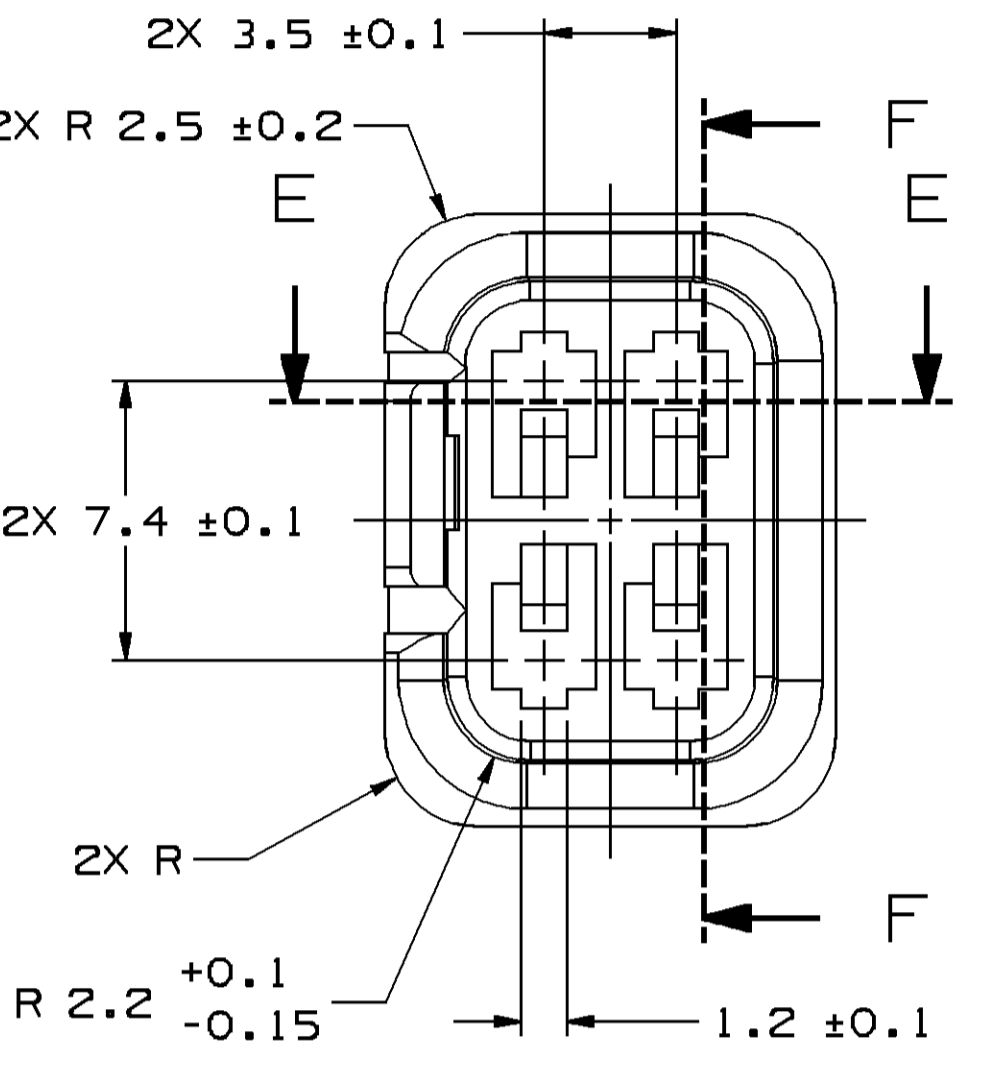
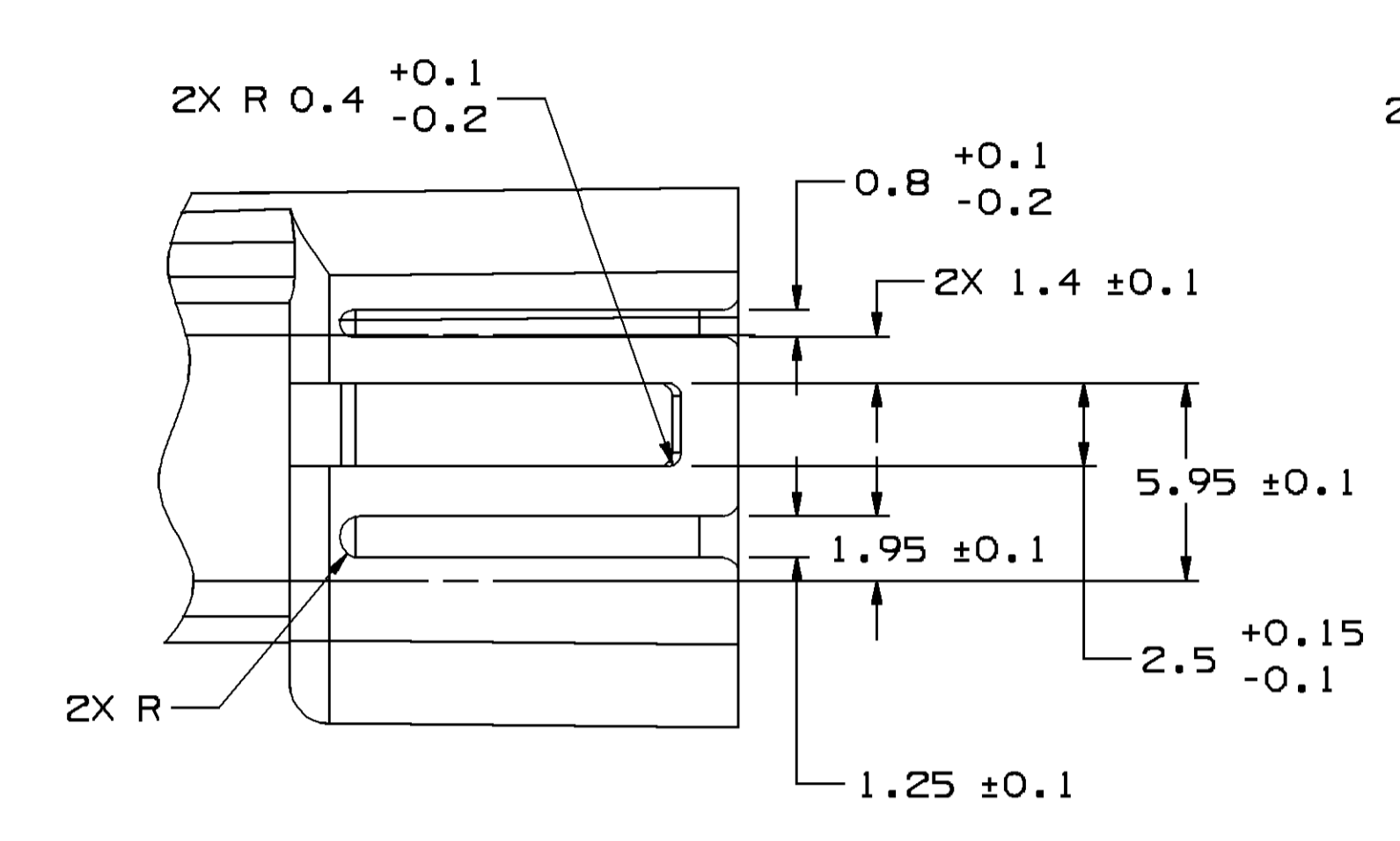
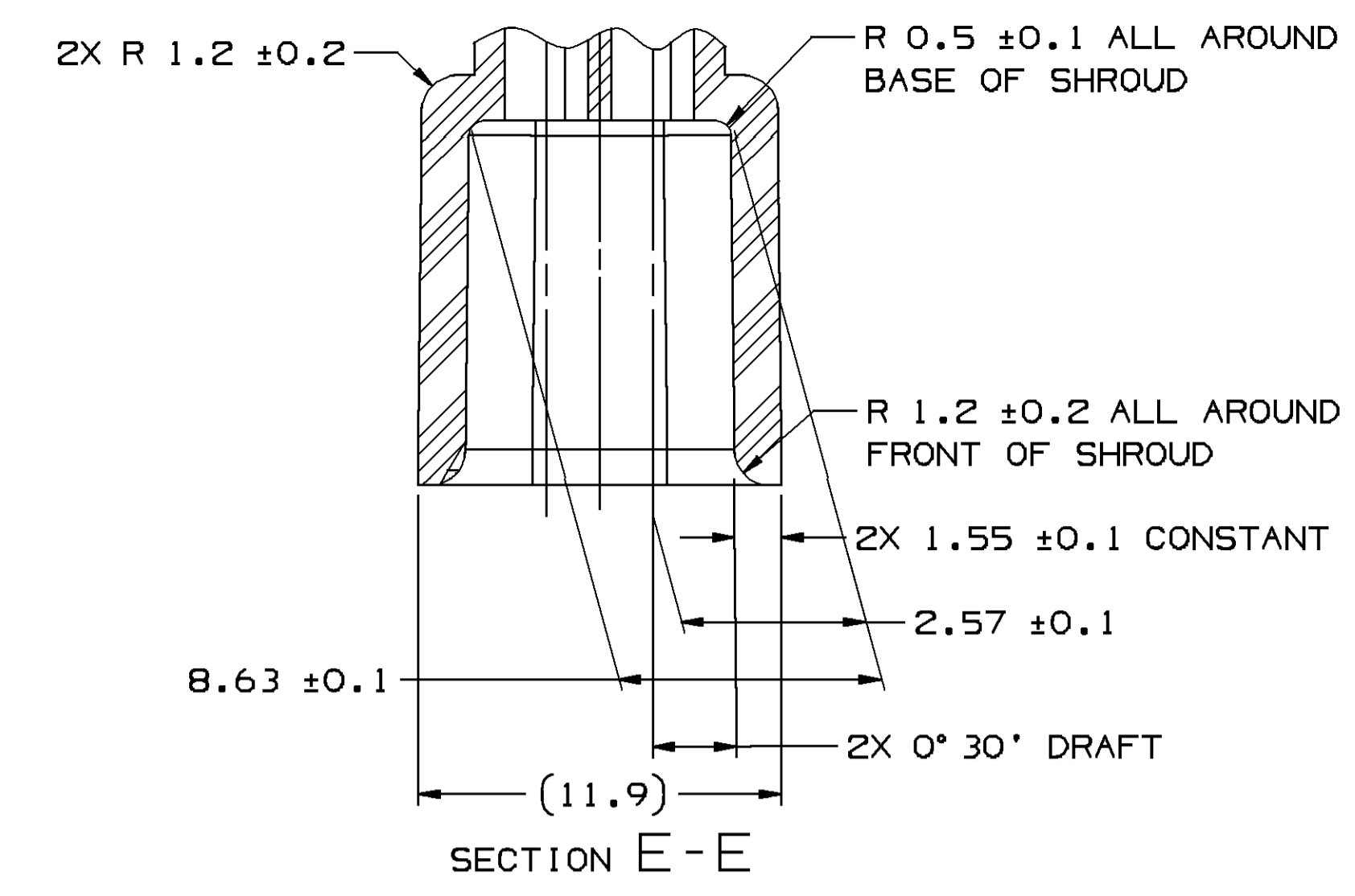


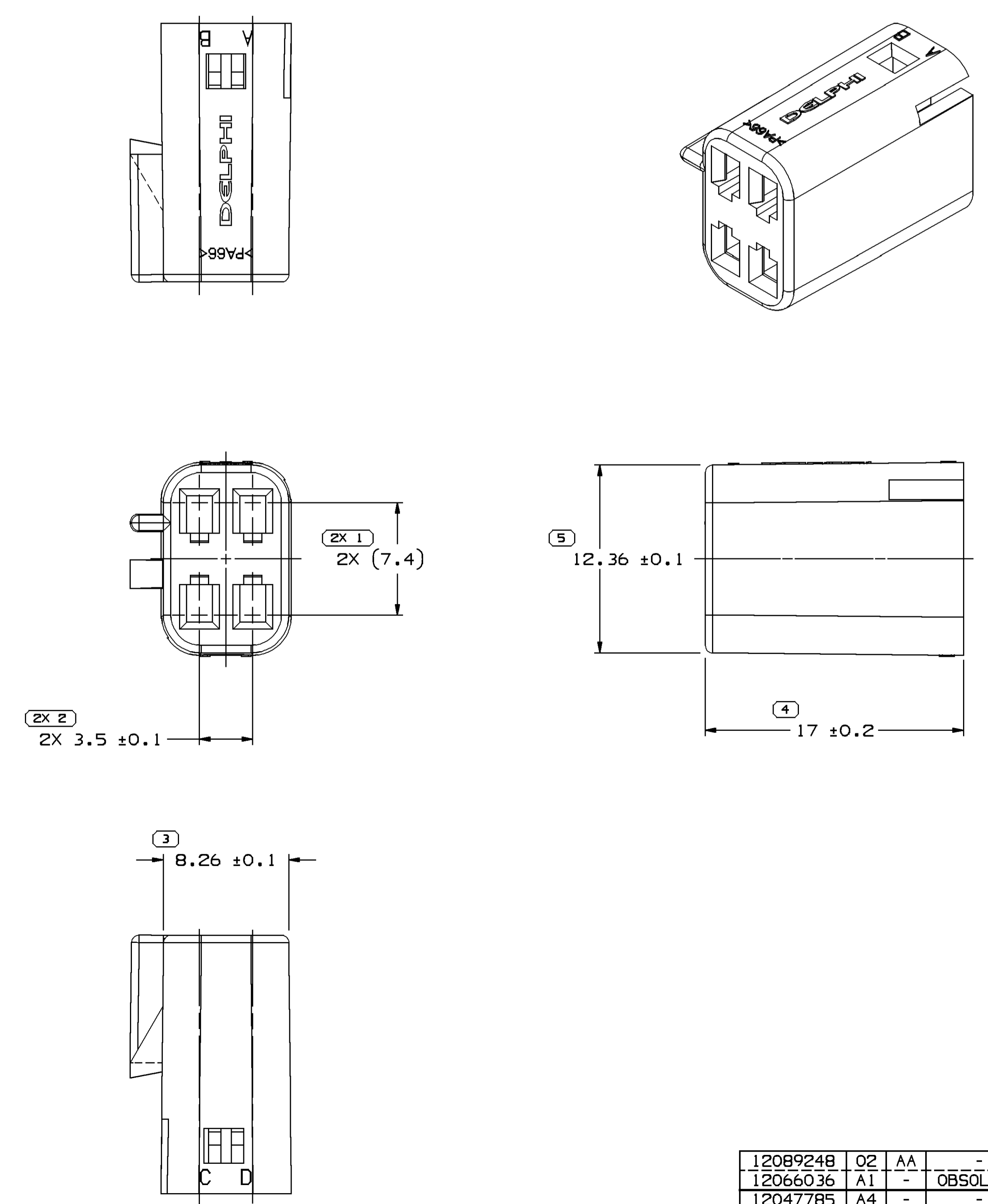
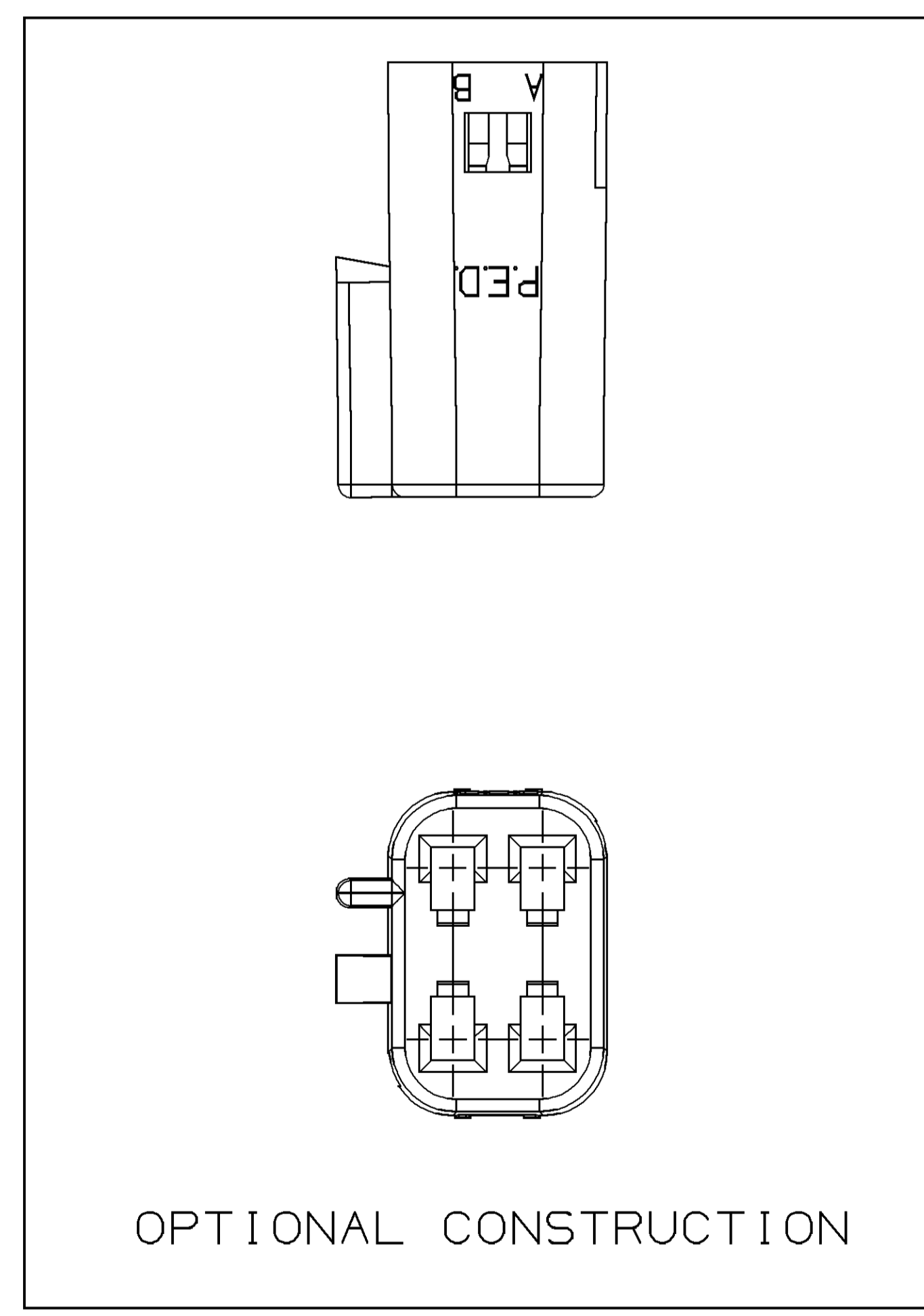
SYMBOL DEFINITION		
A DIMENSION WITHOUT AN INSPECTION REPORT SYMBOL DOES NOT REQUIRE INSPECTION. IT MAY BE CONTROLLED ON THE INDIVIDUAL COMPONENT DRAWING.	TOTAL NO OF INSPECTIONS REQUIRED	7
	LAST NO. USED	5

MISSING SYMBOLS				NO MISSING SYMBOL NUMBER	
DATE	STO	REV	N/P	CHG	ZONE
18AP02	R	01	-	-	-
21AU02	R	02	-	-	-
04SE02	R	03	-	-	-
03MR06	R	04	-	-	-
06AP06	R	05	-	-	-
09NO07	R	06	-	-	-

REVISION HISTORY		AUTH	DR	AP/D	AP/D
CREATED PD, ADDED OPTIONAL LOGO & MAT'L RECYCLING CODE NOTES AND REVISED MAT'L SPEC	223877	JGR	EDV	1	GMC
UPDATED PDM ATTRIBUTES	229398	JGR	EDV	2	GMC
ALL ACTIVE PARTS - SECONDARY TERMINAL LOCK NOTE WAS 12047664	230019	RVP	RVP	3	GMC
12066036 - OBSOLETE	277982	RMG	JAA	4	BDG
12089248 - MAT'L SPEC WAS M3592002	278998	SPS	JAA	5	G61
ALL ACTIVE PARTS - UPDATED PDM ATTRIBUTES	402502	TAI	TAI	6	SLS



MATING CONNECTOR INFORMATION



- NOTES
- UNLESS OTHERWISE SPECIFIED AND/OR INDICATED: DIMENSIONS ARE TO FACE OF VIEW SHOWN AND AUTOMATICALLY ROUNDED BY COMPUTER FOR INSPECTION (SEE MATH MODEL FOR PRECISE DIMENSIONS). FOR ALL OTHER DIMENSIONS NOT SHOWN BUT REQUIRED FOR TOOL BUILD, SEE MATH MODEL FOR PRECISE TOOL PATH DATA.
 - MATERIAL RECYCLING CODE PER ISO 11469. (2.3)X(0.1) CHARACTERS AS SHOWN TO BE LOCATED ON ANY EXTERIOR SURFACE. OPTIONAL CONSTRUCTION TO BE NO MATERIAL RECYCLING CODE.
 - THIS PRODUCT IS NOT CATEGORIZED AS AN APPEARANCE ITEM, MINOR IMPERFECTIONS INCLUDING, BUT NOT LIMITED TO, FLOW MARKS, COLOR BLEMISHES, GATE VESTIGE, AND SOFT FLASH THAT DO NOT AFFECT THE FIT, FORM, OR FUNCTION OF THE PART ARE PERMISSIBLE PER NAP 4.10-18.
 - THIS PART IS NOT CONTROLLED FOR AUTOMATIC FEEDING.
 - THIS CONNECTOR WILL PASS THRU A Ø 14 MIN. HOLE.
 - (2.3)X(0.1) DELPHI CORPORATE BRAND TO BE LOCATED ON ANY EXTERIOR SURFACE, PREFERABLY VISIBLE AT FINAL ASSEMBLY. OPTIONAL CONSTRUCTION TO BE "PED" OR NO LOGO.
 - FOR APPLICATION DATA SEE THE INDIVIDUAL APPLICATION DRAWINGS.

PART NO	REV	N/P	STATUS	MATERIAL SPECIFICATION AND COLOR	VOLUME CM ³
12089248	02	AA	-	POLYAMIDE COMPOUND CREAM	1.007
12066036	A1	-	OBSOLETE	POLYAMIDE COMPOUND WHITE	-
12047785	A4	-	-	POLYAMIDE COMPOUND BLACK	1.007

DIMENSIONAL RANGE (MM)	CHART	ET
FROM > 0	> 20	> 70
TO 20	30	70
	100	150
	200	250
	300	400

PART DRAWING	
VOLUME (CM ³)	0181R CODE
SEE CHART	D

DELPHI
DELPHI PACKARD ELECTRICAL/ELECTRONIC ARCHITECTURE
MVBEN, OH

DR	DATE
APV01 J.GAVALDON	18AP02
APV02 E.VAZQUEZ	18AP02
APV03 G.MACIAS	19AP02
APV04	
APV05	

MATERIAL: SUBSTANCES OF CONCERN AND RECYCLED CONTENT PER DELPHI 10949001
SEE CHART

DRAWING NAME: TAXI CONN F M/P 150
DRAWING NUMBER: 12066046

SCALE: 5:1
FRM NO: 1 OF 1
SHEET NO: 1 OF 1
REV: R 06