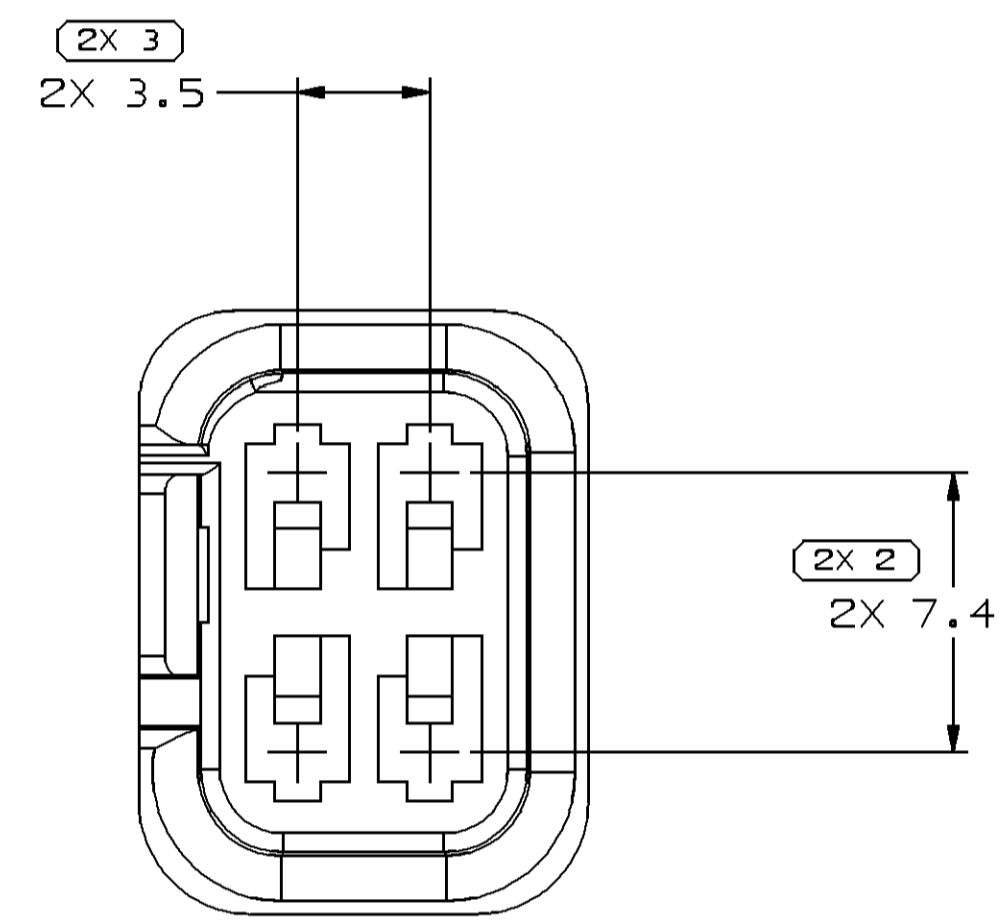
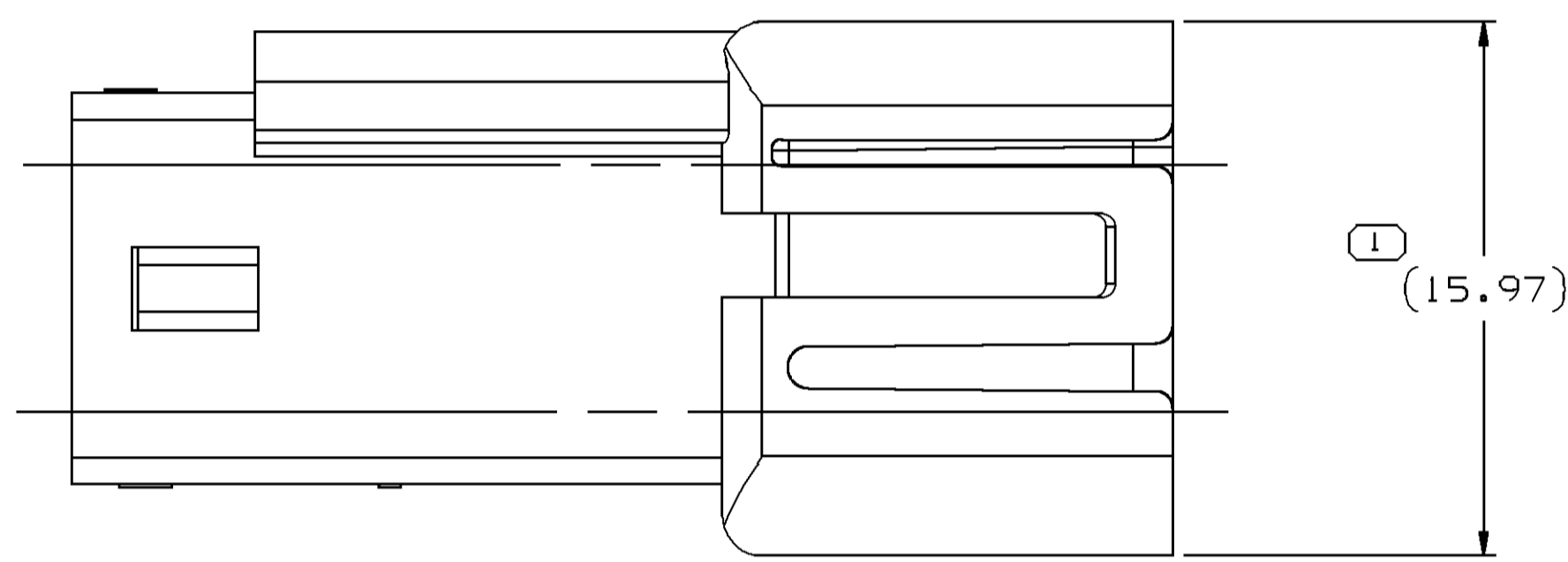
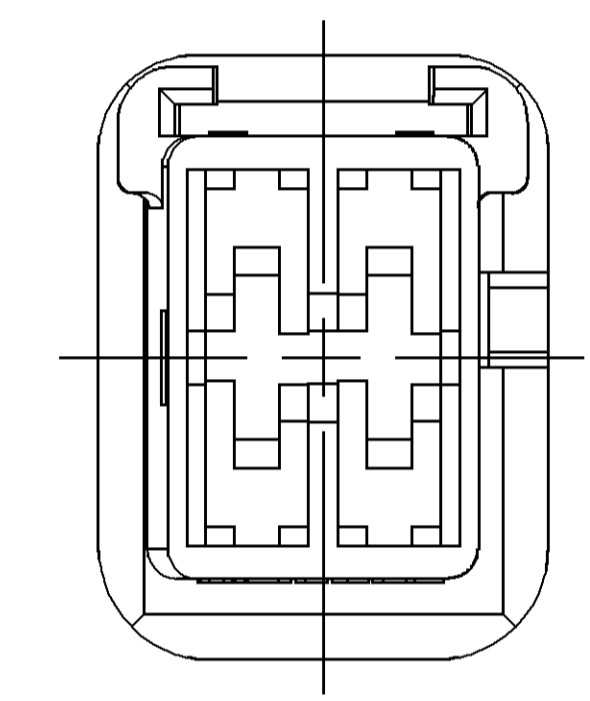
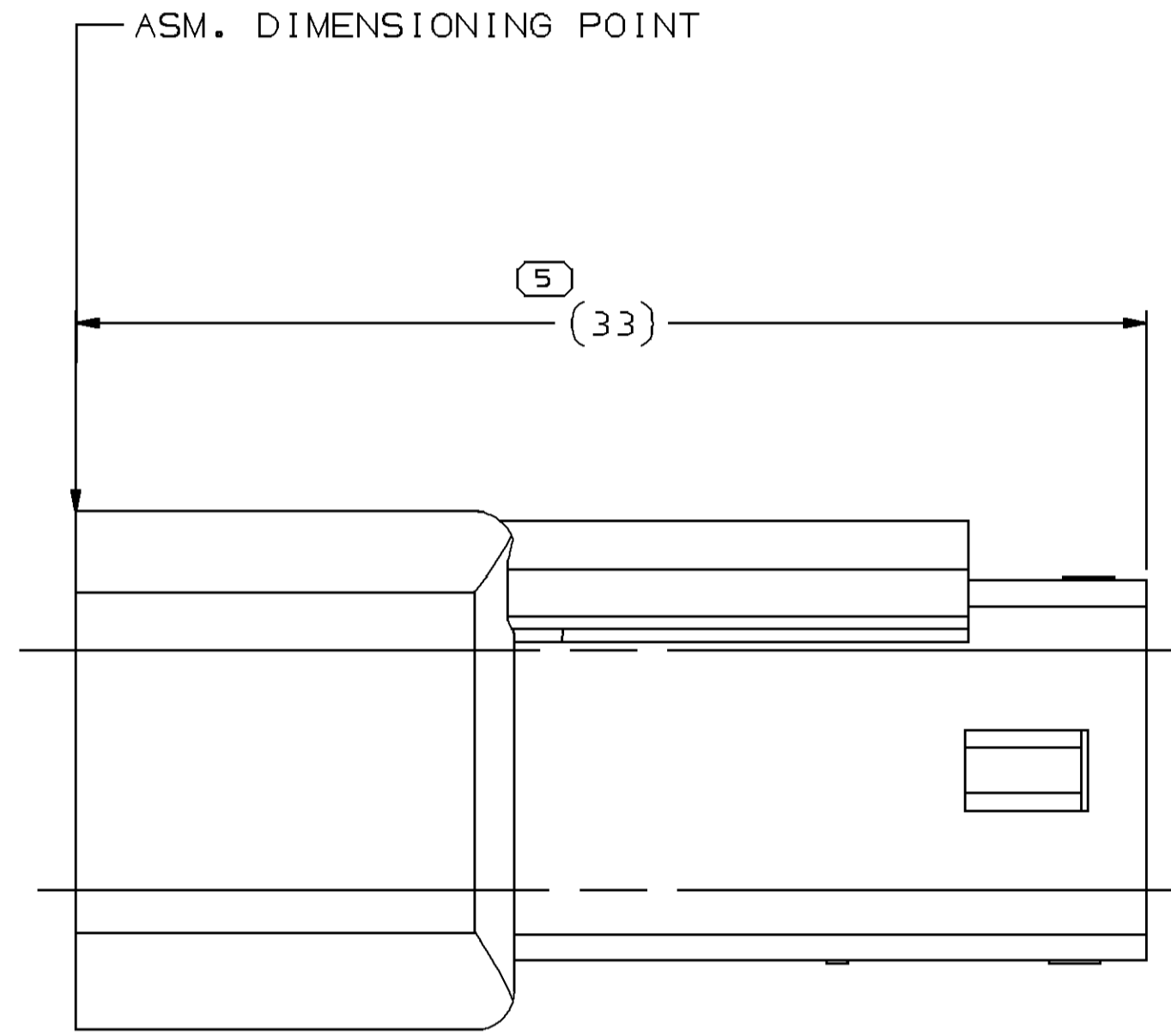
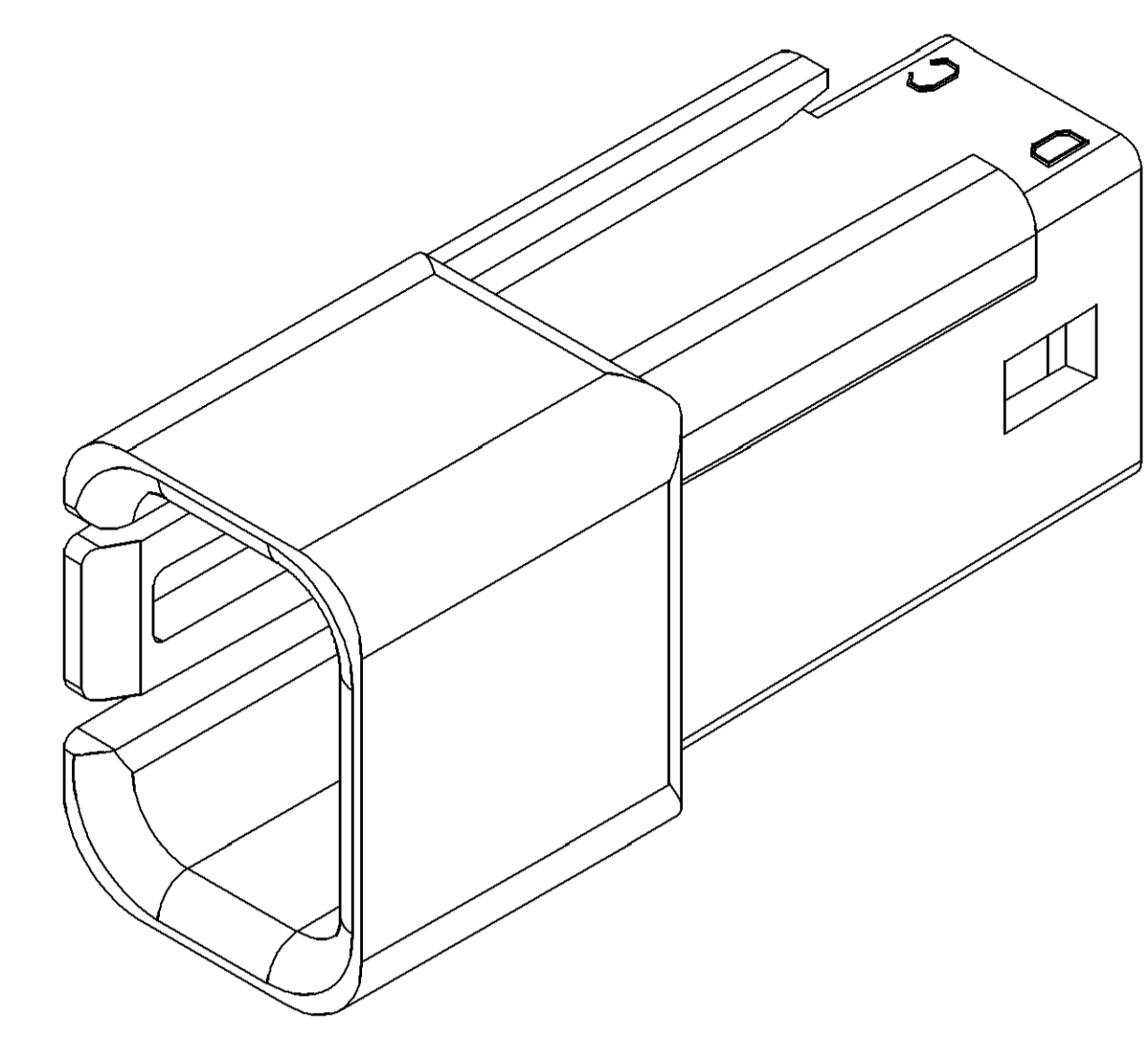
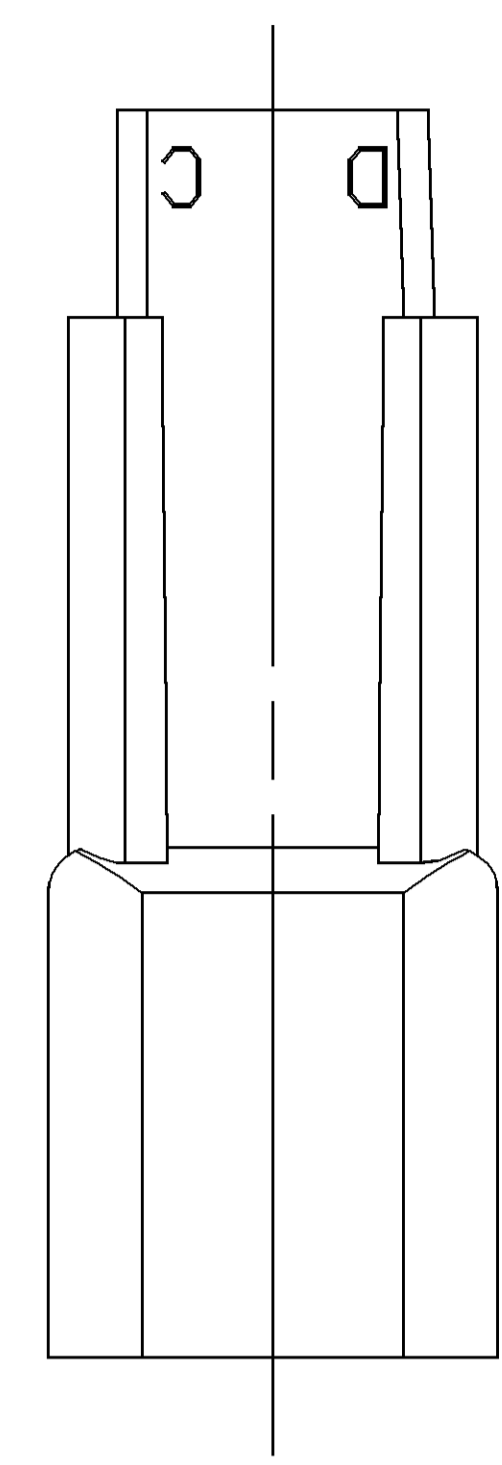
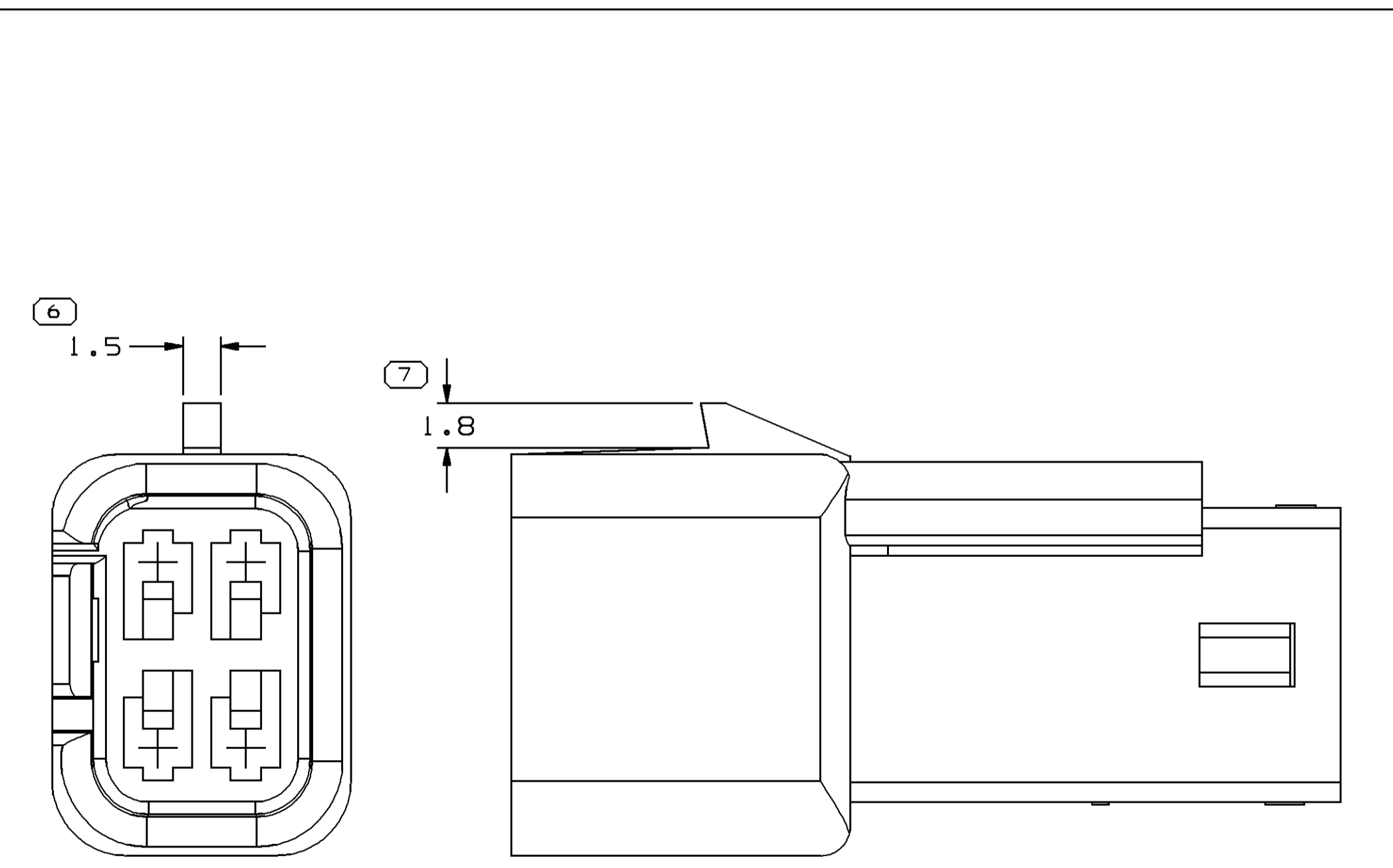
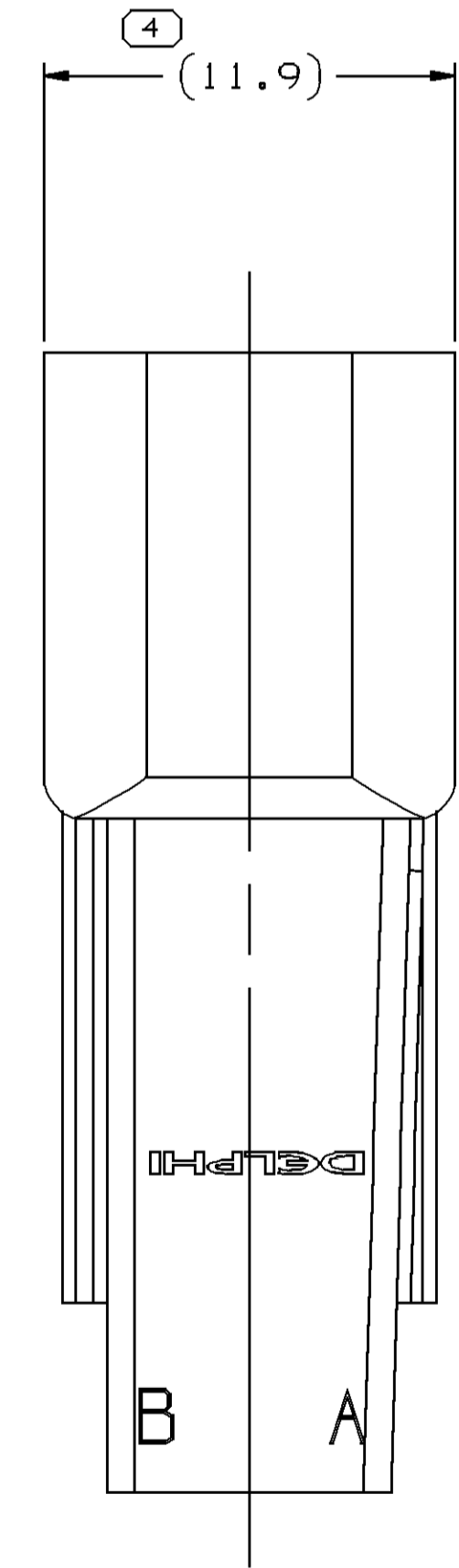


SYMBOL DEFINITION		TOTAL NO OF INSPECTIONS REQUIRED	MISSING SYMBOLS
A DIMENSION WITHOUT AN INSPECTION REPORT SYMBOL DOES NOT REQUIRE INSPECTION. IT MAY BE CONTROLLED ON THE INDIVIDUAL COMPONENT DRAWING.		9	NO MISSING SYMBOL NUMBER
		LAST NO. USED	7

DWG STATUS		ZONE		REVISION HISTORY		AUTH	DR	APVD	APVD
DATE	STG	REV	N/P	CHG					
13NO02	R	01	-	-	REDRAWN TO PD	233309	JYD	JYD	GM
13JA03	R	02	-	-	UPDATED PDM ATTRIBUTES	235437	JYD	JYD	GM
01FE06	R	03	-	-	12089247 - MAT'L SPEC WAS M3592002	276997	RTV	JVM	EST
05JN07	R	04	-	-	ALL PARTS - UPDATED MATERIAL SPEC AND REMOVED RECYCLING CODE AND NOTE	401610	ECB	AUG	BDG
16FE18	R	05	-	-	ADDED TYPE 102	439092	FJS	MS	MF
16OC18	R	06	-	-	ADDED DIM 6 & DIM 7	441298	POT	MS	JAM



TYPE 101



TYPE 102  
SAME AS TYPE 101  
EXCEPT AS SHOWN

- NOTES
- UNLESS OTHERWISE SPECIFIED AND/OR INDICATED:  
DIMENSIONS ARE TO FACE OF VIEW SHOWN AND AUTOMATICALLY ROUNDED BY COMPUTER FOR INSPECTION (SEE MATH MODEL FOR PRECISE DIMENSIONS). FOR ALL OTHER DIMENSIONS NOT SHOWN BUT REQUIRED FOR TOOL BUILD, SEE MATH MODEL FOR PRECISE TOOL PATH DATA.
  - REFERENCE MATING COMPONENTS OR EQUIVALENT:  
CONNECTOR 12047785
  - THIS CONNECTOR WILL PASS THRU A Ø18.5 MIN. HOLE.
  - THIS PART ACCEPTS THE FOLLOWING COMPONENTS OR EQUIVALENT:  
SECONDARY LOCK 12047787  
(1 PER CONNECTOR)
  - THIS PART IS NOT CONTROLLED FOR AUTOMATIC FEEDING.
  - THIS CONNECTOR LIMITED TO A MAX INSULATION CRIMP 3 HIGH AND 2.6 WIDE.
  - (2.3)x(0.1) RAISED DELPHI CORPORATE BRAND TO BE LOCATED ON ANY EXTERIOR SURFACE, PREFERABLY VISIBLE AT FINAL ASSEMBLY. OPTIONAL CONSTRUCTION TO BE "PED" OR NO LOGO.
  - FOR APPLICATION DATA SEE THE INDIVIDUAL APPLICATION DRAWINGS.

PART NO	REV	N/P	TYPE	MATERIAL AND COLOR	MATING CONNECTOR	VOLUME (CM <sup>3</sup> )
35184255	01	AA	102	POLYAMIDE COMPOUND-BLK	12047785	2.153
12089247	02	AA	101	POLYAMIDE COMPOUND-CRM	12089248	2.142
12066037	A9	-	101	POLYAMIDE COMPOUND-WHT	12066036	2.142
12047786	A9	-	101	POLYAMIDE COMPOUND-BLK	12047785	2.142

DIMENSIONAL RANGE (MM)	CHART ET
FROM > 0	> 20
> 20	> 30
> 30	> 70
> 70	> 100
> 100	> 150
> 150	> 200
> 200	> 250
> 250	> 300
> 300	> 400
> 400	> 500
> 500	> 600
> 600	> 800
> 800	> 1000

**APTIV**  
CONNECTION SYSTEMS

THIS DRAWING IS THE PROPERTY OF APTIV AND CONTAINS APTIV CONFIDENTIAL INFORMATION. THE REPRODUCTION, DISTRIBUTION AND UTILIZATION OF THIS DOCUMENT OR ITS RELATED CAD DATA, AS WELL AS COMMUNICATION OF ANY CONTENT TO OTHERS, WITHOUT EXPRESS AUTHORIZATION, IS PROHIBITED.

DATE: 13NO02

DR: JESUS YEE

APVD: JESUS YEE

APVD3: GERARDO MACIAS

APVD4:

THIS DOCUMENT IS IN ACCORDANCE WITH ASME Y14.5M-1994 AS MODIFIED BY THE 2018 DIMENSIONING AND TOLERANCING ADDENDUM - (2018). ALL GEOMETRIC TOLERANCES AND RELATED DATUMS APPLY UNLESS OTHERWISE SPECIFIED. MFC DOES NOT APPLY WHEN RELATIONSHIP BETWEEN FEATURES IS ESTABLISHED BY ORIENTATION OR LOCATION TOLERANCES. SEPARATE POSITION CALLOUTS MAY BE SAVED SEPARATELY, IRRESPECTIVE OF DATUM REFERENCE.

ALL DIMENSIONS ARE IN MILLIMETERS

THIRD ANGLE PROJECTION

DO NOT SCALE

USE MATH DATA

UNLESS OTHERWISE SPECIFIED

DIMENSIONS ENCLOSED IN ( ) INDICATE REFERENCE DIMENSIONS AND NO TOLERANCE LIMITS ARE ESTABLISHED

5 PROCESS SENSITIVE DIMENSION

DATE: 13NO02

DRAWING NUMBER: 12066047

SIZE: A0

SCALE: 5:1

FRAME NO: 1 OF 1

SHEET NO: 1 OF 1

STG: R

REV: 06

N/P: -