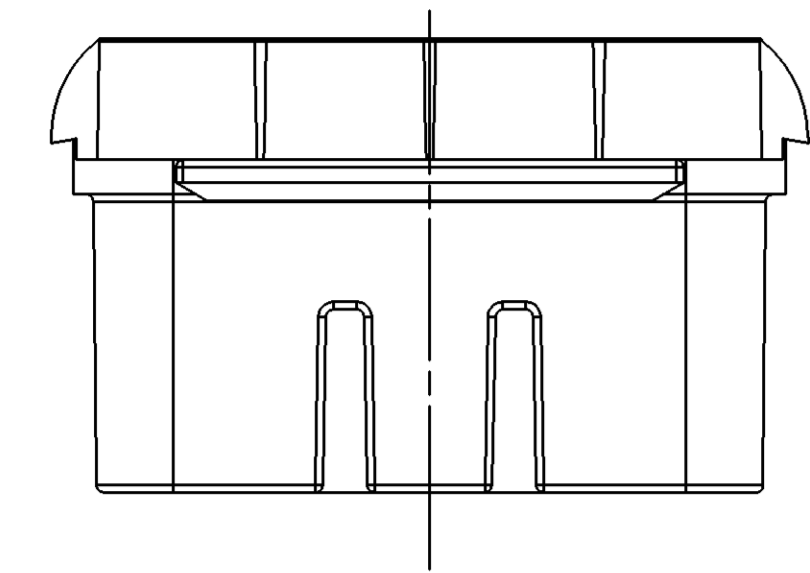
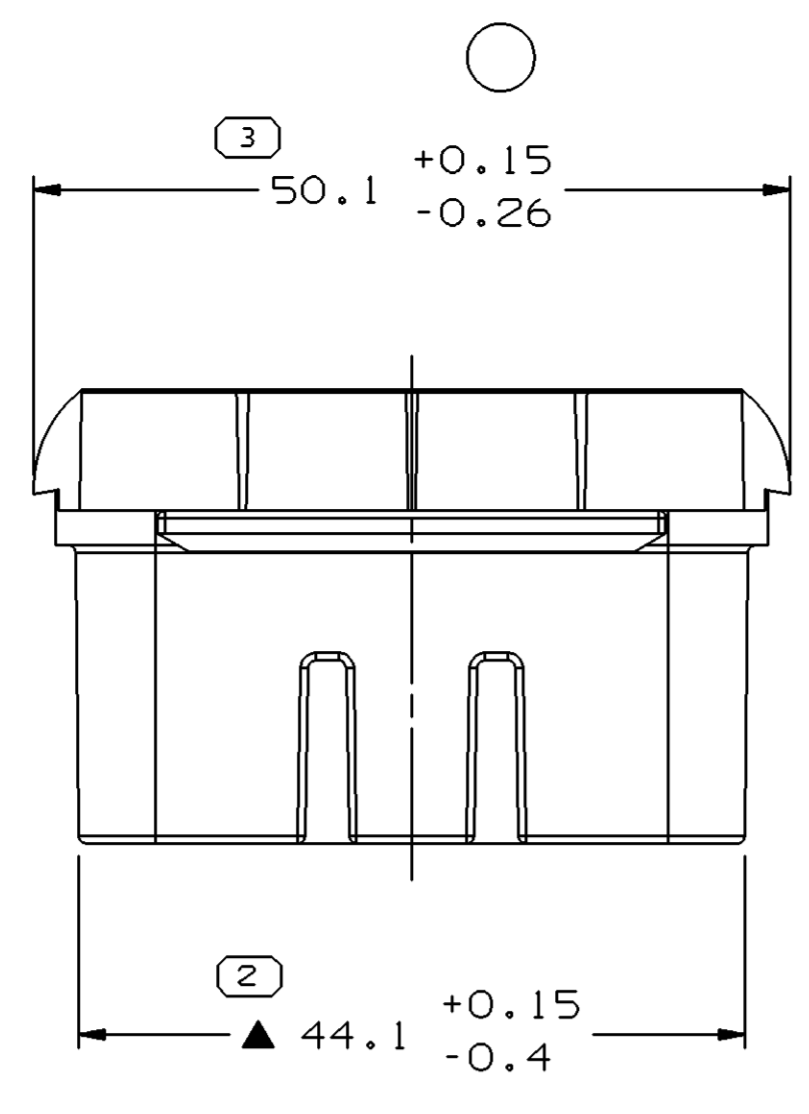


SYMBOL DEFINITION		TOTAL NO OF INSPECTIONS REQUIRED		MISSING SYMBOLS	
A DIMENSION WITHOUT AN INSPECTION REPORT SYMBOL DOES NOT REQUIRE INSPECTION. IT MAY BE CONTROLLED ON THE INDIVIDUAL COMPONENT DRAWING.		18		NO MISSING SYMBOL NUMBER	
		LAST NO. USED	14		

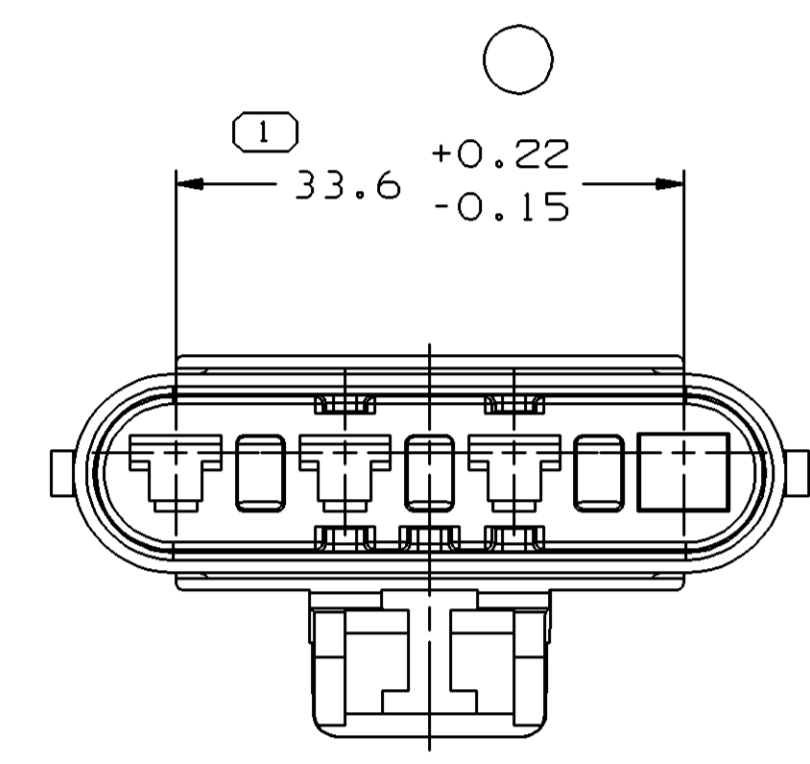
DWO STATUS		ZONE		REVISION HISTORY		AUTH		DR		APVD	
07FE02	R 05	-		CREATED PD		220903	EPS	EPS	JH	JH	JH
21N002	R 06	-		TYPE 101 & 103 - DIM WAS 44.1		233826	HH	EDV	JH	JH	M
12DE03	R 07	-		ALL PARTS - CREATED SOLID MODELS & REVISED TOLERANCES (9 PLCS)		250032	JAA	JAA	BMD	BMD	



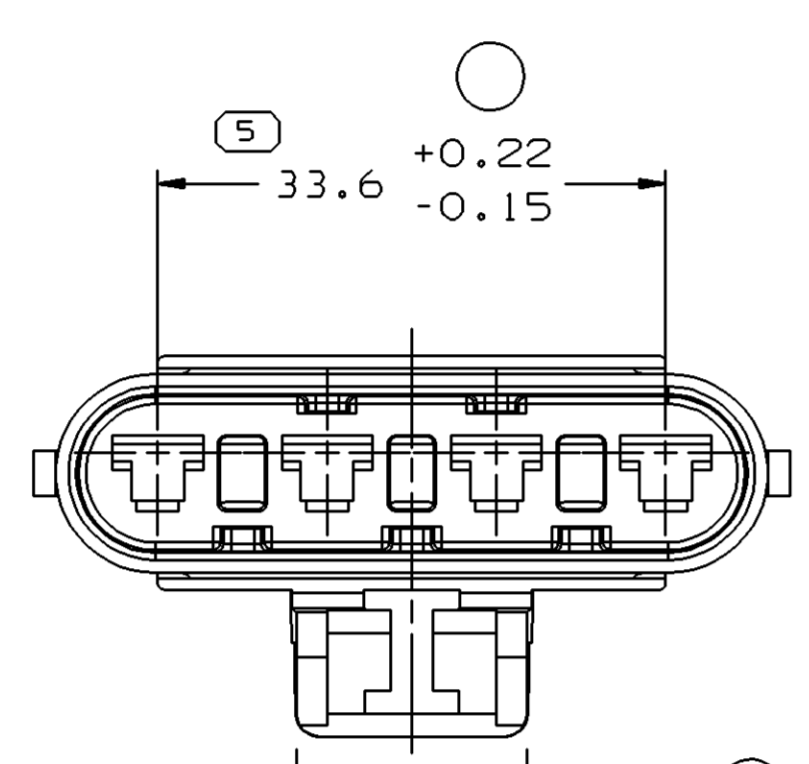
TYPE 102
SAME AS TYPE 101
EXCEPT AS SHOWN



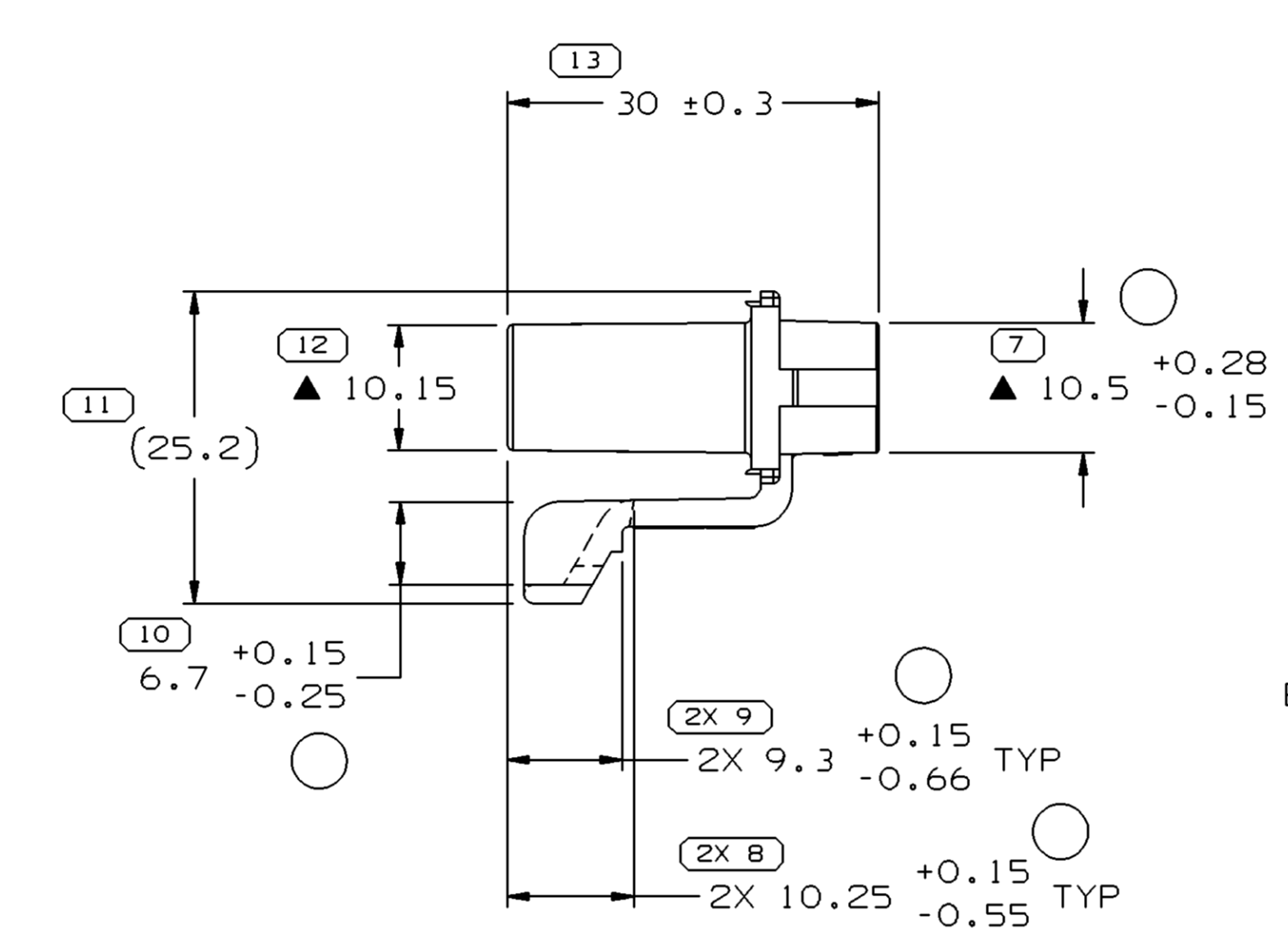
TYPE 101 & 103



TYPE 102
SAME AS TYPE 101
EXCEPT AS SHOWN

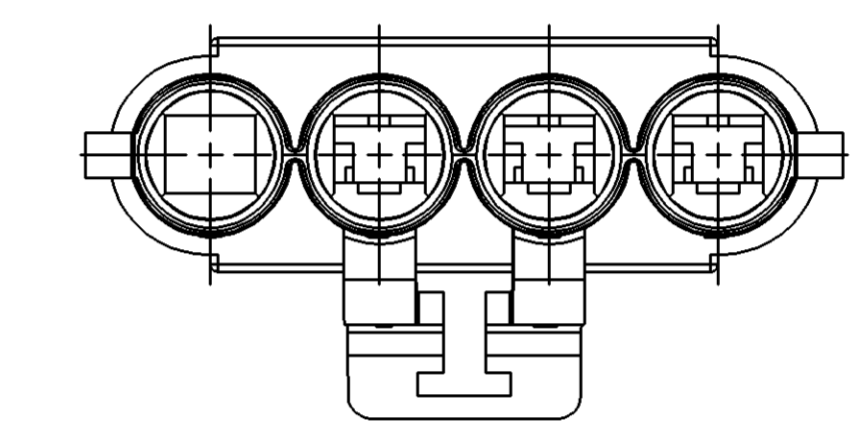


TYPE 101

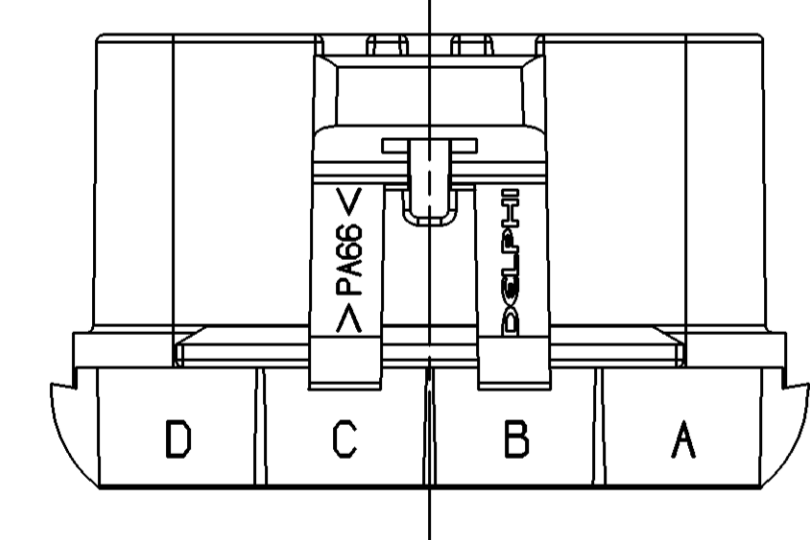


EJECT PADS PERMISSIBLE
IN THIS AREA

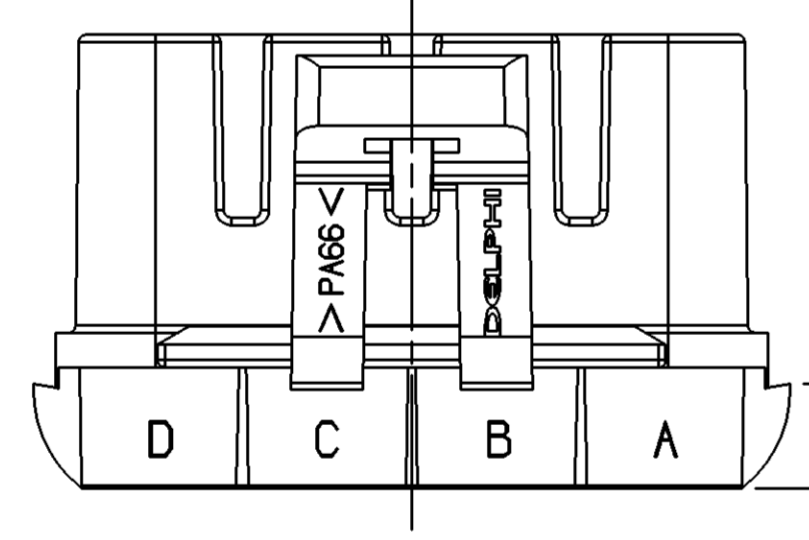
TYPE 101 & 103



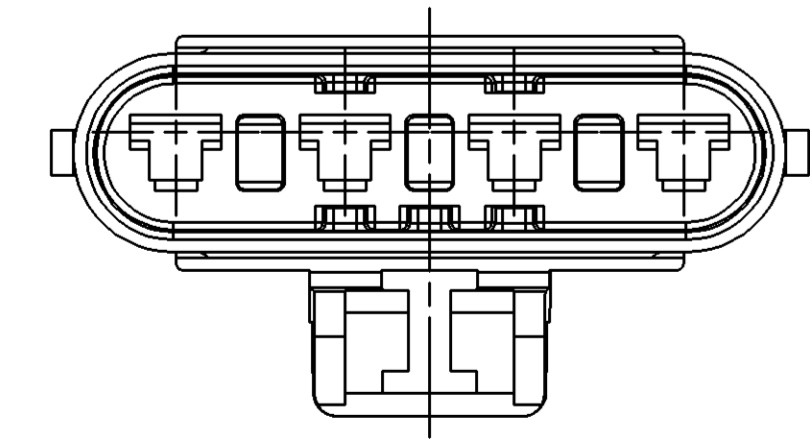
TYPE 102
SAME AS TYPE 101
EXCEPT AS SHOWN



TYPE 102 & 103
SAME AS TYPE 101
EXCEPT AS SHOWN



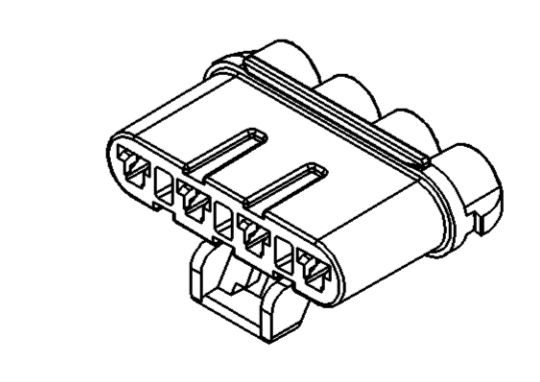
TYPE 101



TYPE 103
SAME AS TYPE 102
EXCEPT AS SHOWN

NOTES

- UNLESS OTHERWISE SPECIFIED AND/OR INDICATED: DIMENSIONS ARE TO FACE OF VIEW SHOWN AND AUTOMATICALLY ROUNDED BY COMPUTER FOR INSPECTION (SEE MATH MODEL FOR PRECISE DIMENSIONS). FOR ALL OTHER DIMENSIONS NOT SHOWN BUT REQUIRED FOR TOOL BUILD, SEE MATH MODEL FOR PRECISE TOOL PATH DATA.
- MATERIAL RECYCLING CODE PER ISO 11469. (2.3)X(0.1) RAISED CHARACTERS AS SHOWN TO BE LOCATED ON ANY EXTERIOR SURFACE. OPTIONAL CONSTRUCTION TO BE NO MATERIAL RECYCLING CODE.
- THIS PART IS CONTROLLED FOR AUTOMATIC FEEDING AS DENOTED ON DRAWING WITH ▲.
- MATING COMPONENTS OR EQUIVALENT:
TYPE 101 CONNECTOR IS TO MATE WITH EX-81271
TYPE 102 CONNECTOR IS TO MATE WITH EX-81273
- THIS PART ACCEPTS THE FOLLOWING COMPONENTS OR EQUIVALENT:
CAVITIES TO ACCEPT 12048450 TERMINAL OR EQUIVALENT.
TERMINAL POSITION ASSURANCE LOCK 12048413
- (2.3)X(0.1) RAISED DELPHI CORPORATE BRAND TO BE LOCATED ON ANY EXTERIOR SURFACE, PREFERABLY VISIBLE AT FINAL ASSEMBLY. OPTIONAL CONSTRUCTION TO BE "PED" OR NO LOGO.



PART NO	REV	N/P	STATUS	TYPE	MATERIAL SPECIFICATION AND COLOR	VOL (CM ³)	ASSEMBLY
12160252	02	AB	-	103	M3592002 PA66 HS 1M NAT	7.882	12150253
12129696	02	AB	-	101	M3592008 PA66 HS 1M BLU	7.882	12129692
12048415	06	AB	-	101	M3592001 PA66 HS 1M BLK	7.882	12048412
12048414	06	AB	-	102	M3592025 PA66 HS 1M MD GRA	7.884	12048411

FROM	TO	TOLERANCE UNLESS OTHERWISE SPECIFIED	CHART	ET
> 0	> 20	±0.15	1	1
> 20	> 30	±0.2	2	2
> 30	> 70	±0.3	3	3
> 70	> 100	±0.4	4	4
> 100	> 150	±0.5	5	5
> 150	> 200	±0.6	6	6
> 200	> 250	±0.8	7	7
> 250	> 300	±1	8	8
> 300	> 400	±1.2	9	9

PART DRAWING	
STYLE	
VOLUME (CM ³)	6900
ROUTING	D
UNLESS OTHERWISE SPECIFIED	
THIS DOCUMENT IS IN ACCORDANCE WITH ASME Y14.5M-1994 AS AMENDED BY THE 2003 DIMENSIONING AND TOLERANCING ADDENDUM (2003). SEPARATE PATTERNING OF FEATURES MAY BE GIVEN SEPARATELY REGARDLESS OF DATUM REFERENCES.	
ALL DIMENSIONS ARE IN MILLIMETERS	
REFERENCE	

DELPHI
DELPHI PACKARD ELECTRIC SYSTEMS
WARREN, OH

DR	DATE
APVD1 E. SALAZAR	07FE02
APVD2 E. SALAZAR	07FE02
APVD3 J. HORIUCHI	07FE02
APVD4	
APVD5	

SUBSTANCES OF CONCERN AND RECYCLED CONTENT PER DELPHI 10949001

MATERIAL SEC. CHART

DRAWING NAME: TAXI CONN M/P 480

DRAWING NUMBER: 12048431

SIZE: A0 SCALE: 2:1 FRAME NO: 1 OF 1 SHEET NO: 1 OF 1 DATE: 07-07-07