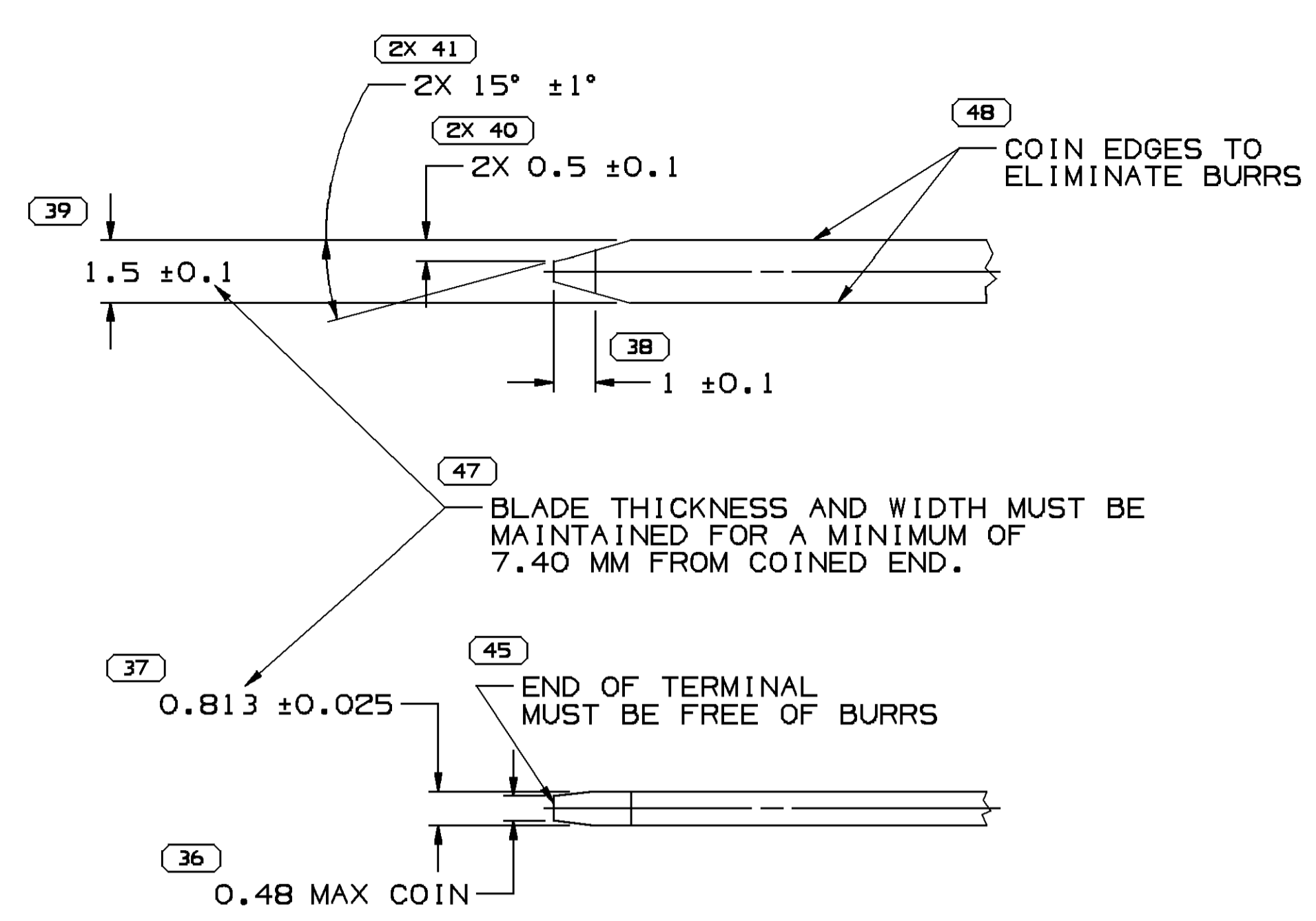


SYMBOL DEFINITION		TOTAL NO OF INSPECTIONS REQUIRED	MISSING SYMBOLS
A DIMENSION WITHOUT AN INSPECTION REPORT SYMBOL DOES NOT REQUIRE INSPECTION. IT MAY BE CONTROLLED ON THE INDIVIDUAL COMPONENT DRAWING.		77	NO MISSING SYMBOL NUMBER
		LAST NO. USED	58

DWS STATUS					REVISION HISTORY				AUTH	DR	APVD	APVD	
DATE	STG	REV	N/P	CHG	ZONE								
04SE02	R	01	-	-	-	ALL PARTS - SECONDARY TERMINAL LOCK NOTE WAS 12047664. ADDED NOTES (2 PLCS) & REVISED MAT'L SPEC				230019	RVP	RVP	OMC
11JA05	R	02	-	-	-	RELAXED TOLERANCES				262445	MM	MM	BS
17AU09	R	03	-	-	-	ALL PARTS - ADDED NON APPEARANCE ITEM NOTE				408640	GEM	JAA	GEM

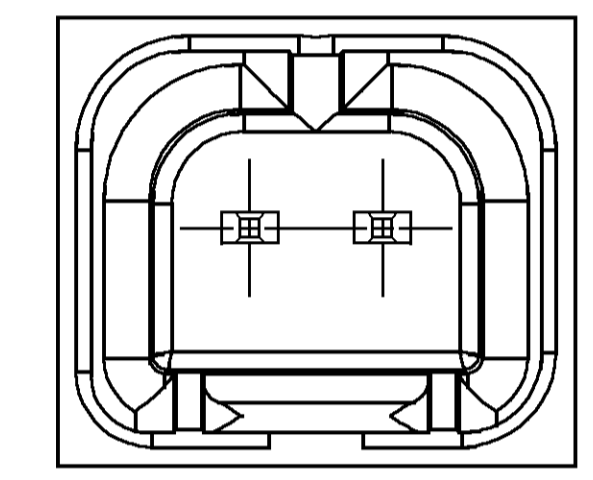
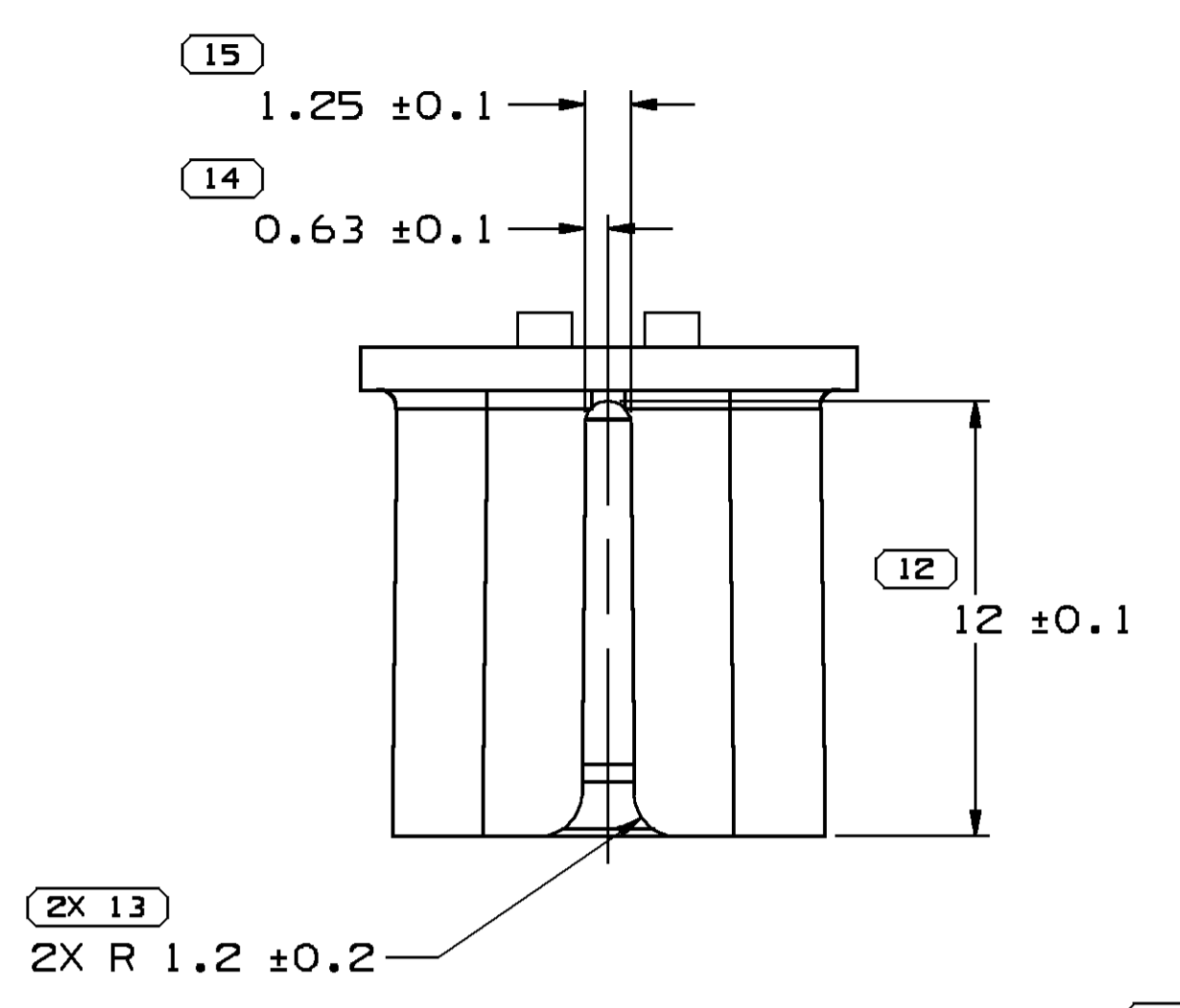


MATERIAL SPECIFICATIONS

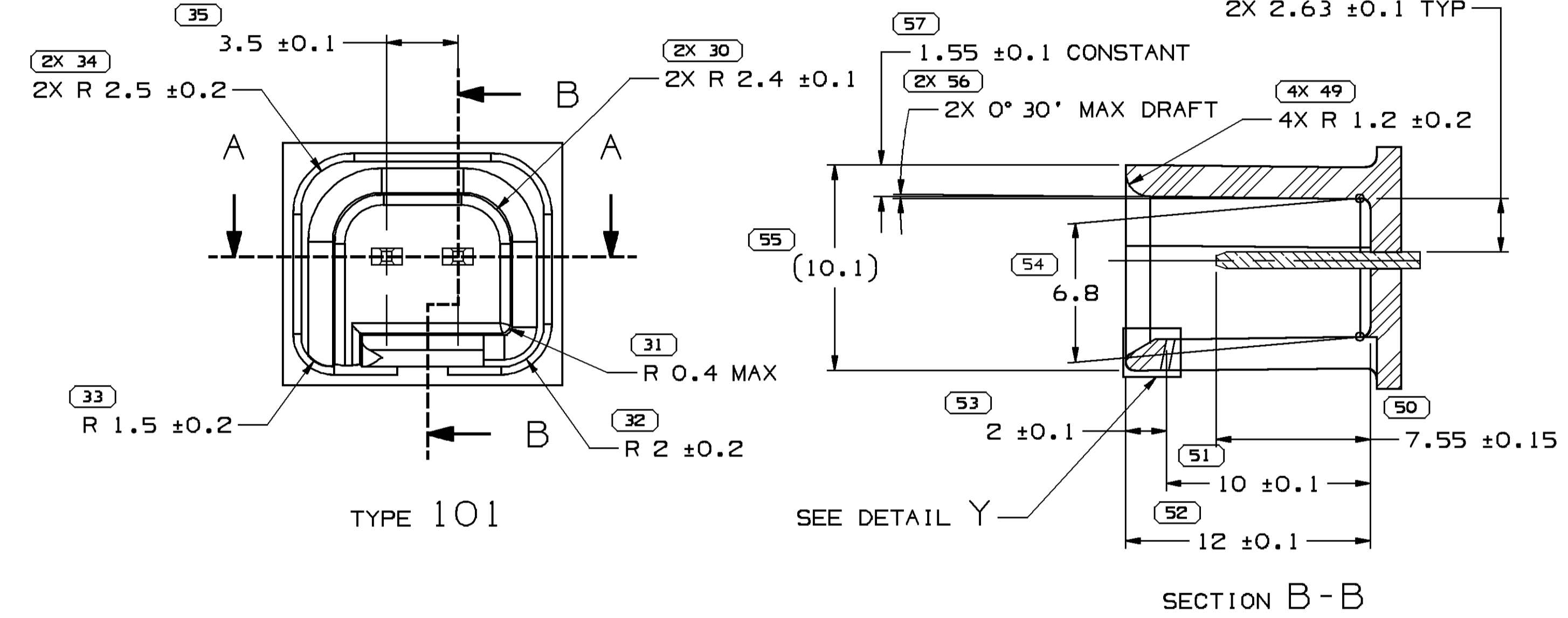
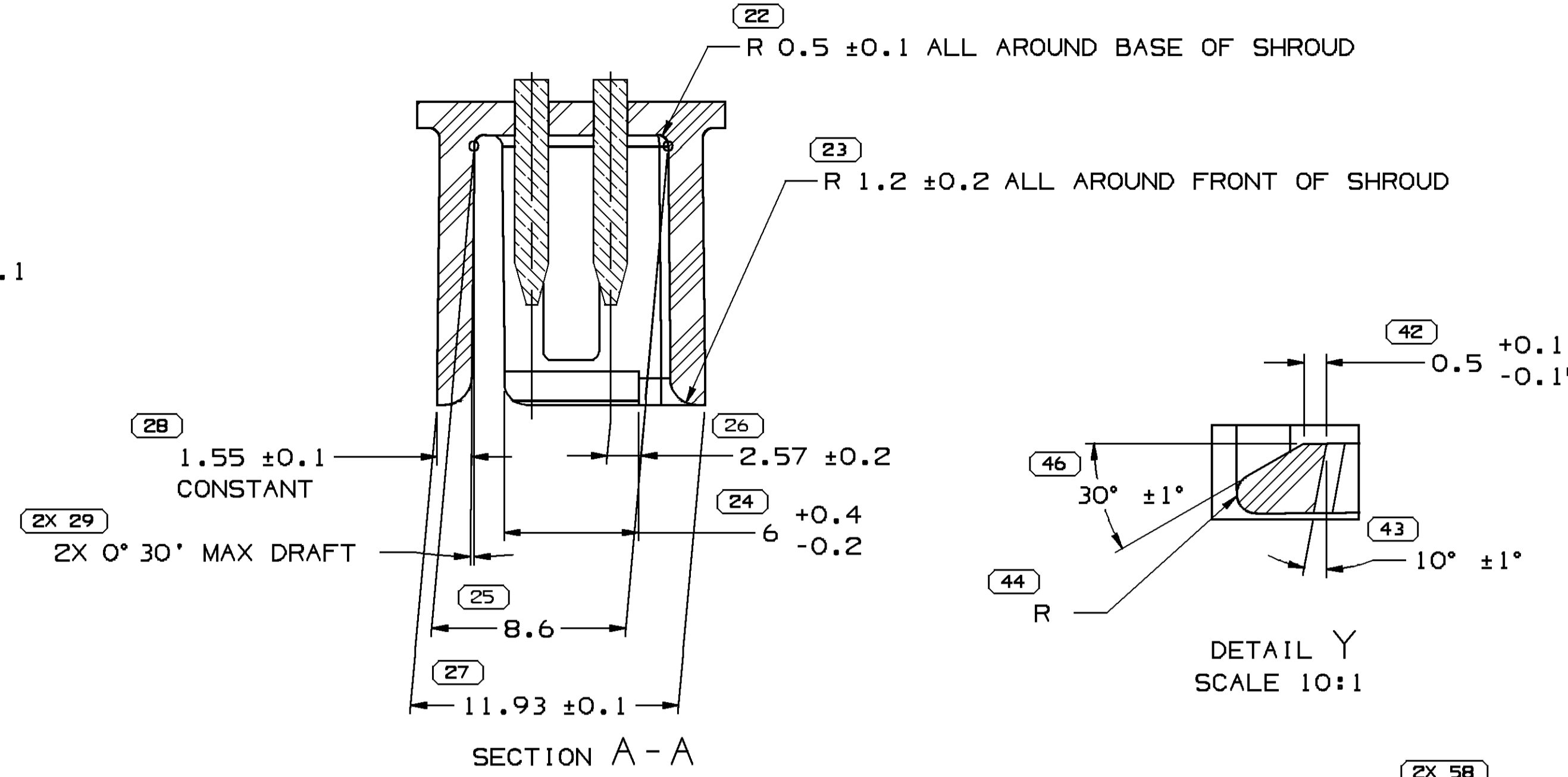
RECOMMENDED
 BASE METAL - CDA-210, EXTRA SPRING TEMPER
 PLATING - 0.005 ±0.0025 MM THICK TIN

MINIMUMS
 ELECTRICAL CONDUCTIVITY - ≥20% IACS AT 20°C. USE OF A MATERIAL WITH CONDUCTIVITY ≤20% IACS MUST BE APPROVED BY PACKARD ELECTRIC MATERIALS ENGINEERING.
 TENSILE STRENGTH - 407 MPa
 PLATING - FOR LOW ENERGY (≤5V) AND NON-PASSENGER COMPARTMENT POWER CIRCUITS, 0.005 ±0.0025 MM THICK TIN. FOR MATERIALS CONTAINING 10% OR MORE ZINC, AN UNDERPLATE OF COPPER 0.0050±0.0025 MM THICK IS REQUIRED.

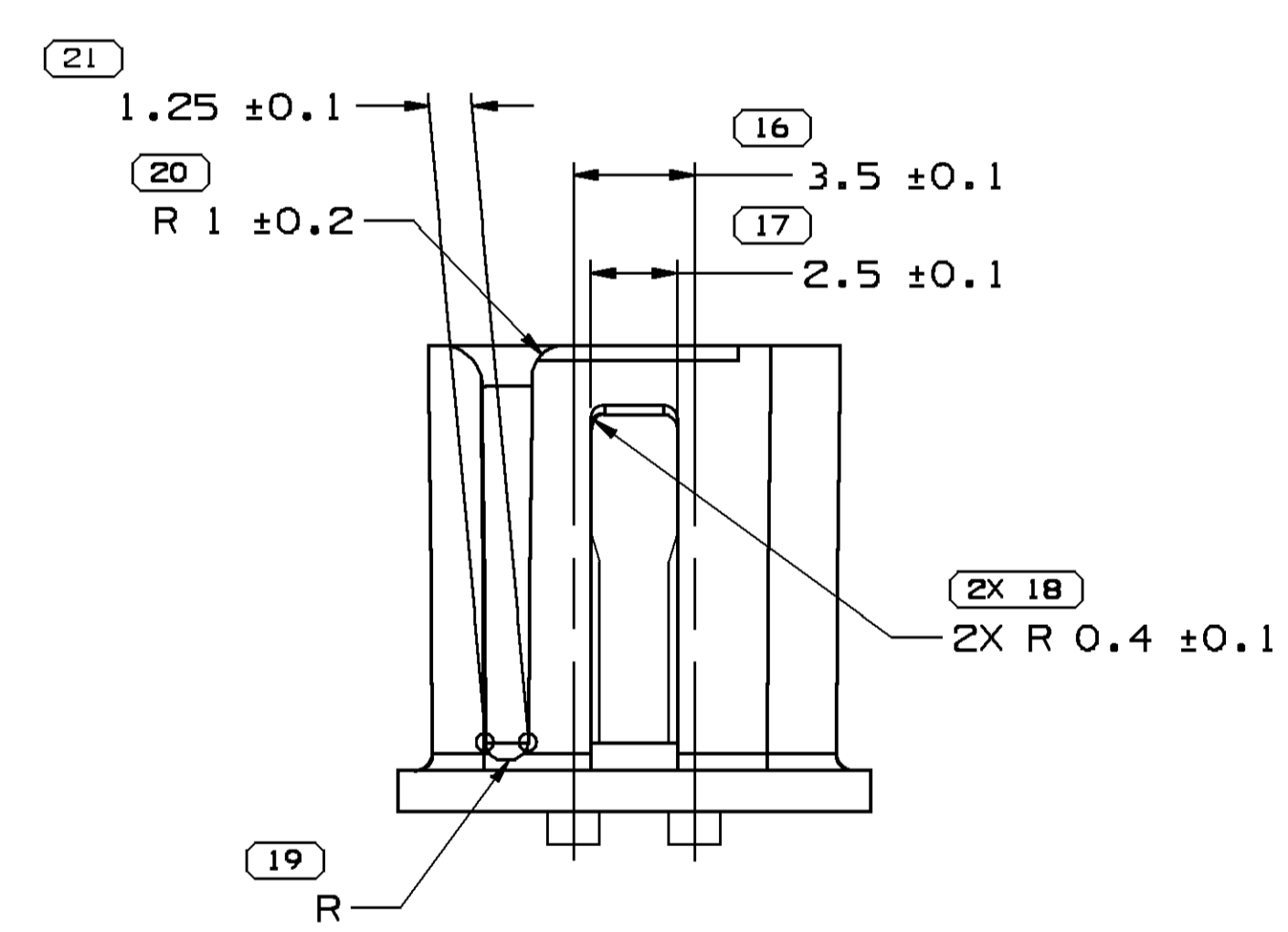
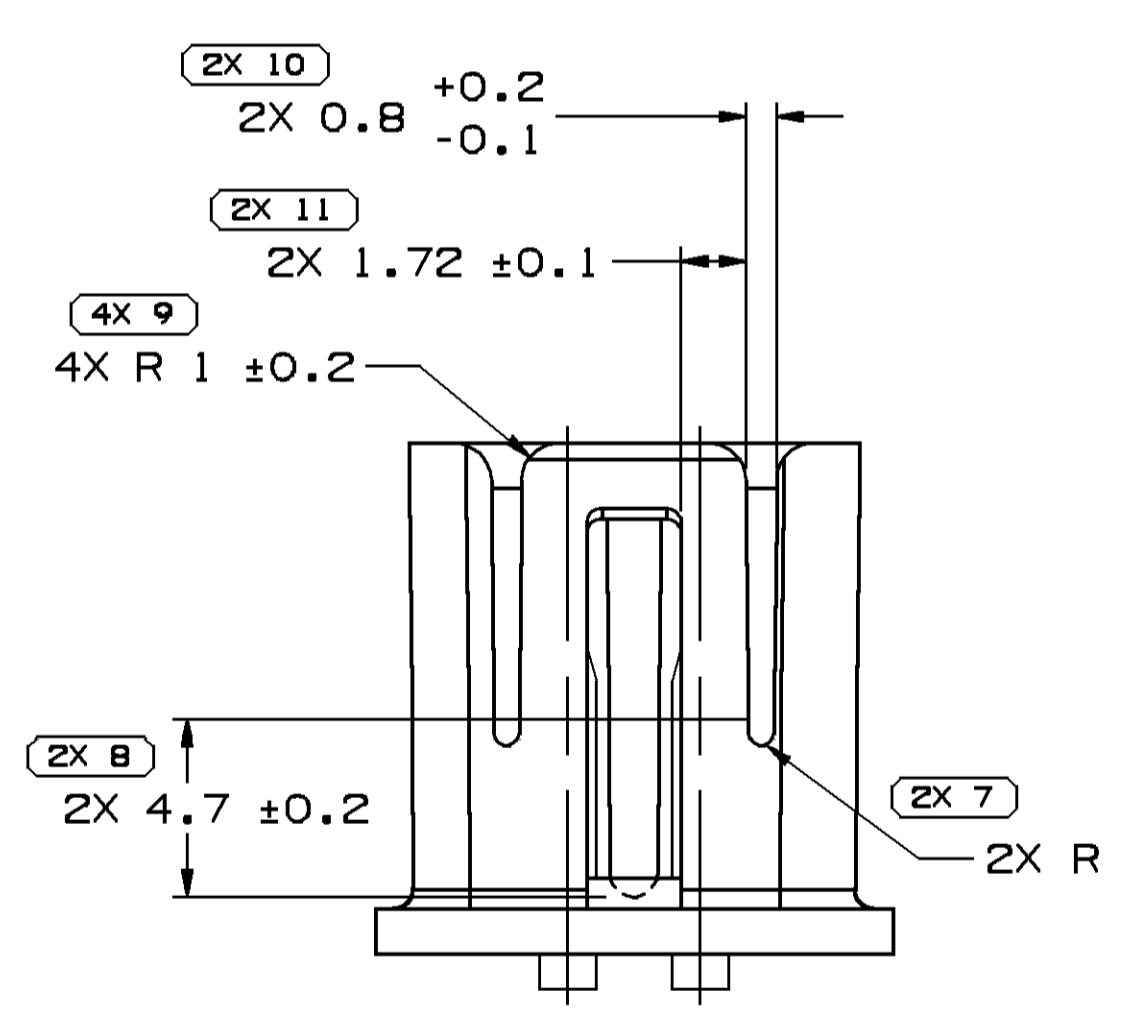
MATING BLADE INFORMATION
 SCALE 10:1



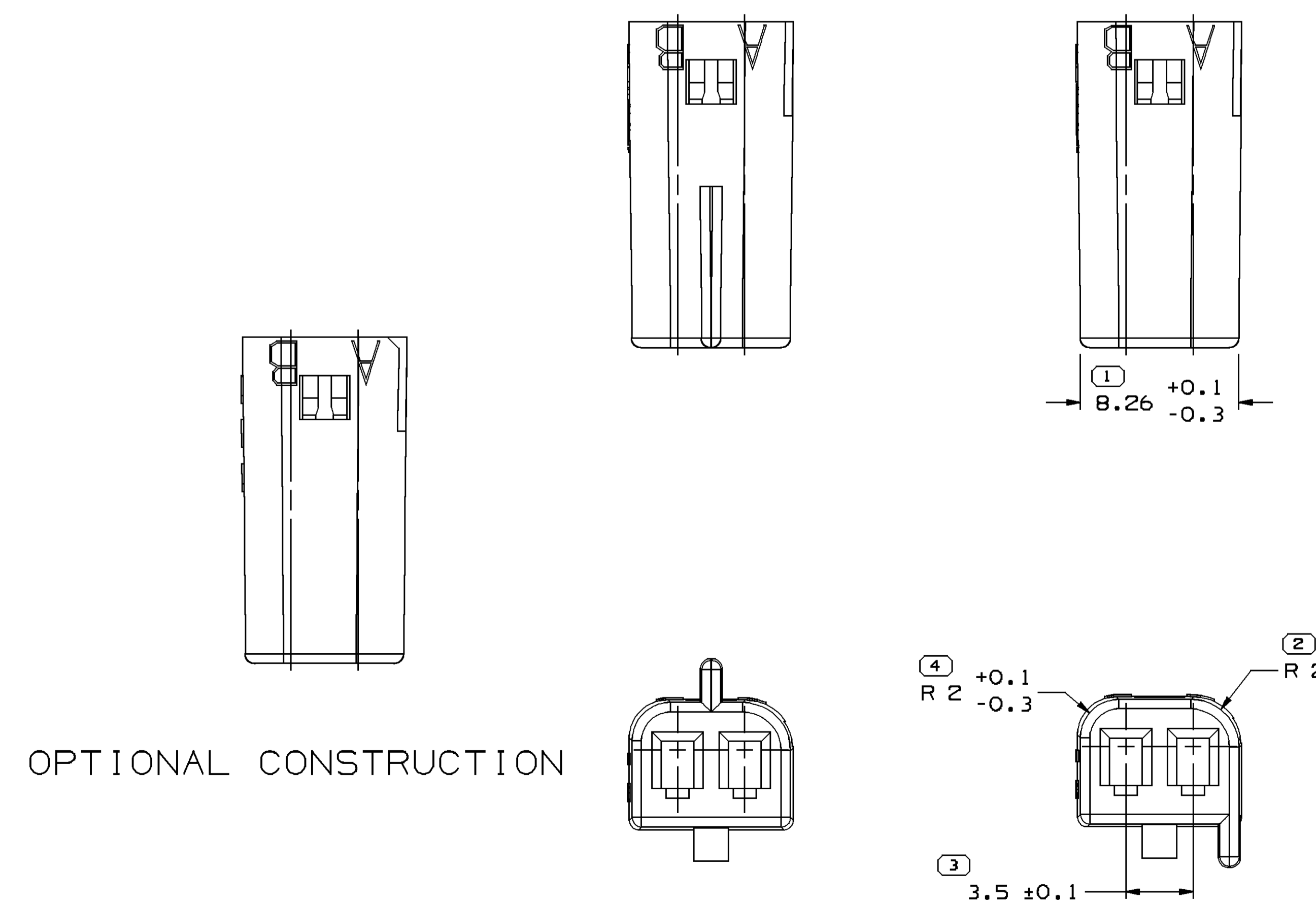
TYPE 102
 SAME AS TYPE 101 EXCEPT AS SHOWN



TYPE 101



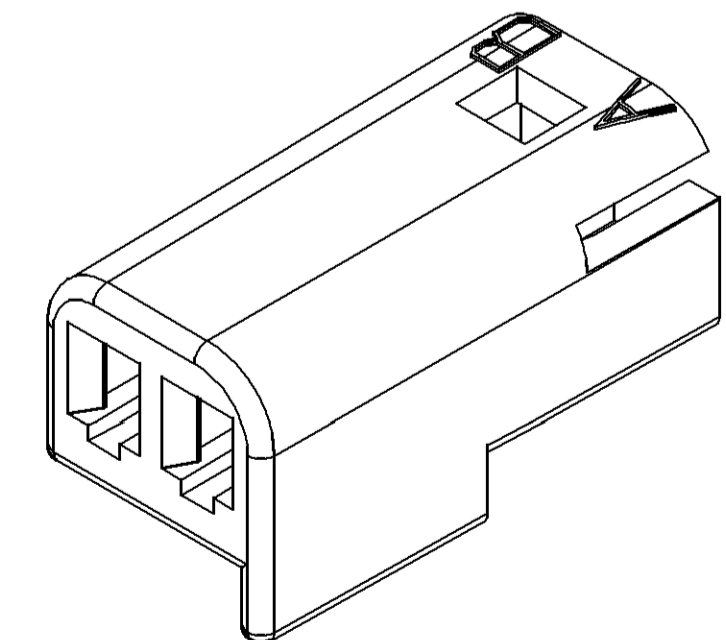
MATING CONNECTOR INFORMATION



TYPE 102
 SAME AS TYPE 101 EXCEPT AS SHOWN

TYPE 101

- NOTES
- UNLESS OTHERWISE SPECIFIED AND/OR INDICATED: DIMENSIONS ARE TO FACE OF VIEW SHOWN AND AUTOMATICALLY ROUNDED BY COMPUTER FOR INSPECTION (SEE MATH MODEL FOR PRECISE DIMENSIONS). FOR ALL OTHER DIMENSIONS NOT SHOWN BUT REQUIRED FOR TOOL BUILD, SEE MATH MODEL FOR PRECISE TOOL PATH DATA.
 - MATERIAL RECYCLING CODE >PA66< PER ISO 11469. (2.3)X(0.1) RAISED CHARACTERS AS SHOWN TO BE LOCATED ON ANY EXTERIOR SURFACE. OPTIONAL CONSTRUCTION TO BE NO MATERIAL RECYCLING CODE.
 - THIS PART IS NOT CONTROLLED FOR AUTOMATIC FEEDING.
 - (2.3)X(0.1) RAISED DELPHI CORPORATE BRAND TO BE LOCATED ON ANY EXTERIOR SURFACE, PREFERABLY VISIBLE AT FINAL ASSEMBLY. OPTIONAL CONSTRUCTION TO BE "PED" OR NO LOGO.
 - THIS PRODUCT IS NOT CATEGORIZED AS AN APPEARANCE ITEM, MINOR IMPERFECTIONS INCLUDING, BUT NOT LIMITED TO, FLOW MARKS, COLOR BLEMISHES, GATE VESTIGE, AND SOFT FLASH THAT DO NOT AFFECT THE FIT, FORM, OR FUNCTION OF THE PART ARE PERMISSIBLE PER DPNP-4.7-CS-01.
 - FOR APPLICATION DATA SEE THE INDIVIDUAL APPLICATION DRAWINGS.



PART NO	REV	N/P	STATUS	TYPE	MATERIAL SPECIFICATION AND COLOR	VOL CM ³
12059253	C5			102	POLYAMIDE COMPOUND GREEN	0.587
12059251	D5			101	POLYAMIDE COMPOUND RED	0.588

DIMENSIONAL RANGE (MM)	CHART SET
FROM > 0	> 20
> 20	> 30
> 30	> 40
> 40	> 50
> 50	> 60
> 60	> 70
> 70	> 80
> 80	> 90
> 90	> 100
> 100	> 150
> 150	> 200
> 200	> 250
> 250	> 300
> 300	> 400

PART DRAWING	
STITLE	
VOLUME (OMP)	DISTR CODE
UNLESS OTHERWISE SPECIFIED	
THIS DOCUMENT IS IN ACCORDANCE WITH ASME Y14.5M-1994 AS MODIFIED BY THE 2003 DIMENSIONING AND TOLERANCING ADDENDUM - 1997. ALL GEOMETRIC TOLERANCES AND RELATED DATUMS APPLY UNLESS OTHERWISE SPECIFIED. UNLESS OTHERWISE SPECIFIED, ALL DIMENSIONS ARE IN MILLIMETERS.	
THIRD ANGLE PROJECTION	DO NOT SCALE
USE MATH DATA	

DELPHI
 DELPHI PACKARD ELECTRICAL/ELECTRONIC ARCHITECTURE
 WARREN, OH

DR	DATE
APV01 ASDF	30MY95
APV02 A. SWARTZ	30MY95
APV03 R. PETROSKY	04JNB5
APV04	
APV05	

SUBSTANCES OF CONCERN AND RECYCLED CONTENT PER DELPHI (0449901)

SEE CHART

DRAWING NAME
 TAXI CONN F/W/P 150

DRAWING NUMBER
12059287

SIZE	SCALE	FRAME NO	SHEET NO	STG	REV	N/P
A0	5:1	1	OF 1	1	OF 1	R 03