

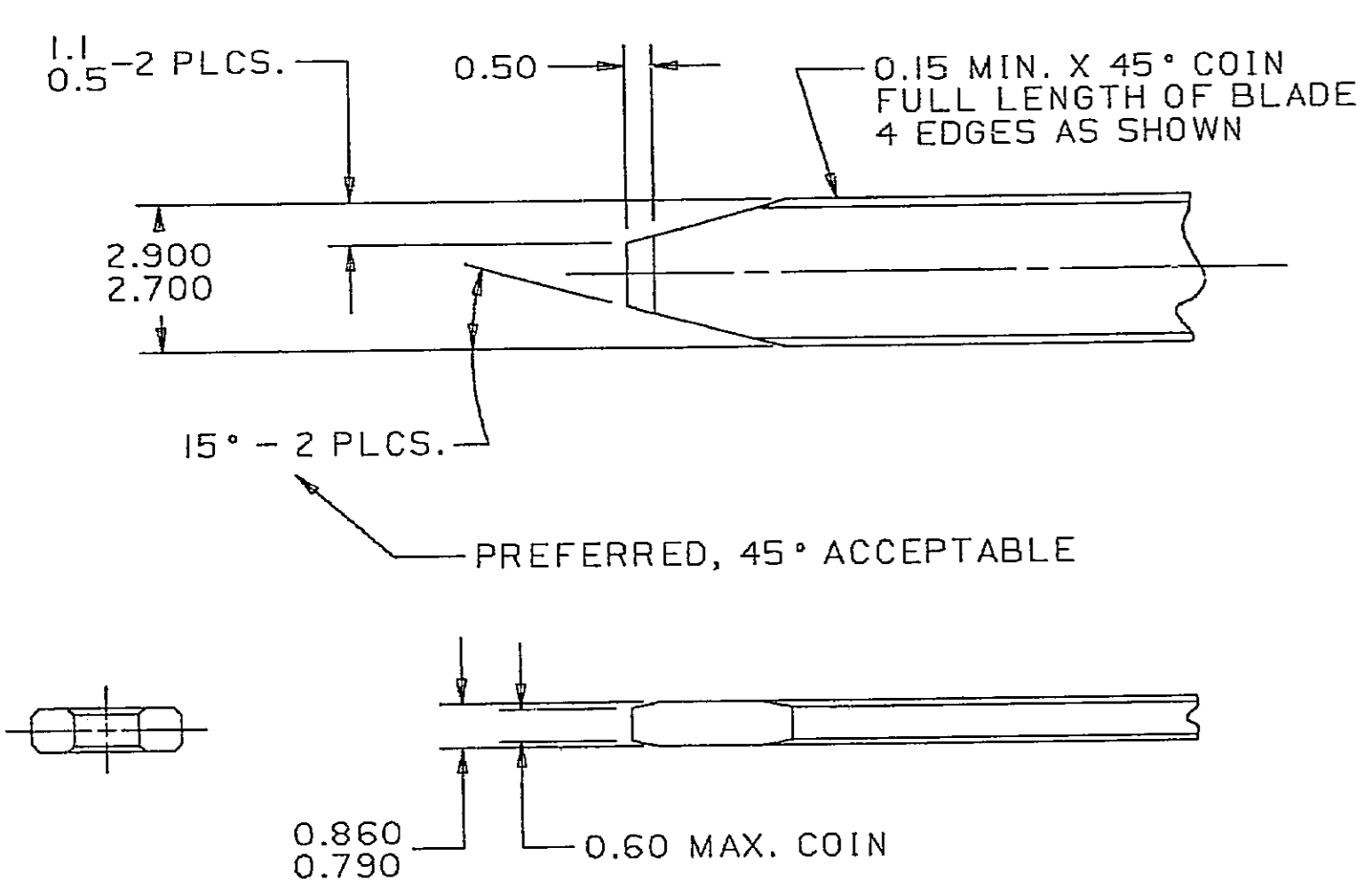
D

THIS DRAWING AND DESIGN HEREON CONSTITUTES A PROPRIETARY DESIGN OF PACKARD ELECTRIC DIVISION AND IS NOT TO BE DUPLICATED OR REPRODUCED WITHOUT AUTHORITY OF PACKARD ELECTRIC DIVISION.

DO NOT SCALE

PART NO. 1205 9573

PART NO. 1205 9573



### MATING TERMINAL INFORMATION

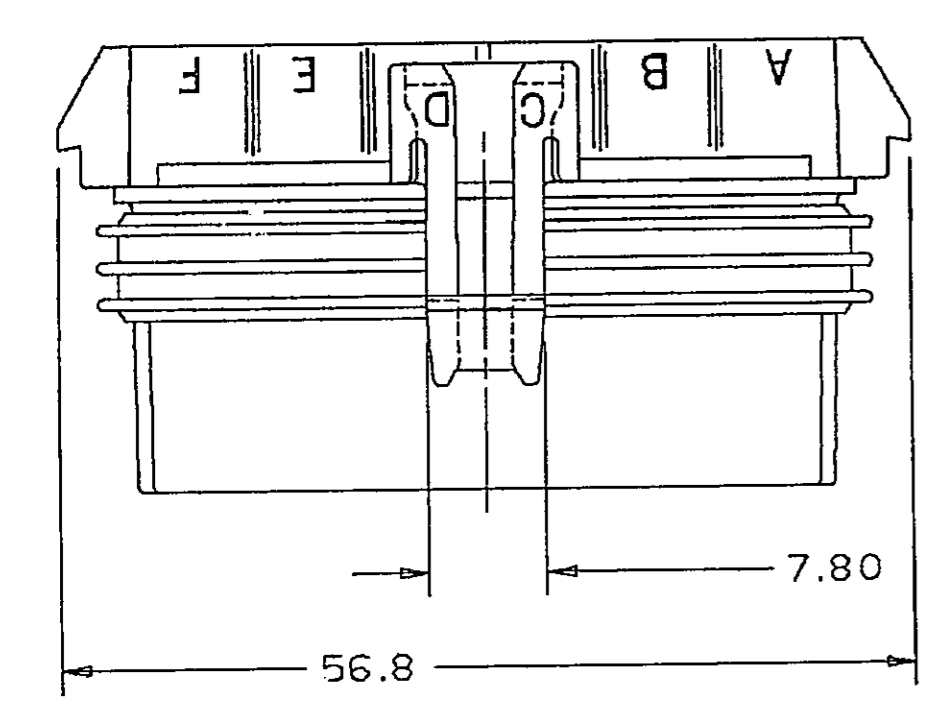
SCALE 8:1

RECOMMENDED MATERIAL: P-1546 (CA 210) BRASS-EXTRA SPRING TEMPER - TIN PLATED.

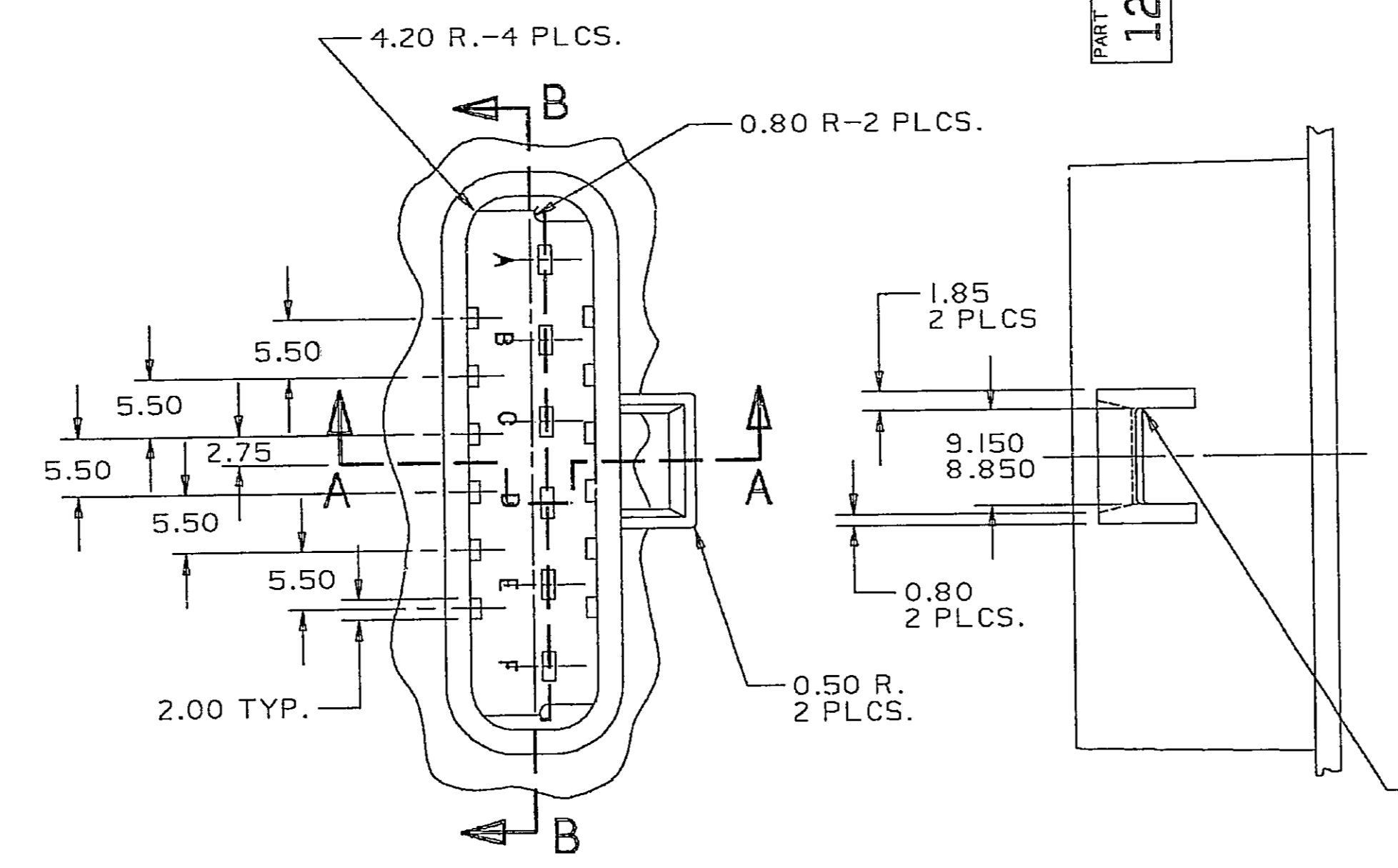
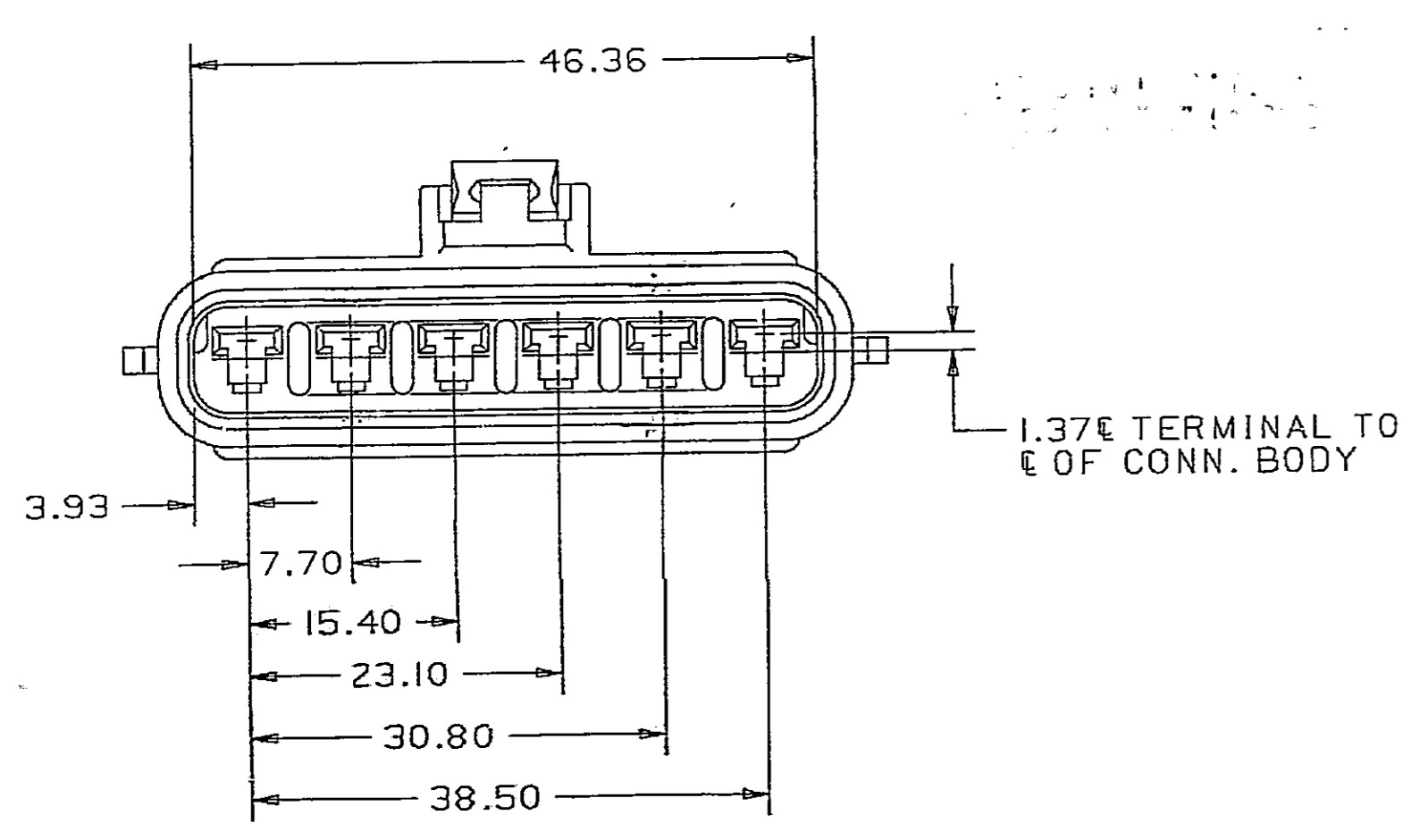
PLATING THICKNESS: 0.003 - 0.005 MM.

TENSILE STRENGTH: 430 - 480 MPA.

USE OF MATERIAL WITH CONDUCTIVITY  $\leq$  20% IACS AT 68 °F SHOULD BE APPROVED BY PACKARD ELECTRIC.



PT-A  
4SA

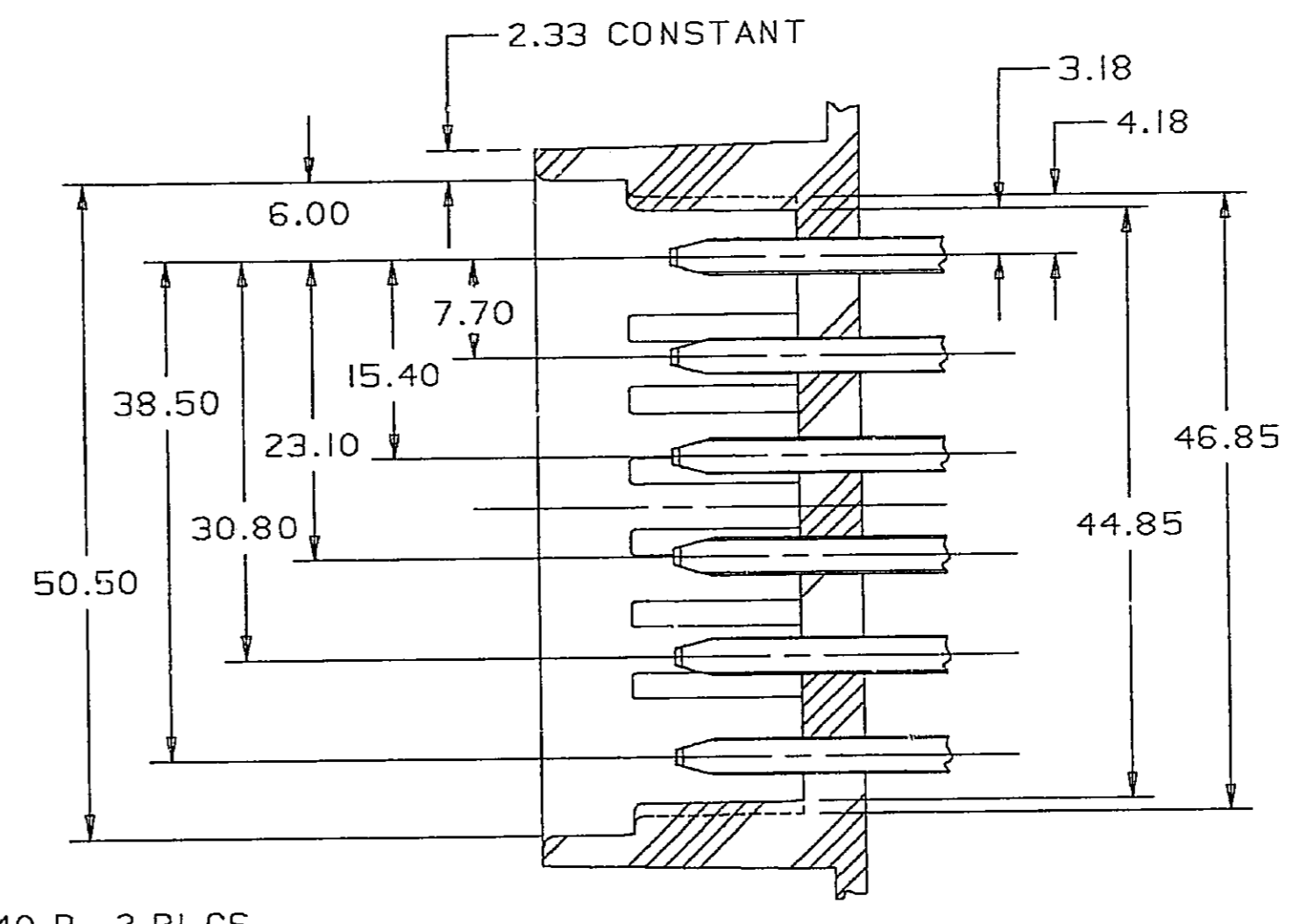


### SECTION A-A

THIS SURFACE MUST BE FREE OF DEFECTS, PARTING LINES, MOLD MISMATCH & KNIT LINES FOR SEALING

0°30' DRAFT-  
CONSTANT INSIDE WALLS

TERMINAL MUST WITHSTAND MIN. PUSHOUT OF 70 NEWTONS



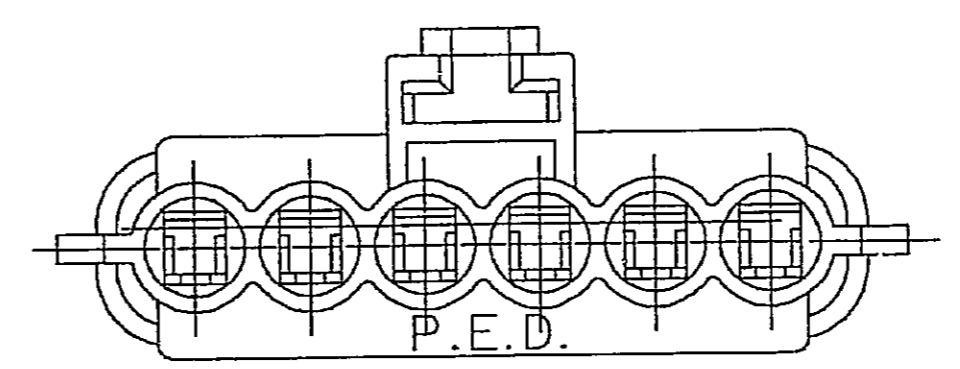
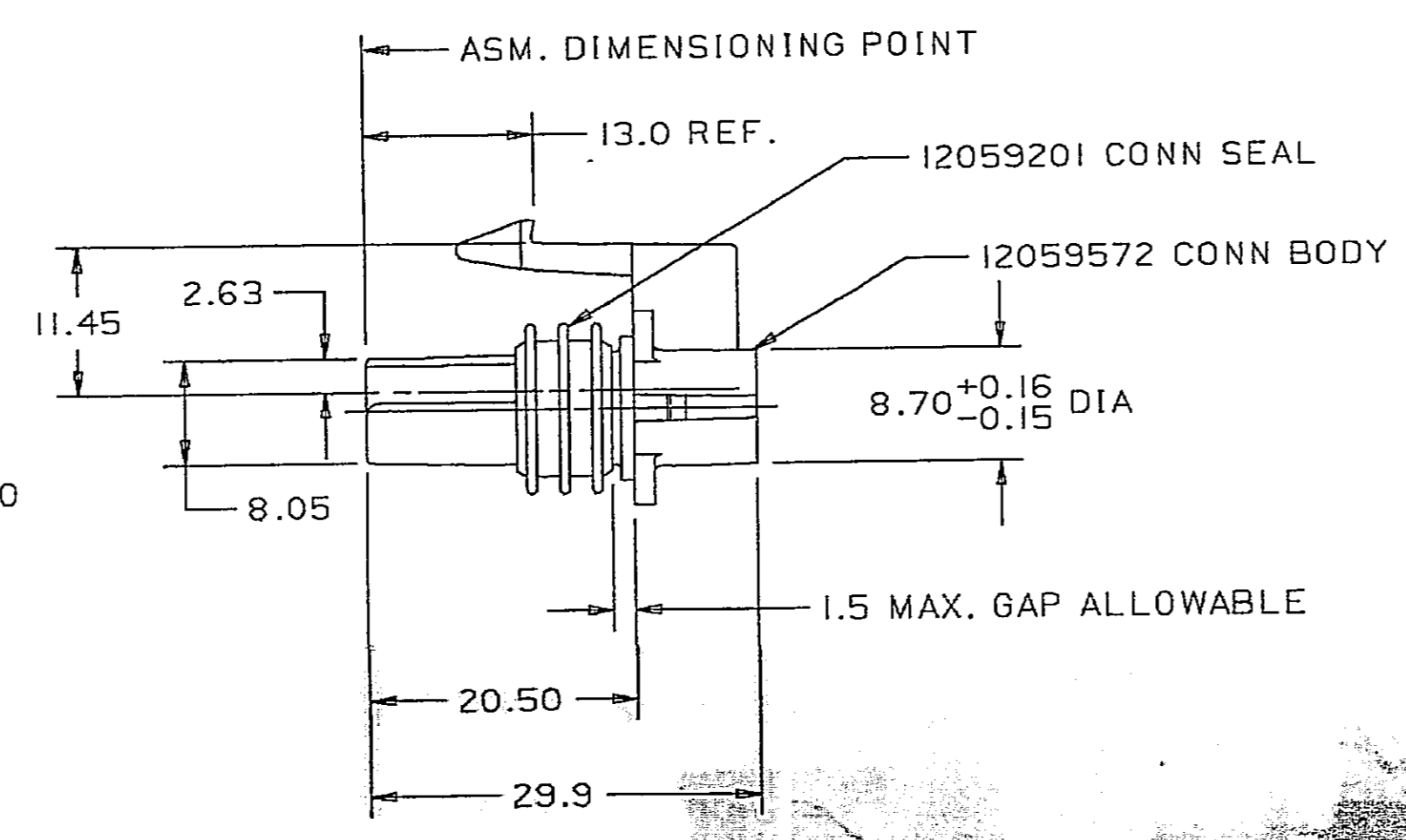
### SECTION B-B

### MATING CONNECTOR INFORMATION

- NOTES — 1. 1° DRAFT ON ALL SURFACES UNLESS OTHERWISE SPECIFIED.
2. DIMENSIONS ARE TO FACE OF VIEW SHOWN UNLESS OTHERWISE SPECIFIED.
3. ALL RADII 0.40 UNLESS OTHERWISE SPECIFIED.

RECOMMENDED MATERIAL — GLASS FILLED POLYESTER OR TYPE 6 NYLON.

- NOTES — 1. CAVITIES TO ACCEPT 12077412 TERMINAL OR EQUIVALENT.
2. THIS ASSEMBLY TO ACCEPT 12059195 SECONDARY TERMINAL LOCK OR EQUIVALENT.
3. THIS ASSEMBLY TO ACCEPT C.P.A. LOCK 12052834.
4. THIS ASSEMBLY MATES TO DELCO PRODUCTS PART NO. 22062394 OR EQUIVALENT.
5. THIS ASSEMBLY TO ACCEPT CABLE SEAL 12015323 OR EQUIVALENT.
6. WHEN PARTS ARE SHIPPED, THEY MUST BE PACKED IN PLASTIC BAGS OR SHIPPING CONTAINERS MUST BE LINED WITH PLASTIC LINERS. BAGS OR LINERS MUST BE SEALED TO AVOID ENTRY OF FOREIGN MATTER.
7. SEALING CODE 3.



C04D2016

DATE		SYN	REVISION RECORD		AUTH	DR	CK
02DE85	A		CAVITY LETTERS & NOTES ADDED				
02DE85			RELEASED		85005	JP	FH
150C86			8.70 DIA. WAS 8.70 DIA. ON 12059572 CONNECTOR		109562	SM	FH
15SE87			ADDED NOTE #7.		115423	JP	FH
17FE88	B		ADHESIVE ADDED		118462	DL	FH
09JA89	BI		12077412 TERMINAL WAS 12034454				
			IN NOTE #1		890005	TLB	BAR
31JL89	B2		REVISED LOCK ARM		128104	FH	JH
18FE93	C		REMOVED ADHESIVE NOTE		153986	SL	SL

CODE NO. 6900		TOLERANCE UNLESS OTHERWISE SPECIFIED	
QC-C-5110	SCALE 2:1	DECIMALS	ANGULAR ± 2°
DWG. DATE 02AU85	DR. J. Parker	ONE PLACE ± 0.3	TWO PLACE ± 0.15
CD.A.12059573	CK. F.HESTON	DATE 09DE85	
REFERENCE NO. 12040753	APPR. R.MAGA	DATE 10DE85	
	APPR. T.CUNNINGHAM	DATE 10DE85	
MATERIAL SPEC. SEE DRAWING			
NAME ASM CONN 6F M/P 280			
PART NO. 1205 9573			SIZE D