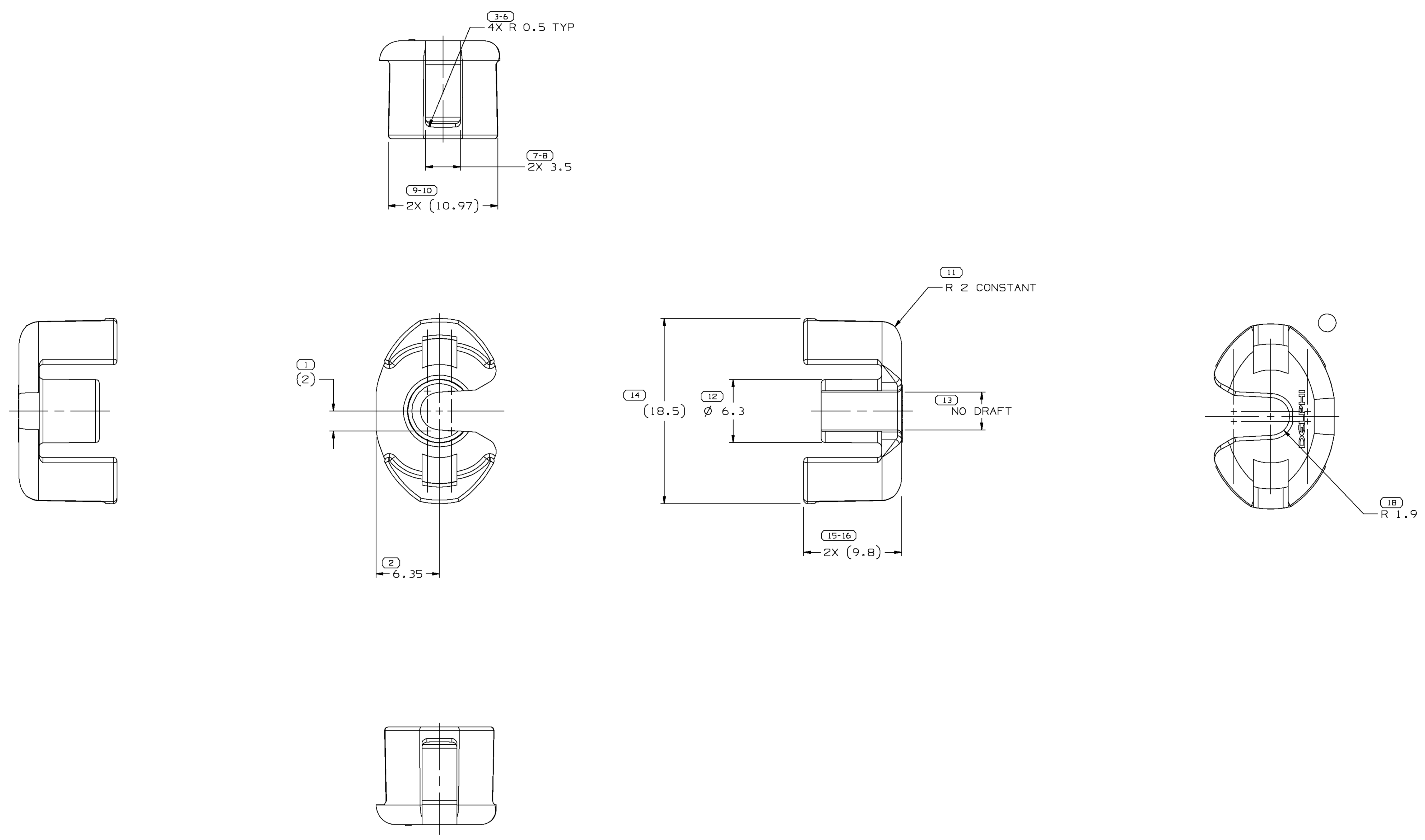


SYMBOL DEFINITION		MISSING NUMBERS	
A DIMENSION WITHOUT AN INSPECTION REPORT SYMBOL \emptyset DOES NOT REQUIRE INSPECTION. IT MAY BE CONTROLLED ON AN INDIVIDUAL COMPONENT DRAWING.	TOTAL NO. OF SYMBOLS ON DRAWING	11	17,
	LAST NO. USED	18	

DWG STATUS				REVISION HISTORY				AUTH	DR	APVD	APVD
DATE	STG	REV	W/P	CHG	ZONE	DESCRIPTION	NO				
17MR03	R	01	-	-		CLEARED REV COL 1 ALL PARTS - ADDED NOTES (2 PLS) AND REVISED MAT'L SPEC	237463	JYP	LEG	1	ET
05N003	R	02	-	-		ALL PARTS - REMOVED MATERIAL RECYCLING CODE FROM MODEL AND UPDATED NOTE: 15481000 - RELEASED	248063	JAA	JAA	RWF	2



- NOTES
- UNLESS OTHERWISE SPECIFIED AND/OR INDICATED: DIMENSIONS ARE TO FACE OF VIEW SHOWN AND AUTOMATICALLY ROUNDED BY COMPUTER FOR INSPECTION (SEE MATH MODEL FOR PRECISE DIMENSIONS). FOR ALL OTHER DIMENSIONS NOT SHOWN BUT REQUIRED FOR TOOL BUILD, SEE MATH MODEL FOR PRECISE TOOL PATH DATA. LOCKING FEATURES ARE IDENTICAL.
 - MATERIAL RECYCLING CODE PER ISO 11469. (2)X(0.1) RAISED CHARACTERS AS SHOWN TO BE LOCATED ON ANY EXTERIOR SURFACE. OPTIONAL CONSTRUCTION TO BE NO MATERIAL RECYCLING CODE.
 - THIS PART IS NOT CONTROLLED FOR AUTOMATIC FEEDING.
 - MATING COMPONENTS OR EQUIVALENT: CONNECTOR 12065170
 - (2)X(0.1) RAISED DELPHI CORPORATE BRAND TO BE LOCATED ON ANY EXTERIOR SURFACE, PREFERABLY VISIBLE AT FINAL ASSEMBLY. OPTIONAL CONSTRUCTION TO BE "PED" OR NO LOGO.
 - MAX CABLE DIAMETER THAT WILL FIT THIS PART IS ϕ 3.65
 - THE MATERIAL SPECIFIED CANNOT BE CHANGED WITHOUT THE APPROVAL OF THE SUPERVISOR OF COMPONENT LIAISON OR HIS DELEGATE.



PART NO	REV	STATUS	MATERIAL SPECIFICATION AND COLOR	VOL CM ³
15481000	01	-	M2965007 PPA HS IM GRN	0.520
15324594	A4	-	M3592008 PA66 HS IM BLU	0.520
12089753	E4	-	M3592012 PA66 HS IM GRA LT	0.520
12065249	F4	-	M3592001 PA66 HS IM BLK	0.520

(12) PROCESS SENSITIVE DIMENSION

FROM TO DIMENSIONAL RANGE (UM) TOLERANCE UNLESS OTHERWISE SPECIFIED

0	> 0	> 30	> 70	> 100	> 150	> 200	> 250	> 300
±0.15	±0.2	±0.3	±0.4	±0.5	±0.6	±0.8	±1	±1.2

CHART E1

DO NOT SCALE

USE MATH DATA

THIRD ANGLE PROJECTION

UNIGRAPHICS

DELPHI

DELPHI PACKARD ELECTRIC SYSTEMS
WARREN, OH

DR	DATE
APVD1 J. HOUGELMAN	17APB9
APVD2 J. HOUGELMAN	17APB9
APVD3 R. LANDRIES	17APB9
APVD4	
APVD5	SUBSTANCES OF CONCERN AND RECYCLED CONTENT PER DELPHI 10949001

MATERIAL SEE CHART

DRAWING NAME
TAXI LOCK TERM LK TPA

DRAWING NUMBER
12089764

SIZE A0 SCALE 5:1 FRAME NO 1 OF 1 SHEET NO 1 OF 1 STG REV W/P 02