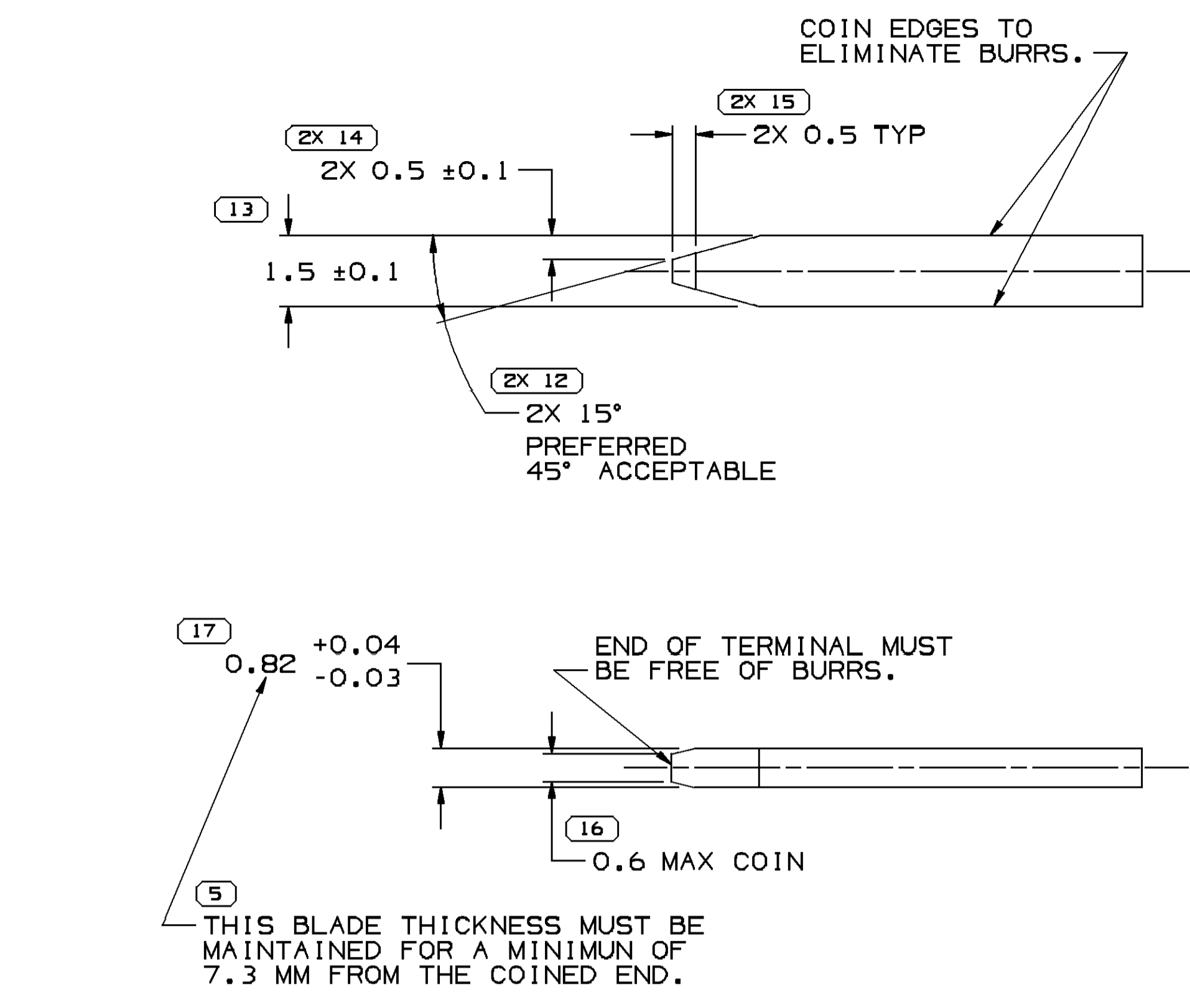


SYMBOL DEFINITION		TOTAL NO OF INSPECTIONS REQUIRED	77
A DIMENSION WITHOUT AN INSPECTION REPORT SYMBOL DOES NOT REQUIRE INSPECTION. IT MAY BE CONTROLLED ON THE INDIVIDUAL COMPONENT DRAWING.		LAST NO. USED	64

MISSING SYMBOLS		NO MISSING SYMBOL NUMBER	
DATE	REV	NO	NO
310C02	R	01	-
060C11	R	02	-
03JA14	R	03	-



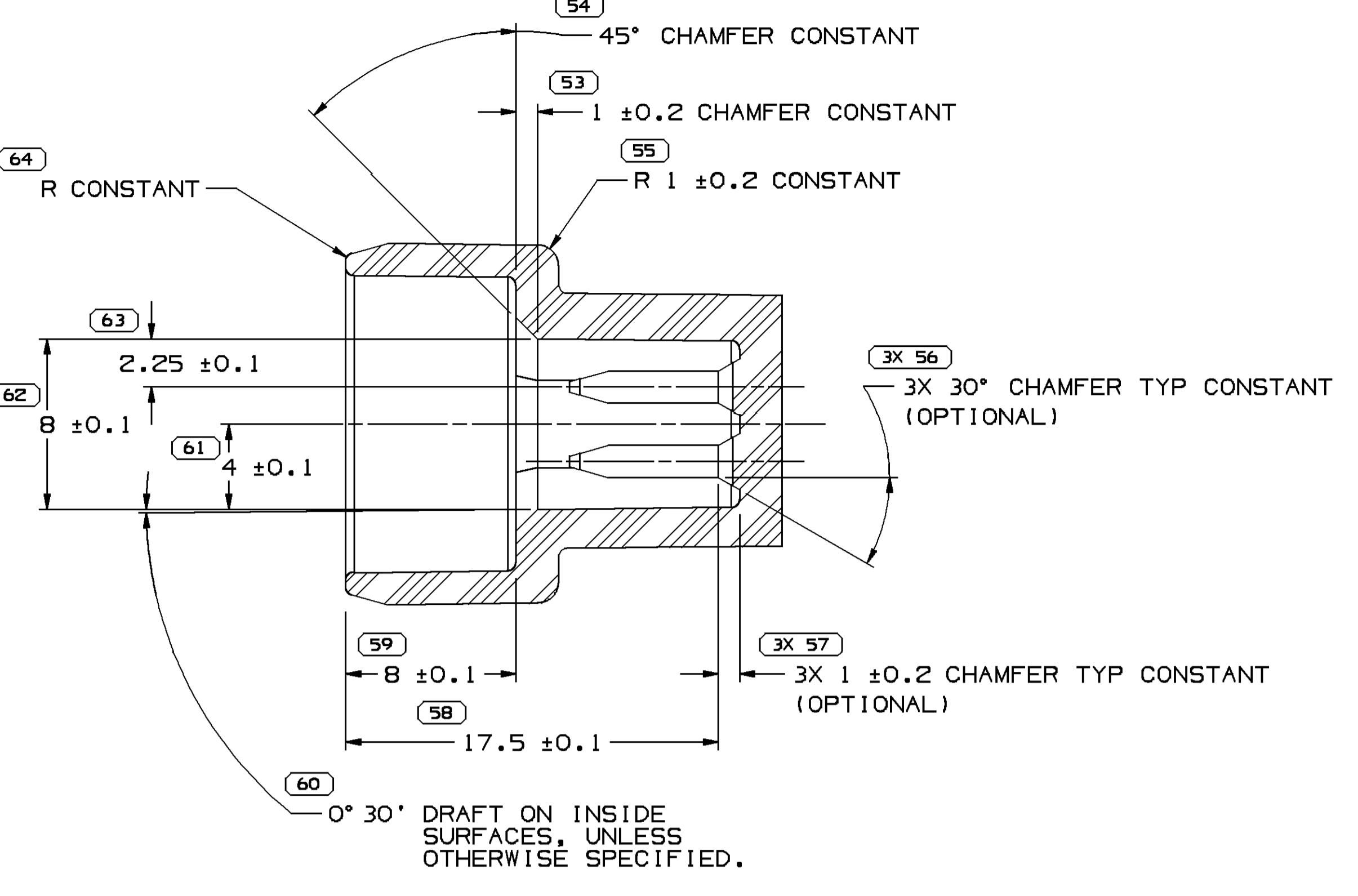
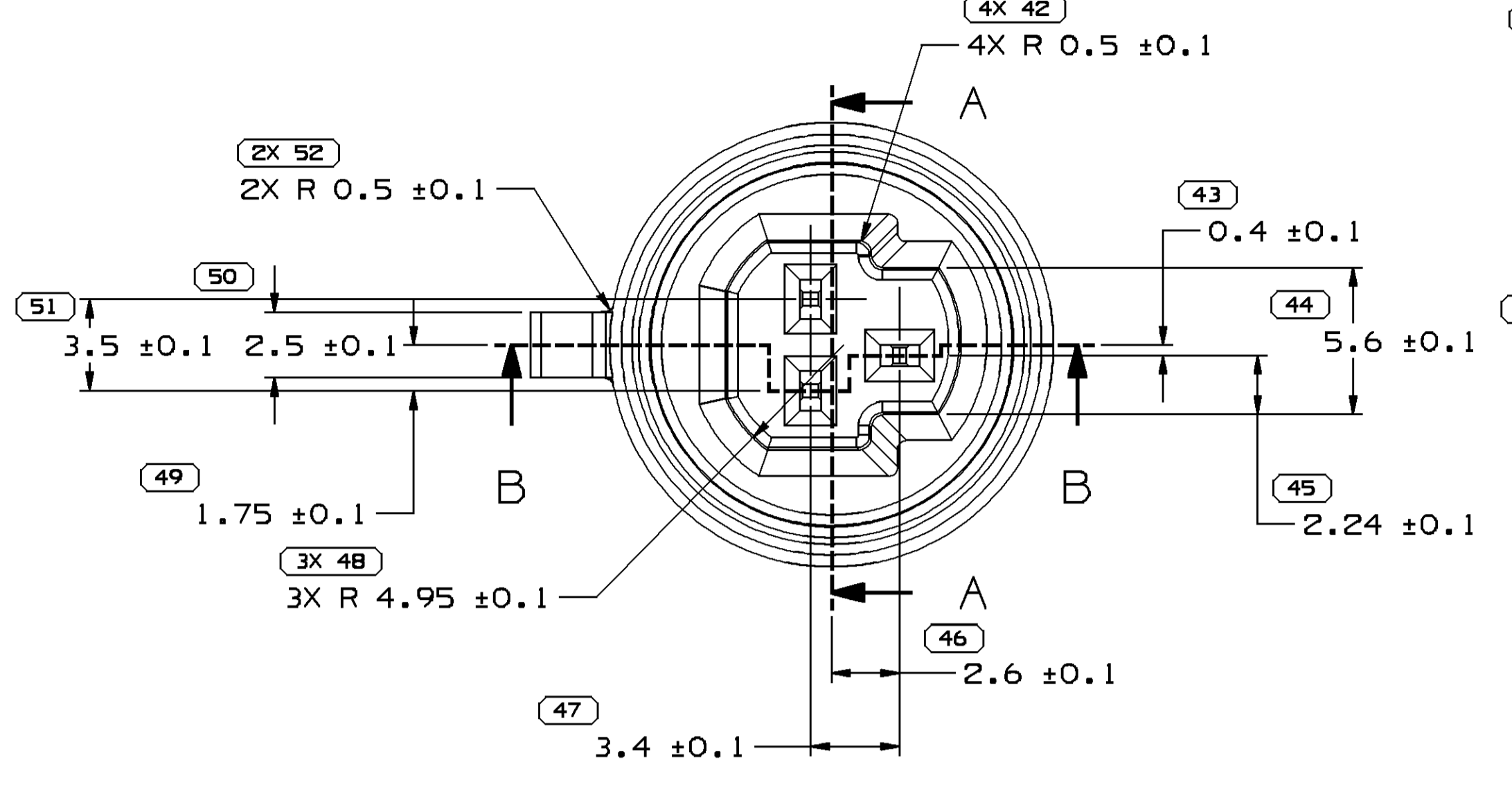
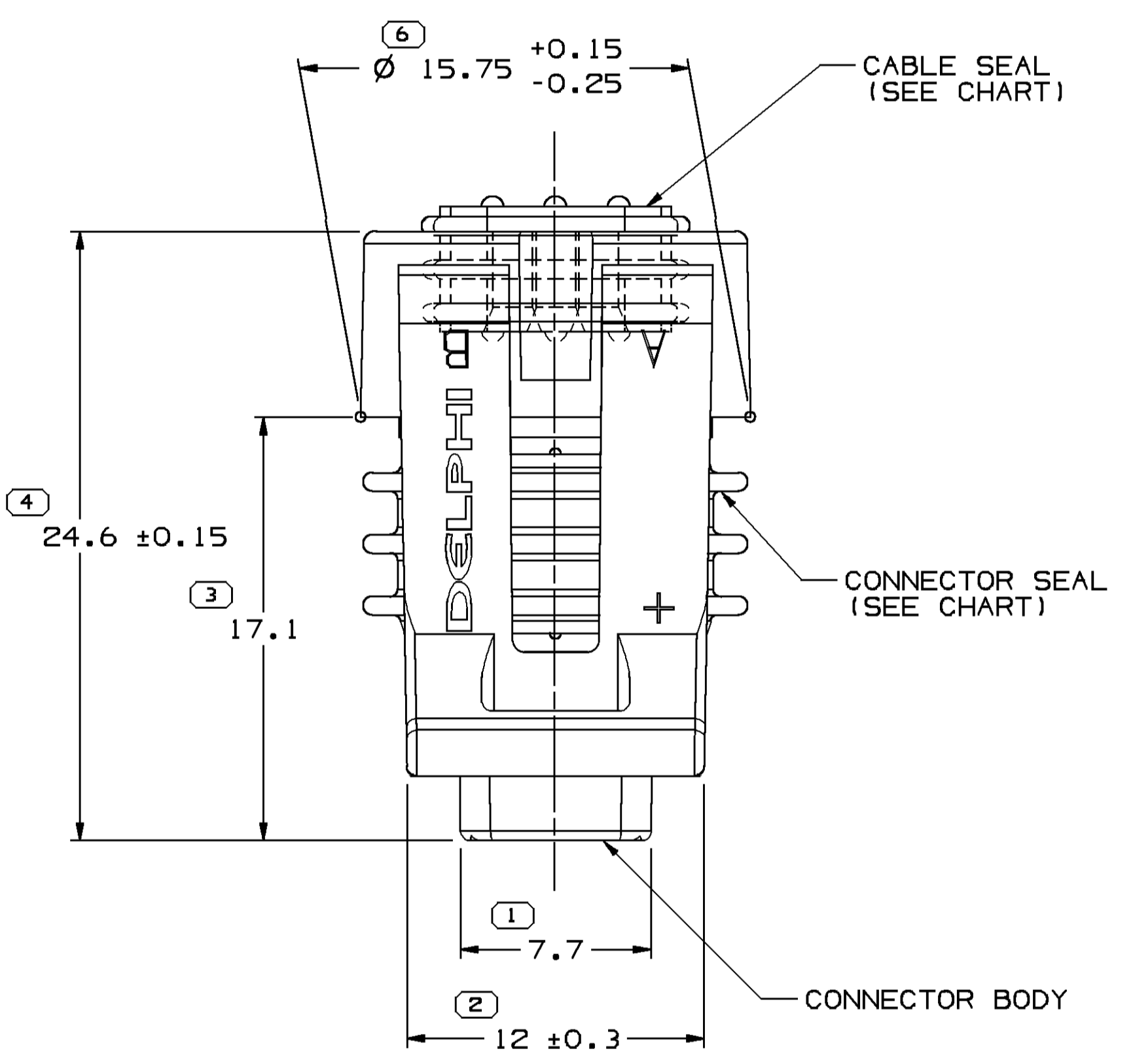
RECOMMENDED MATERIAL:  
P-1546 (CA210) EXTRA SPRING  
TEMPER-TIN PLATED BRASS

PLATING THICKNESS: 0.005-0.003 MM

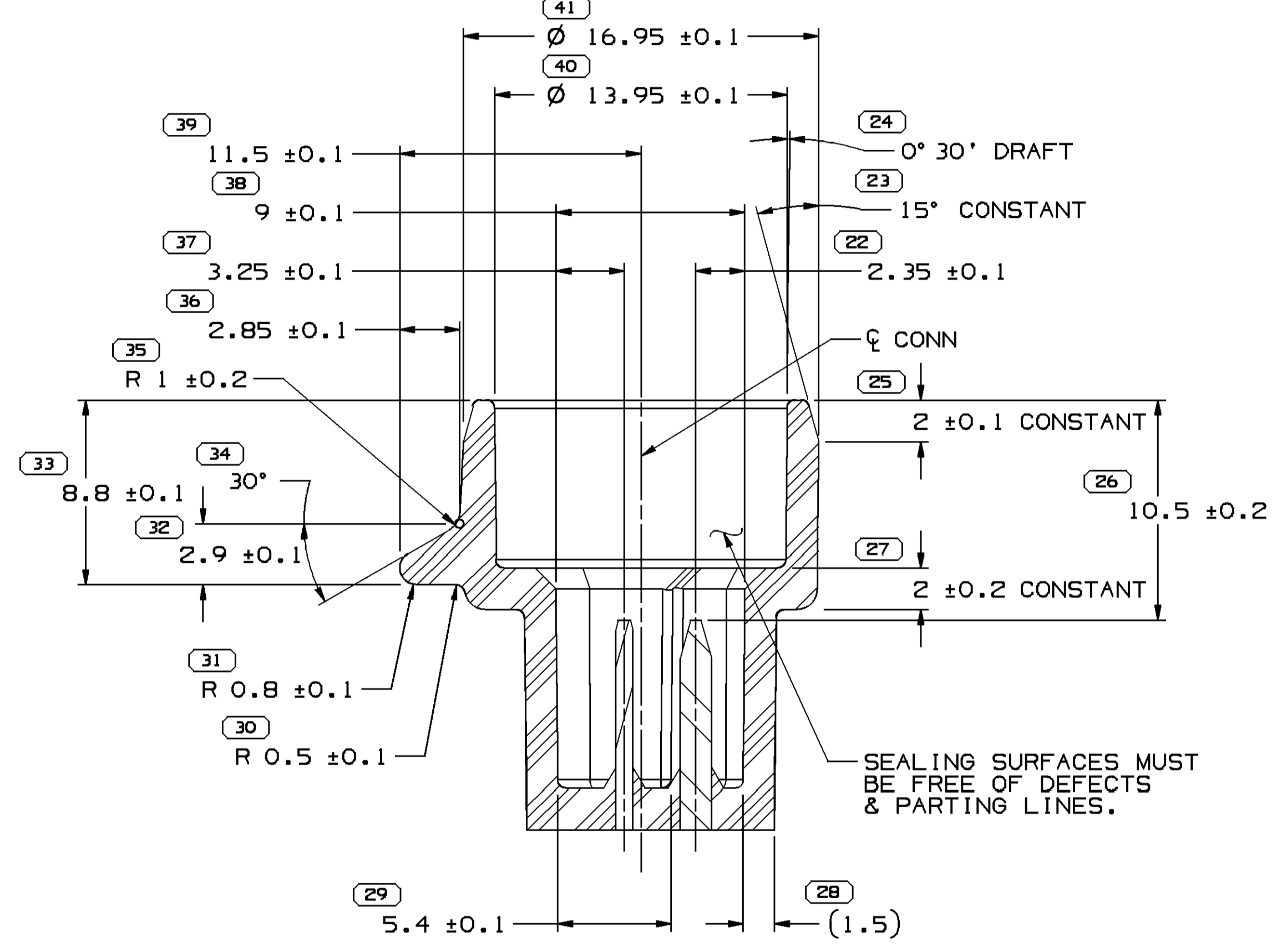
TENSILE STRENGTH: 480-430 MPa

MATING TERMINAL INFORMATION  
SCALE 10:1

INSPECTION SYMBOLS SHOWN IN THESE VIEWS ARE FOR REFERENCE ONLY



SECTION A-A

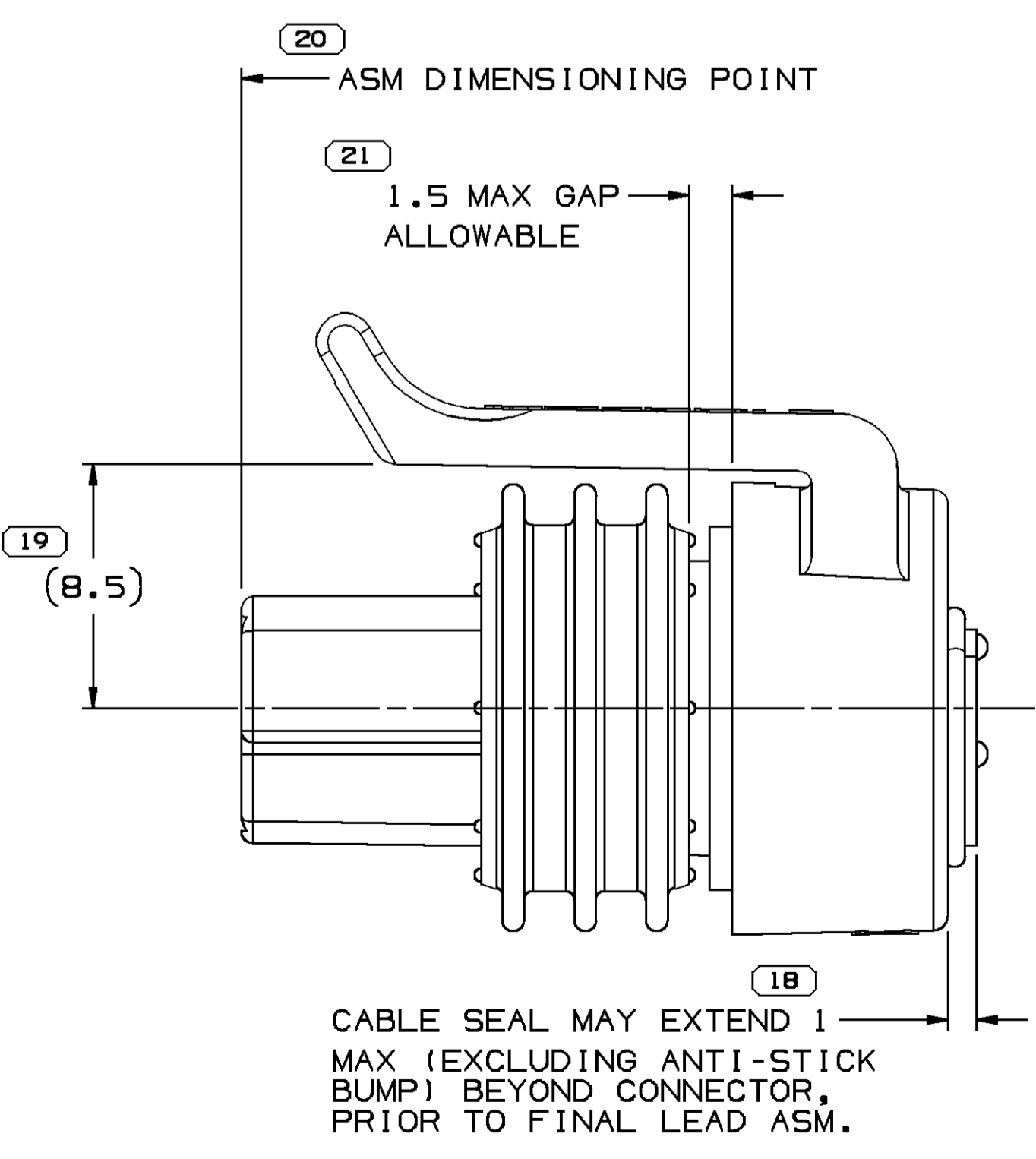
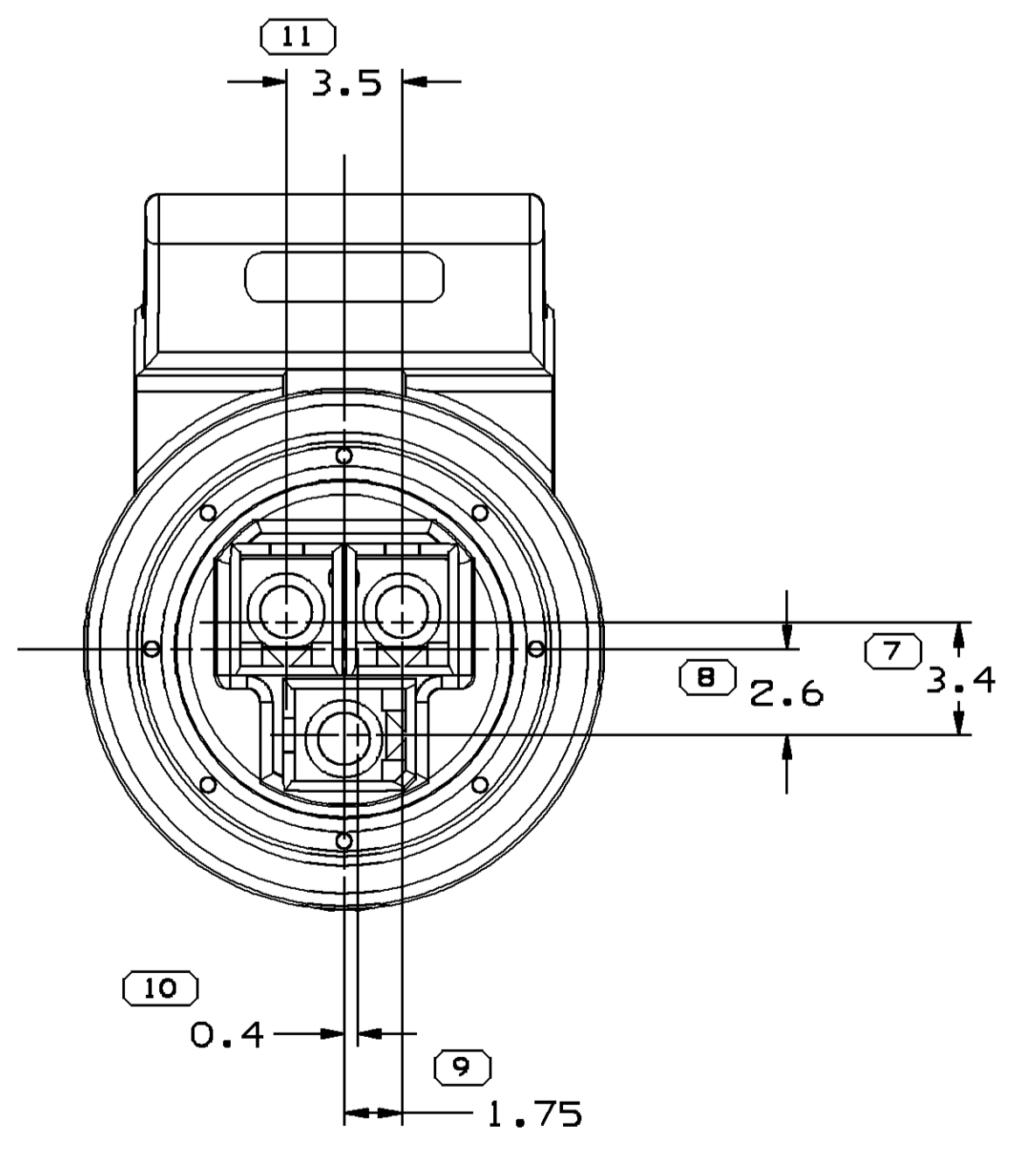


SECTION B-B

MATING CONNECTOR INFORMATION

RECOMMENDED MATERIAL: GLASS-FILLED POLYESTER  
M-2192-001-NATURAL

INSPECTION SYMBOLS SHOWN IN THESE VIEWS ARE FOR REFERENCE ONLY

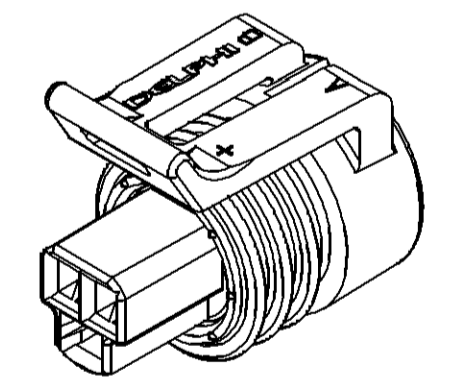


TYPE 101

TYPE 102  
SAME AS TYPE 101  
EXCEPT AS SHOWN

NOTES

- UNLESS OTHERWISE SPECIFIED AND/OR INDICATED; DIMENSIONS ARE TO FACE OF VIEW SHOWN AND AUTOMATICALLY ROUNDED BY COMPUTER FOR INSPECTION (SEE MATH MODEL FOR PRECISE DIMENSIONS). FOR ALL OTHER DIMENSIONS NOT SHOWN BUT REQUIRED FOR TOOL BUILD, SEE MATH MODEL FOR PRECISE TOOL PATH DATA.
- WHEN PARTS ARE SHIPPED THEY MUST BE PACKED IN PLASTIC BAGS OR SHIPPING CONTAINERS MUST BE LINED WITH PLASTIC LINERS. BAGS OR LINERS MUST BE SEALED TO AVOID ENTRY OF FOREIGN MATTER.
- SEALING CODE 3 - DESIGN WILL PASS SALT FOG AND IMMERSION TEST AFTER CONDITIONING AS SPECIFIED IN ESA-644 (WEATHER-PACK), ESA-710 (METRI-PACK), ESA-650 (UNDERHOOD MICRO-PACK), C-4006 (WORLD CONNECTOR), ETC WHEN MATED TO MATING PART OR EQUIVALENT
- THIS PART ACCEPTS THE FOLLOWING COMPONENTS OR EQUIVALENT: CAVITIES TO ACCEPT 12047680 TERMINAL.
- FOR LEAD LENGTH CALCULATIONS, DISTANCE FROM MATING END OF CONNECTOR TO FRONT END OF CABLE CORE IS 10.15/7.05.
- FOR PART NUMBERS WITH ADHESIVE, USE M3510001 OR ADHESIVE APPROVED BY MATERIALS ENGINEERING TO GLUE CONNECTOR SEAL TO CONNECTOR.
- FOR APPLICATION DATA SEE THE INDIVIDUAL APPLICATION DRAWINGS.
- S-60-T LUBEWELL LUBRICANT CAN BE USED AS AN AUXILIARY SUPPORT ON THE CABLE INSTALLATION PROCESS.



PART NO. WITH ADHESIVE	REV	N/P	PART NO. WITHOUT ADHESIVE	REV	N/P	TYPE	CONNECTOR	CONNECTOR SEAL	CABLE SEAL & COLOR
12186689	B3	-	15452173	01	AB	102	12065286	15439078	12065285 - RED
			12186827	A3	-	101	12065286	12186821	12110072 - TAN
			12162226	C3	-	101	12162225	12052893	12078089 - PURPLE
			12110192	B3	-	101	12065286	12052893	12110072 - TAN
			12078090	C3	-	101	12065286	12052893	12078089 - PURPLE
			12065287	B3	-	101	12065286	12052893	12065285 - RED

DIMENSIONAL RANGE (MM)	CHART SET
FROM > 0	> 20
> 20	> 30
> 30	> 40
> 40	> 50
> 50	> 60
> 60	> 70
> 70	> 80
> 80	> 90
> 90	> 100
> 100	> 150
> 150	> 200
> 200	> 250
> 250	> 300
> 300	> 400

DELPHI CORPORATION  
TROY, MI 48060

THIS DRAWING IS THE PROPERTY OF DELPHI CORPORATION AND CONTAINS DELPHI CONFIDENTIAL INFORMATION. THE REPRODUCTION, DISTRIBUTION AND UTILIZATION OF THIS DOCUMENT OR ITS CONTENTS TO ANY OTHERS, WITHOUT EXPRESS AUTHORIZATION, IS PROHIBITED.

DATE: 21-DEC-13 Time: 08:25

OR: J. REEVES, T. MUDREY, R. CANNATTI

21DE87, 05JABB, 06JABB

SEE DRAWING

DRAWING NUMBER: 12078088

TAXI ASM CONN F/M/P 150 SLD

SIZE: A0 SCALE: 5:1 FRAME NO: 1 OF 1 SHEET NO: 1 OF 1 STG REV: N/P R 03