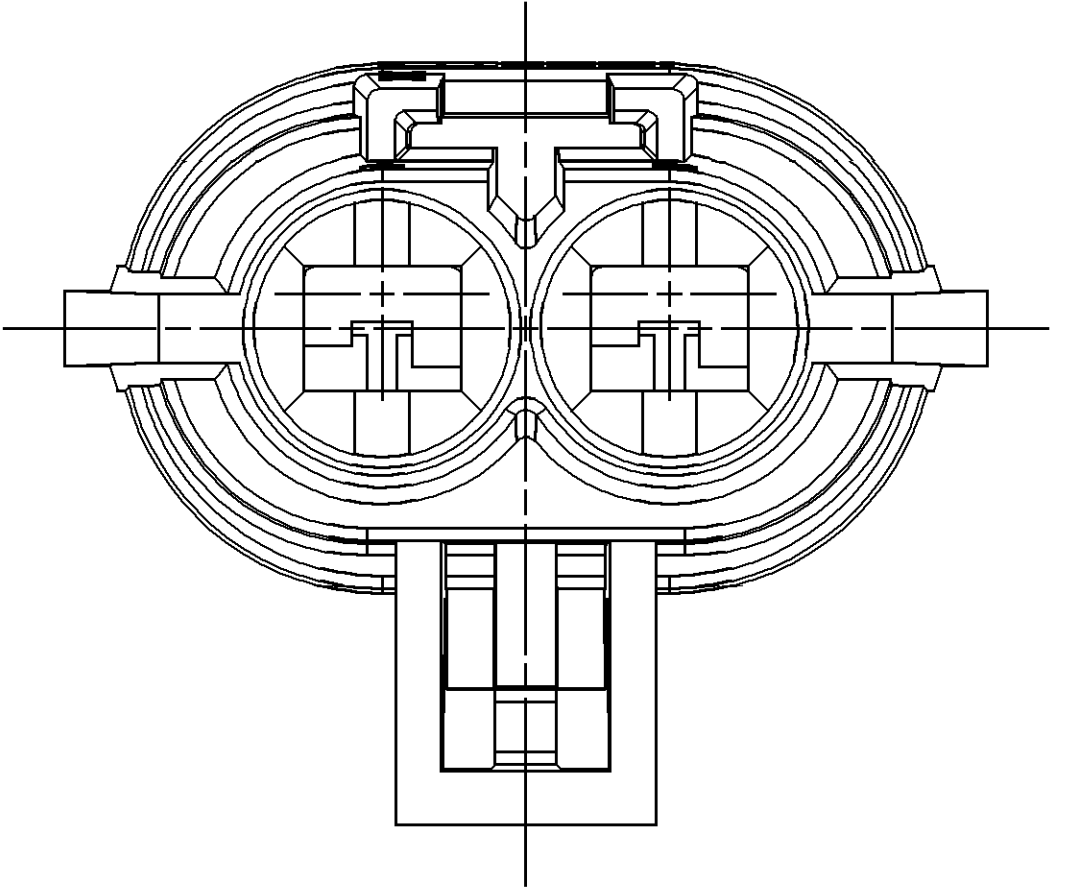
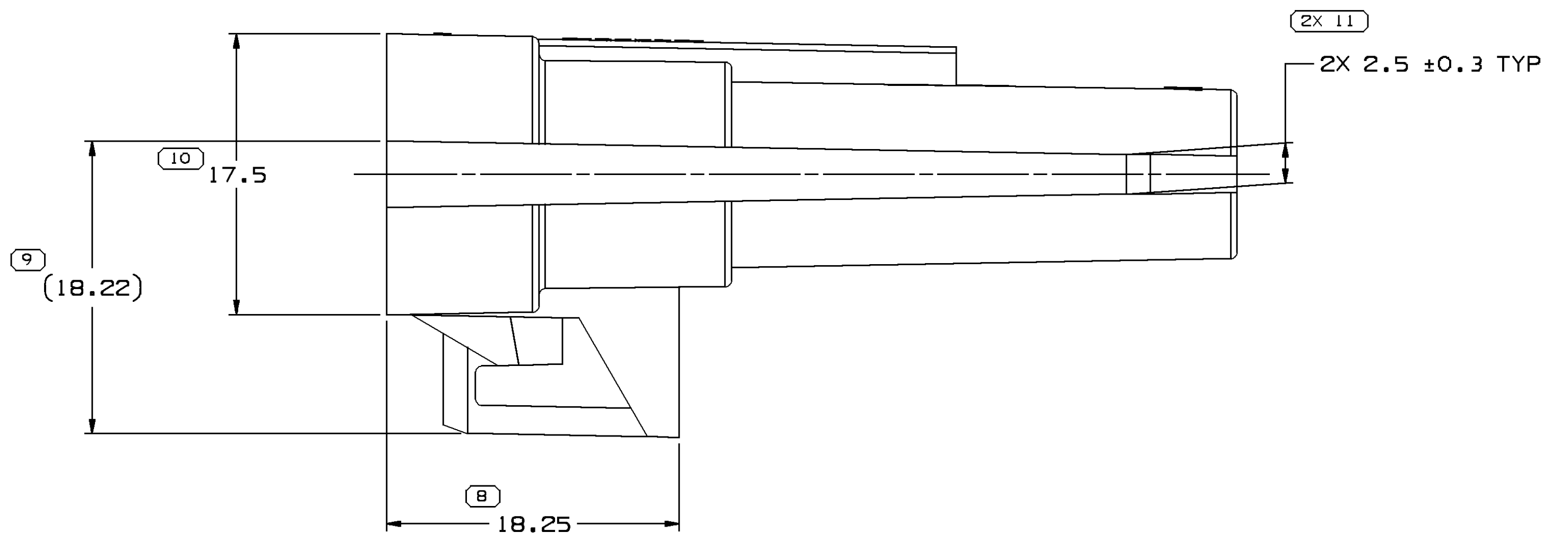
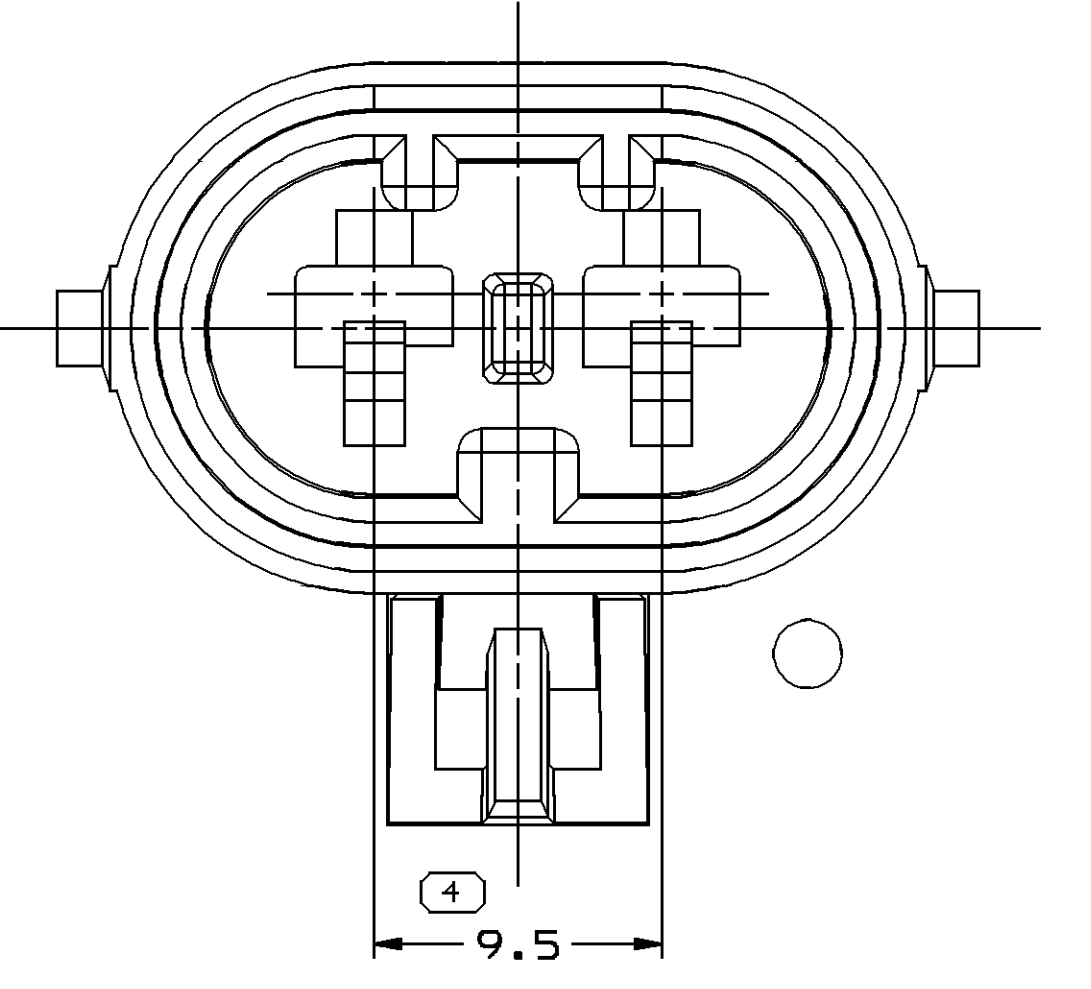
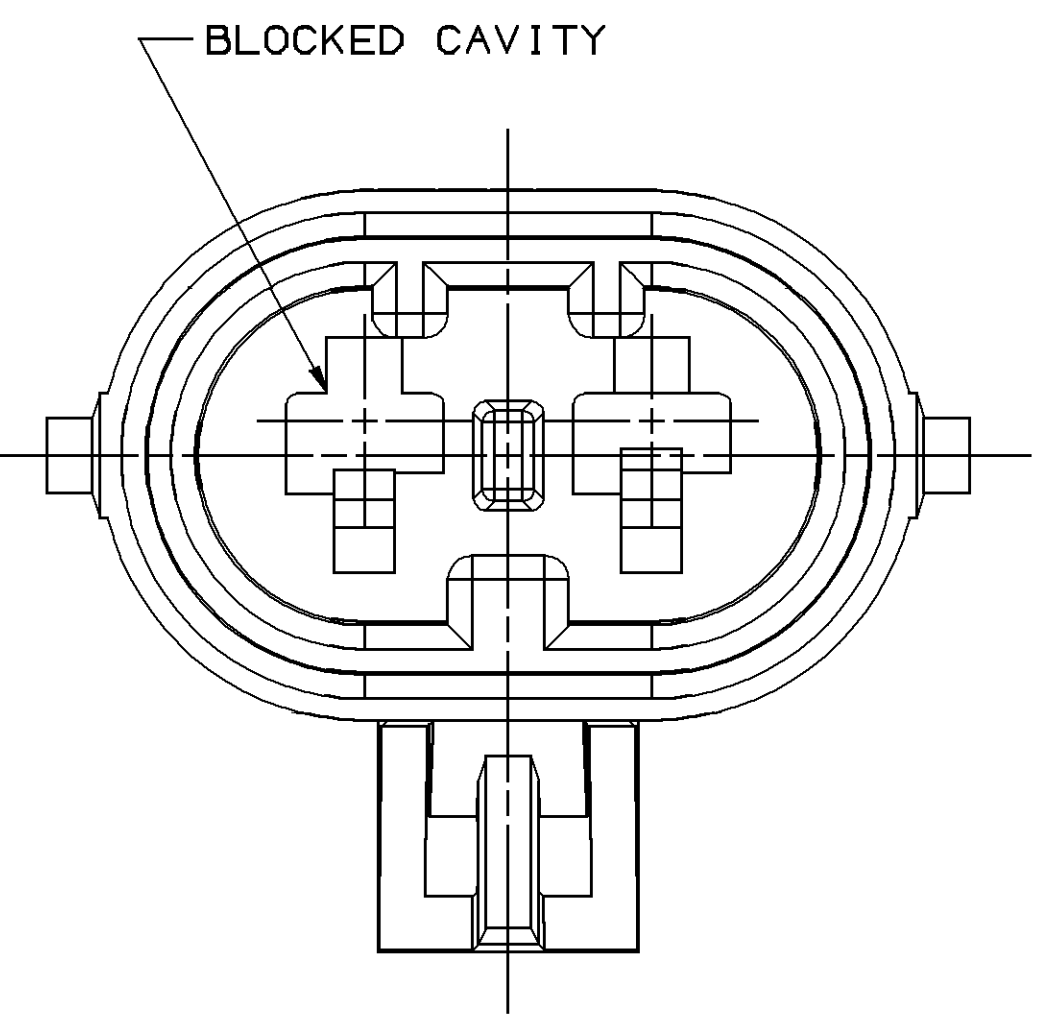
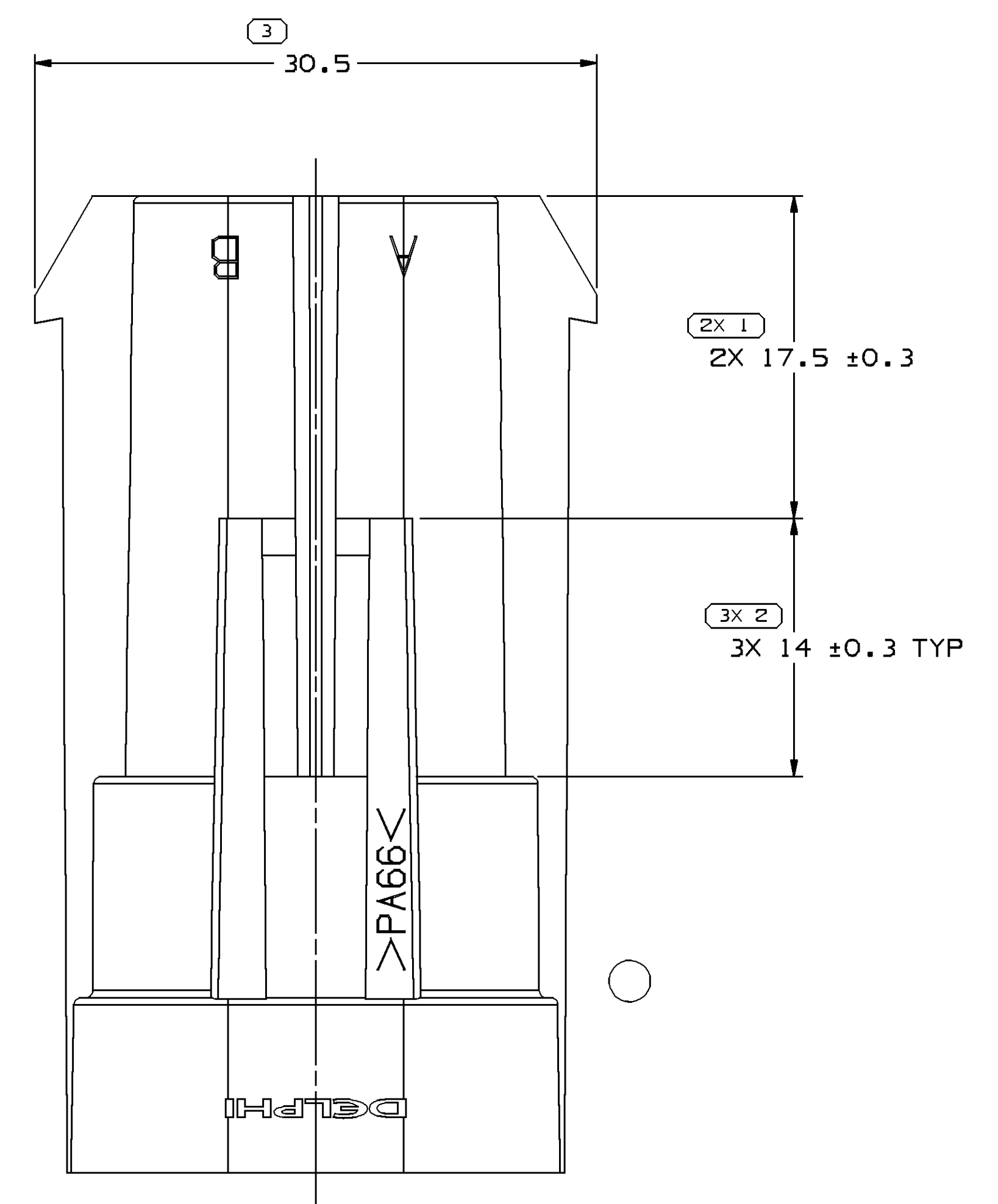


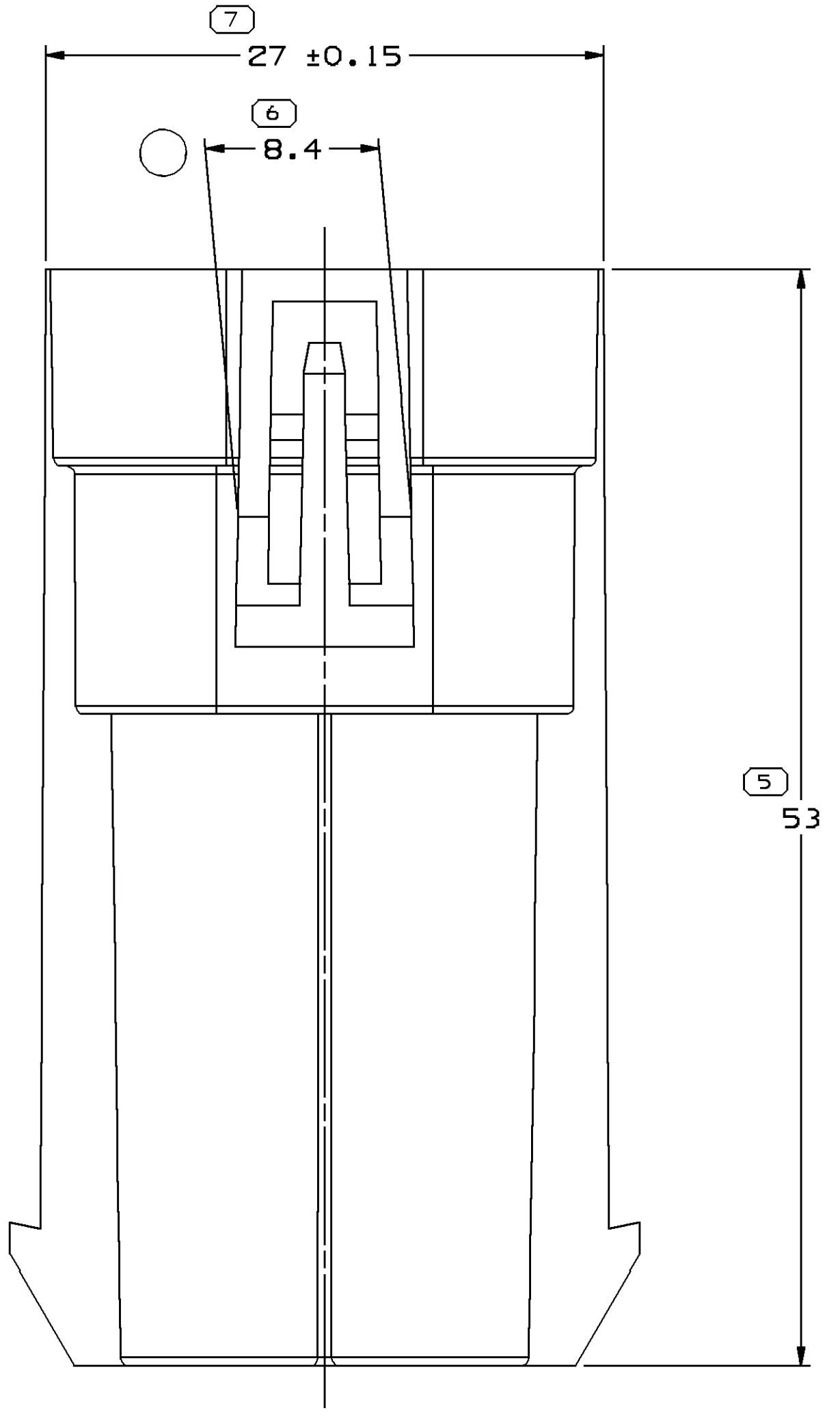
SYMBOL DEFINITION		TOTAL NO OF INSPECTIONS REQUIRED	15
A DIMENSION WITHOUT AN INSPECTION REPORT SYMBOL DOES NOT REQUIRE INSPECTION. IT MAY BE CONTROLLED ON THE INDIVIDUAL COMPONENT DRAWING.		LAST NO. USED	11

DWG STATUS				REVISION HISTORY				AUTH	DR	AP/VD			
DATE	STG	REV	N/P	CHG	ZONE								
14FE05	R	02	-	-		ALL PARTS - REDRAWN TO PD AND UPDATED MAT'L SPEC				264690	CCV	JAA	ET
05JA06	R	03	-	-		ALL PARTS - ADDED BLOCKED CAVITY AND MATING CONNECTOR INFORMATION TO CHART				275972	JS	JS	B6
18MY06	R	04	-	-		ALL PARTS - ADDED RECYCLING CODE, DELPHI BRAND AND MATERIAL SAYER TO CLIP SLOTT. REVISED DRAFT ON LOCK FEATURE AND INDEX RIBS TO MAKE MODEL MATCH PART				280073	RH	RH	BD6

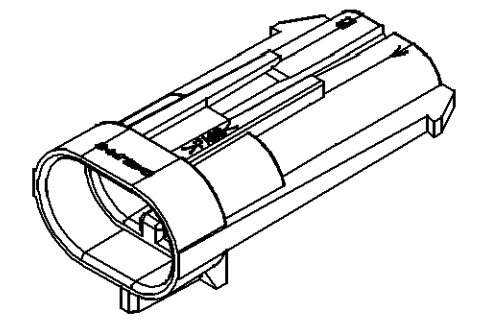


TYPE 102
SAME AS TYPE 101
EXCEPT AS SHOWN

TYPE 101



- NOTES
- UNLESS OTHERWISE SPECIFIED AND/OR INDICATED:
DIMENSIONS ARE TO FACE OF VIEW SHOWN AND AUTOMATICALLY ROUNDED BY COMPUTER FOR INSPECTION (SEE MATH MODEL FOR PRECISE DIMENSIONS). FOR ALL OTHER DIMENSIONS NOT SHOWN BUT REQUIRED FOR TOOL BUILD, SEE MATH MODEL FOR PRECISE TOOL PATH DATA.
 - MATERIAL RECYCLING CODE PER ISO 11469. (1,5)X(0,1) CHARACTERS AS SHOWN TO BE LOCATED ON ANY EXTERIOR SURFACE. OPTIONAL CONSTRUCTION TO BE NO MATERIAL RECYCLING CODE.
 - THIS PART ACCEPTS THE FOLLOWING COMPONENTS OR EQUIVALENT:
CAVITIES TO ACCEPT TERMINAL 12065196
SECONDARY TERMINAL LOCK 12059897
CABLE SEAL 12048442
CONNECTOR POSITION ASSURANCE LOCK 12020833
 - (1,1)X(0,1) DELPHI CORPORATE BRAND TO BE LOCATED ON ANY EXTERIOR SURFACE, PREFERABLY VISIBLE AT FINAL ASSEMBLY. OPTIONAL CONSTRUCTION TO BE "PED" OR NO LOGO.



PART NO	REV	N/P	STATUS	TYPE	MATERIAL SPECIFICATION AND COLOR	VOLUME (CM ³)	BLOCKED CAVITY	MATING CONNECTOR OR EQUIVALENT
12124362	A3	-	-	102	M3592025 PA66 HS IM GRA MD	7.404	-	12124388
12065863	D4	-	-	101	M3592001 PA66 HS IM BLK	7.379	-	12052613

DIMENSIONAL RANGE (MM)	TOLERANCE UNLESS OTHERWISE SPECIFIED	ANGLE OR TOLERANCE 2C°
FROM > 0 TO > 20	±0.2	±1
> 20 TO > 30	±0.3	±1
> 30 TO > 70	±0.4	±1
> 70 TO > 100	±0.5	±1
> 100 TO > 150	±0.6	±1
> 150 TO > 200	±0.8	±1
> 200 TO > 250	±1	±1
> 250 TO > 300	±1.2	±1

DWG TYPE		PART DRAWING	
STYLE	SEE CHART	DISTR CODE	D
UNLESS OTHERWISE SPECIFIED THIS DOCUMENT IS IN ACCORDANCE WITH ASME Y14.5M-1994 AS MODIFIED BY THE IN-SOURCE DIMENSIONING PRACTICES. ADDITIONAL DIMENSIONING PRACTICES OR FEATURES MAY BE BASED SEPARATELY PER RELEASE OF DATUM REFERENCES.			
ALL DIMENSIONS ARE IN MILLIMETERS			
THIRD ANGLE PROJECTION			
DO NOT SCALE			
USE MATH DATA			

DELPHI
DELPHI PACKARD ELECTRIC SYSTEMS
WARREN, OH

DR	DATE
APV01 TERRY MARRIE	11FE96
APV02 TERRY MARRIE	11FE92
APV03 M.D. McGEOWEN	13FE92
APV04	
APV05	

SUBSTANCES OF CONCERN AND RECYCLED CONTENT PER DELPHI 10947001

DRAWING NAME
TAXI CONN M W/P 480 SLD

DRAWING NUMBER
12124385

SIZE	SCALE	FRAME NO	SHEET NO	STG	REV	N/P
A0	4:1	1	1	1	04	-