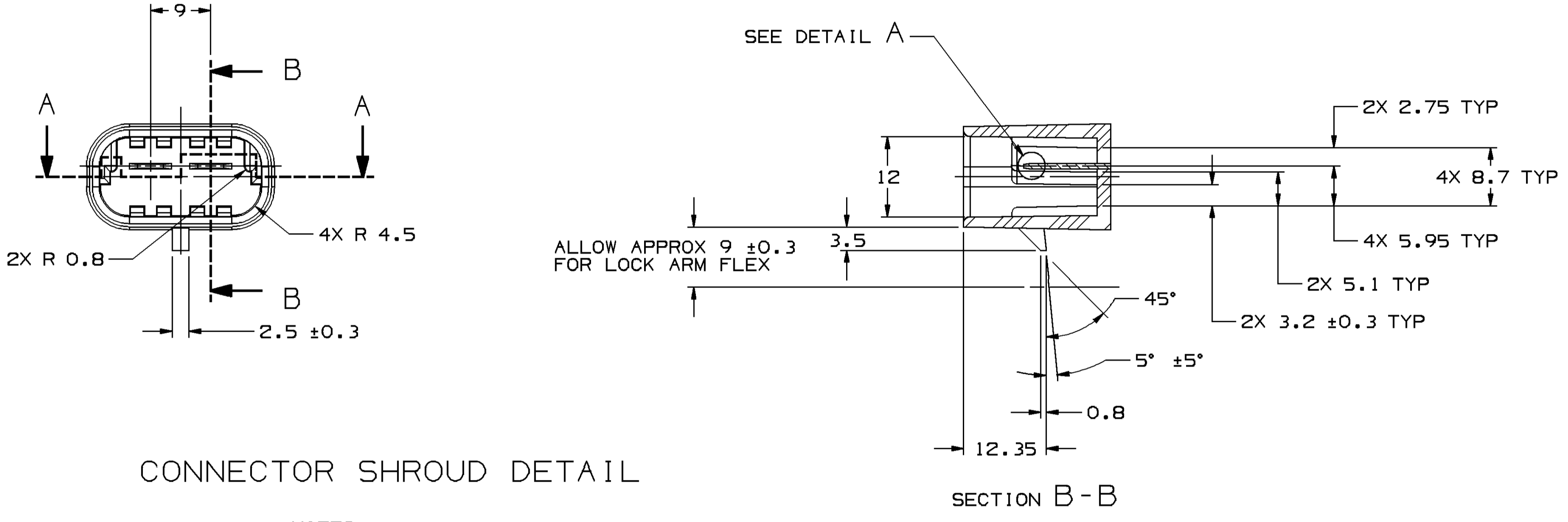
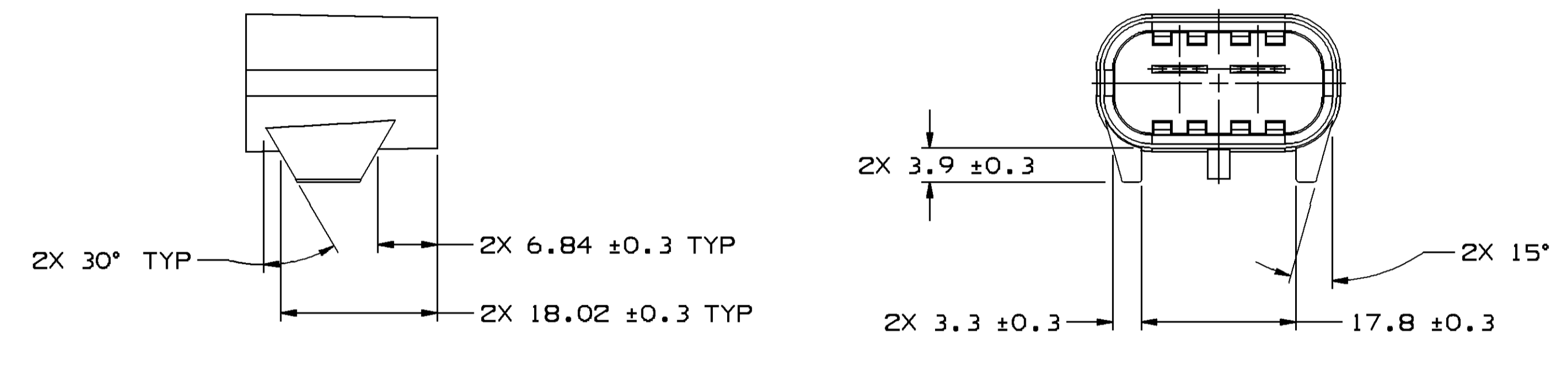
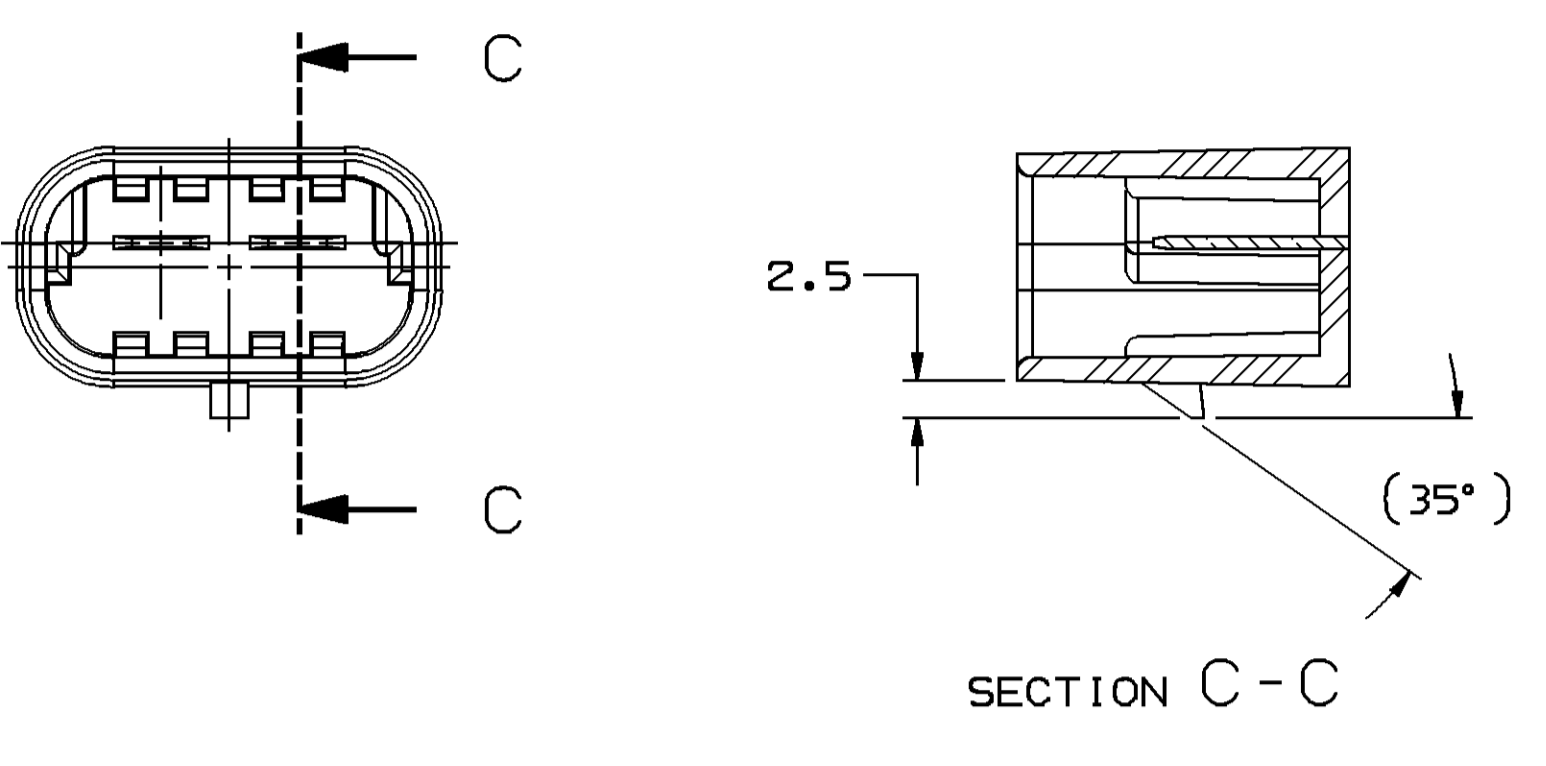
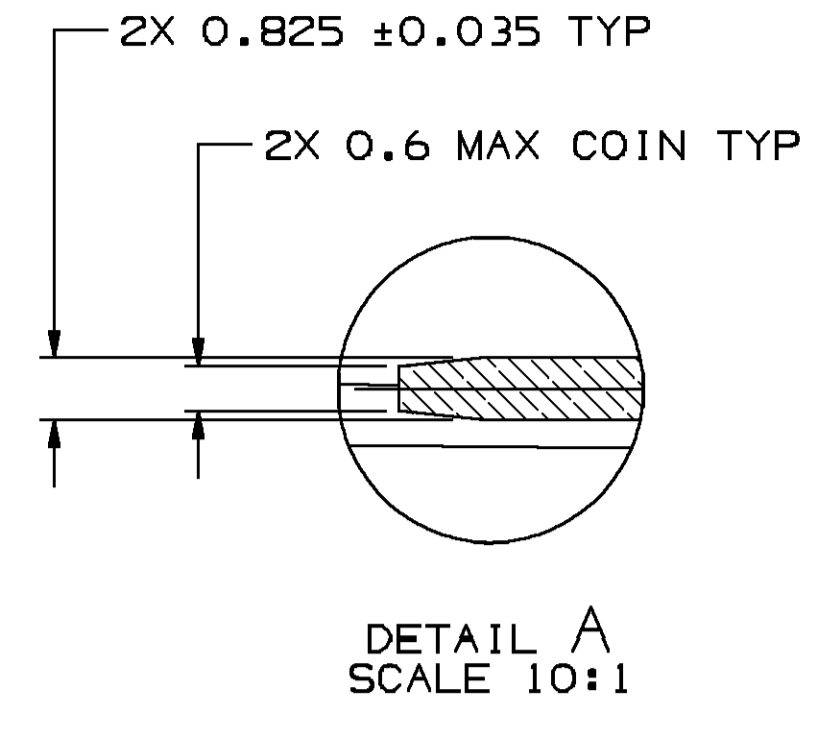
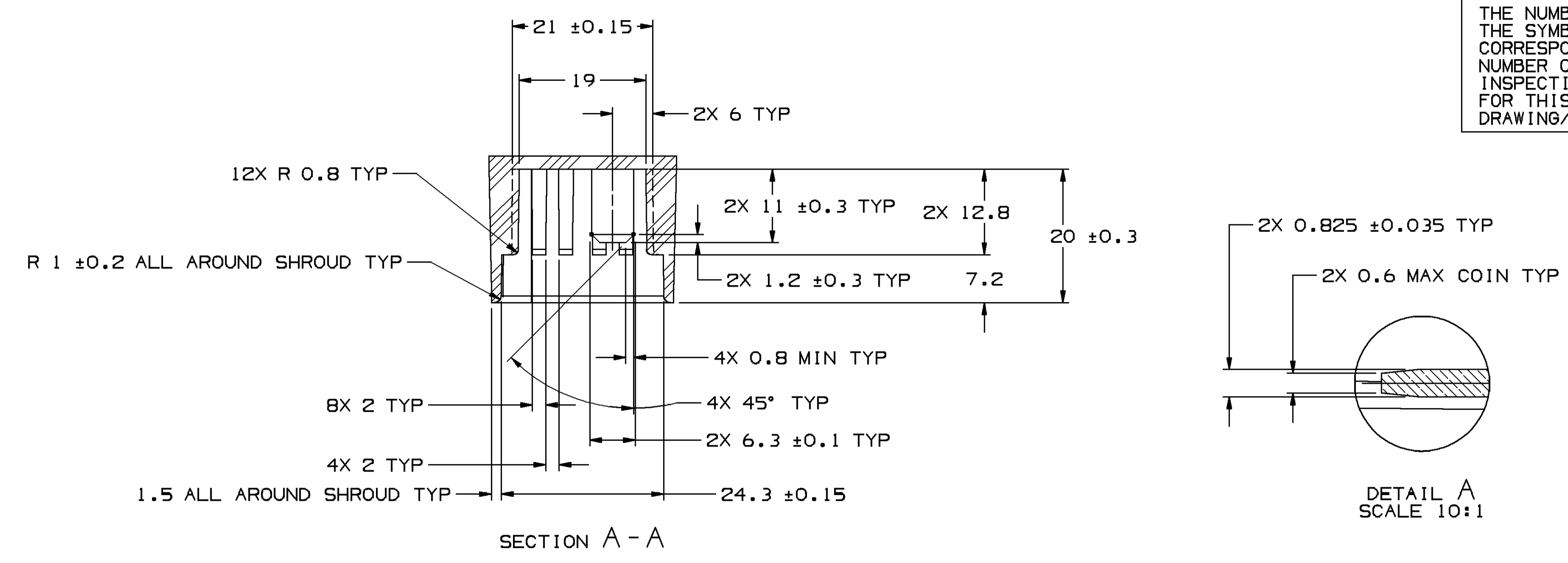
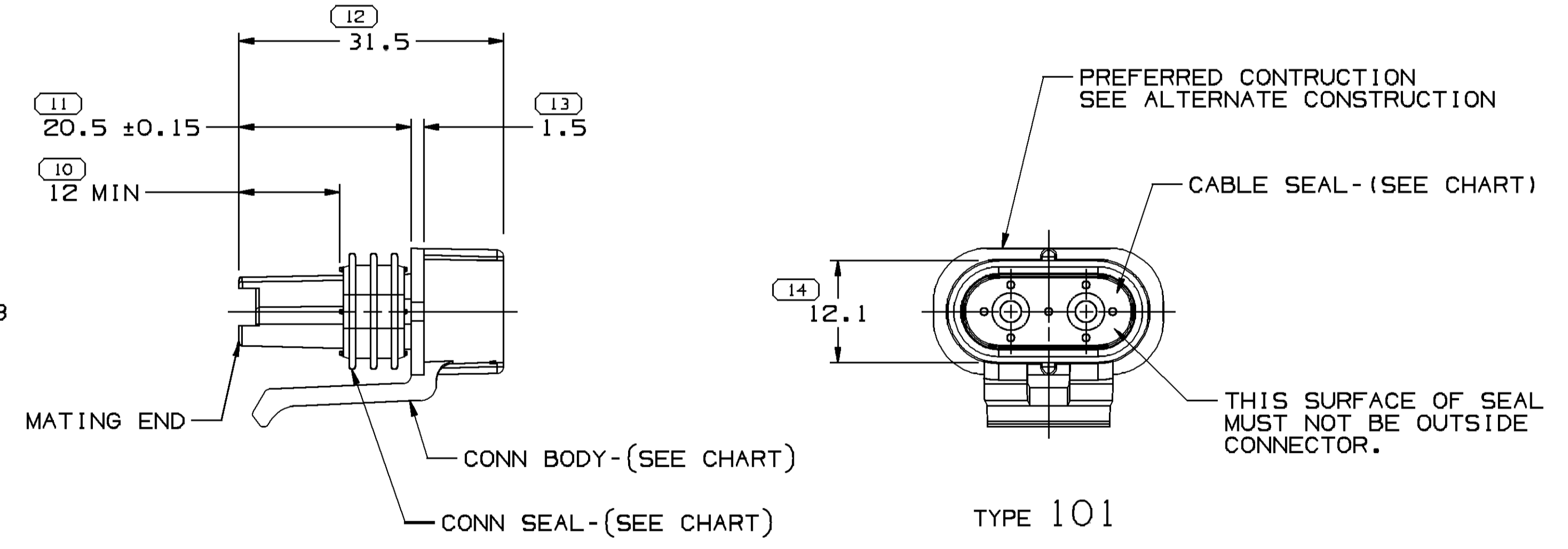
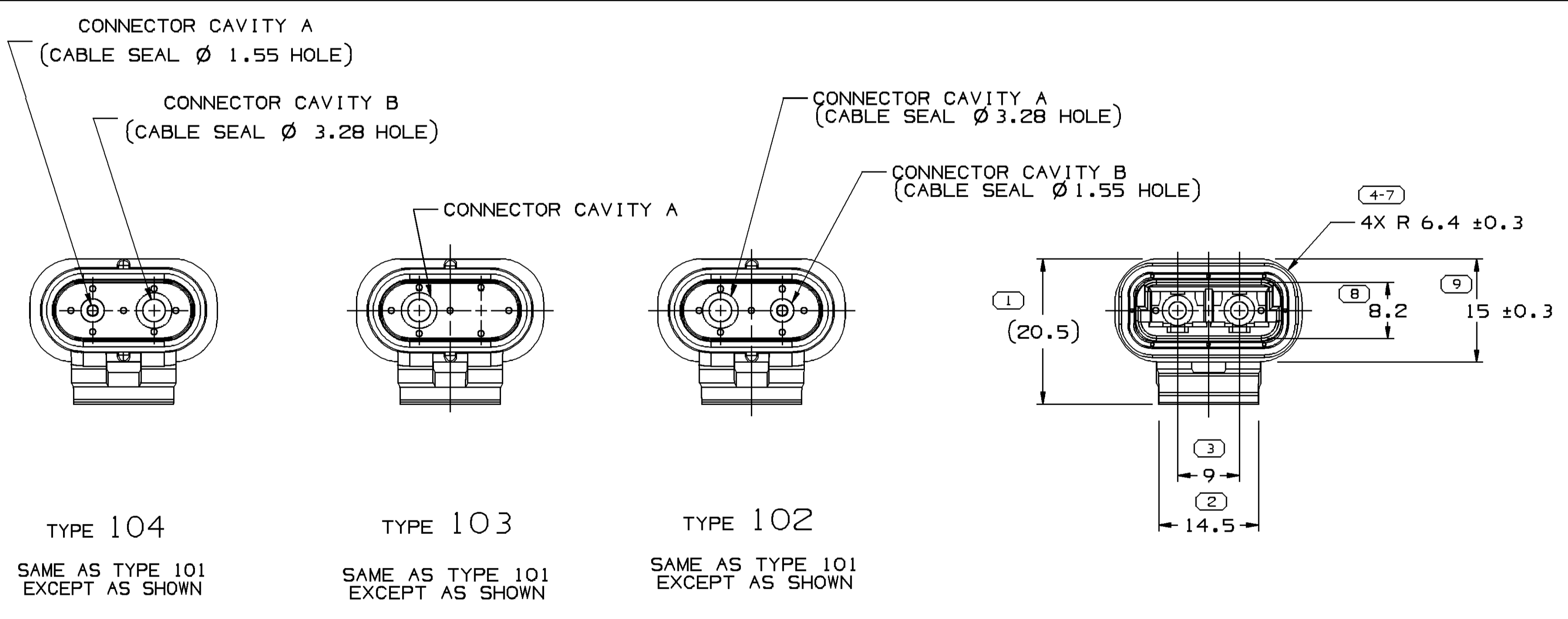


SYMBOL DEFINITION		MISSING NUMBERS	
THE NUMBER INSIDE THE SYMBOL	TOTAL NO. OF SYMBOLS ON DRAWING	15	
CORRESPONDS TO THE NUMBER ON THE INSPECTION REPORT FOR THIS DRAWING/PART NUMBER	LAST NO. USED	18	

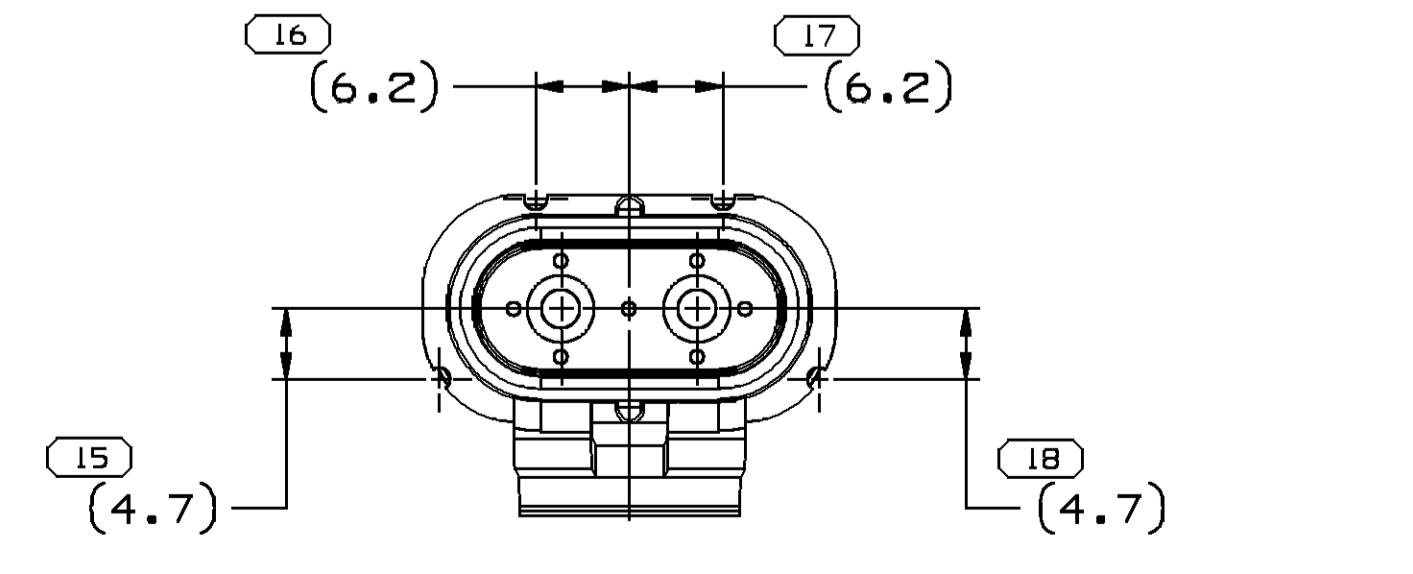
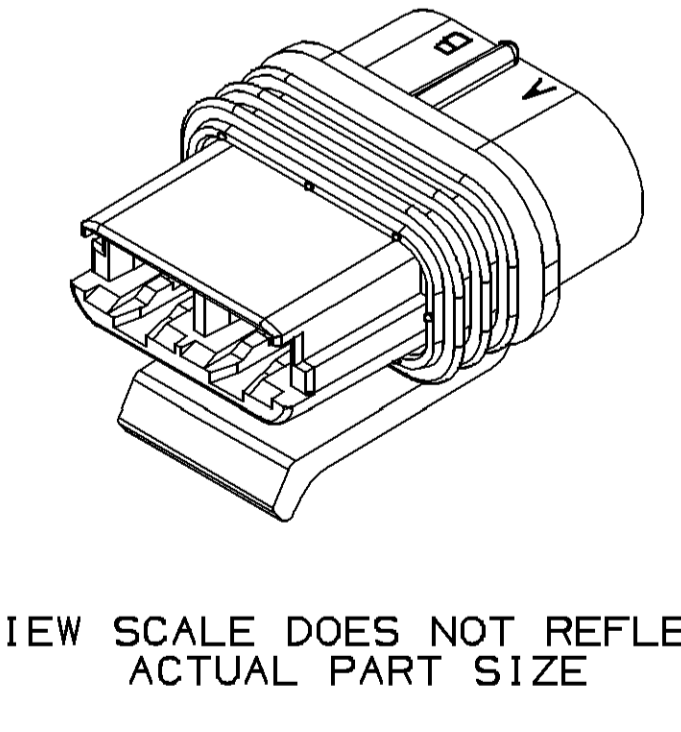
DWS STATUS					REVISION HISTORY					AUTH		DR		APVD/APV			
DATE	STG	REV	N/P	CHG	ZONE	DATE	STG	REV	N/P	CHG	ZONE	DATE	STG	REV	N/P	CHG	ZONE
20AUG02	R	03	-	-								220348	JAA	JAA	JRH		
21JUL11	R	04	-	-								414911	MRC	JAA	SJS		
03JAN14	R	05	-	-								424986	JVR	JVM	KRM		



- NOTES
- UNLESS OTHERWISE SPECIFIED AND/OR INDICATED: DIMENSIONS ARE TO FACE OF VIEW SHOWN AND AUTOMATICALLY ROUNDED BY COMPUTER FOR INSPECTION. (SEE MATH MODEL FOR PRECISE DIMENSIONS.) FOR ALL OTHER DIMENSIONS NOT SHOWN BUT REQUIRED FOR TOOL BUILD, SEE MATH MODEL FOR PRECISE TOOL PATH DATA. ALL RADII 0.4 DRAFT IS 0° 30' ON ALL OUTSIDE SURFACES.
 - SHROUD MATERIAL NYLON 66 OR EQUIVALENT.



- NOTES
- UNLESS OTHERWISE SPECIFIED AND/OR INDICATED: DIMENSIONS ARE TO FACE OF VIEW SHOWN AND AUTOMATICALLY ROUNDED BY COMPUTER FOR INSPECTION. (SEE MATH MODEL FOR PRECISE DIMENSIONS.) FOR ALL OTHER DIMENSIONS NOT SHOWN BUT REQUIRED FOR TOOL BUILD, SEE MATH MODEL FOR PRECISE TOOL PATH DATA.
 - THIS PART IS NOT CONTROLLED FOR AUTOMATIC FEEDING.
 - FOR LEAD LENGTH CALCULATIONS, DISTANCE FROM MATING END OF CONNECTOR TO FRONT OF CABLE CORE IS 13.35±1.7
 - WHEN PARTS ARE SHIPPED, THEY MUST BE PACKED IN PLASTIC BAGS OR SHIPPING CONTAINERS LINED WITH PLASTIC LINERS. BAGS OR LINERS MUST BE SEALED TO AVOID ENTRY OF FOREIGN MATTER.
 - SEALING CODE 3 - DESIGN WILL PASS SALT FOG AND IMMERSION TEST AFTER CONDITIONING AS SPECIFIED IN ESA-644 (WEATHER-PACK), ESA-710 (METRI-PACK), ESA-650 (UNDERHOOD MICRO-PACK), C-4006 (WORLD CONNECTOR), ETC. - WHEN MATED TO MATING PART OR EQUIVALENT
 - FOR APPLICATION DATA SEE THE INDIVIDUAL APPLICATION DRAWINGS.
 - THIS PRODUCT IS NOT CATEGORIZED AS AN APPEARANCE ITEM, MINOR IMPERFECTIONS INCLUDING, BUT NOT LIMITED TO, FLOW MARKS, COLOR BLEMISHES, GATE VESTIGES, AND SOFT FLASH THAT DO NOT AFFECT THE FIT, FORM, OR FUNCTION OF THE PART ARE PERMISSIBLE PER DPNP-4.7-CS-01.
 - S-60-T LUBEWELL LUBRICANT CAN BE USED AS AN AUXILIARY SUPPORT ON THE CABLE INSTALLATION PROCESS.



PART NO	REV	N/P	TYPE	CONN BODY	CONN SEAL	CABLE SEAL
13897549	01	AA	104	12020341	12077383	12092676 (BLU)
15404837	01	AC	101	12089269	12077383	12040972 (GREEN)
12103658	A4	-	103	12020341	12077383	12103586 (GRA LT)
12103172	A4	-	101	12103171	12077383	12040972 (GRN)
12092677	A4	-	102	12020341	12077383	12092676 (BLU)
12092449	A4	-	101	12089269	12077383	12066680 (GRA LT)
12085030	A4	-	101	12020341	12077383	12085024 (GRN LT)
12066681	A4	-	101	12020341	12077383	12066680 (GRA LT)
12033769	E4	-	101	12020341	12077383	12040972 (GRN)

DIMENSIONAL RANGE (MM)	TOLERANCE	CHART REF
FROM > 0	> 20	> 30
TO	20	30
	30	40
	40	50
	50	60
	60	70
	70	80
	80	90
	90	100
	100	150
	150	200
	200	250
	250	300
	300	400

DELPHI CORPORATION
 DELPHI CORPORATION
 300 N. ZEEB RD
 WARREN, MI 48090
 COPYRIGHT 1987 DELPHI CORPORATION AND/OR ITS AFFILIATES. ALL RIGHTS RESERVED.
 THIS DRAWING IS THE PROPERTY OF DELPHI CORPORATION AND CONTAINS DELPHI CONFIDENTIAL INFORMATION. THE REPRODUCTION, DISTRIBUTION AND UTILIZATION OF THIS DOCUMENT OR ITS CONTENTS OR ANY DATA THEREIN WITHOUT EXPRESS AUTHORIZATION IS PROHIBITED.

DATE: 22 JUN 87
 DR: ROGER SHAUB
 APV01: D. RAMJANO
 APV02: R. NAGEL
 APV03: A. WINYARD
 APV04:

DRAWING NAME: TAXI ASM CONN F M/P 630 SLD
 DRAWING NUMBER: 12066697
 SIZE: A0
 SCALE: 2:1
 FRAME NO: 1 OF 1
 SHEET NO: 1 OF 1
 STG: R
 REV: 05