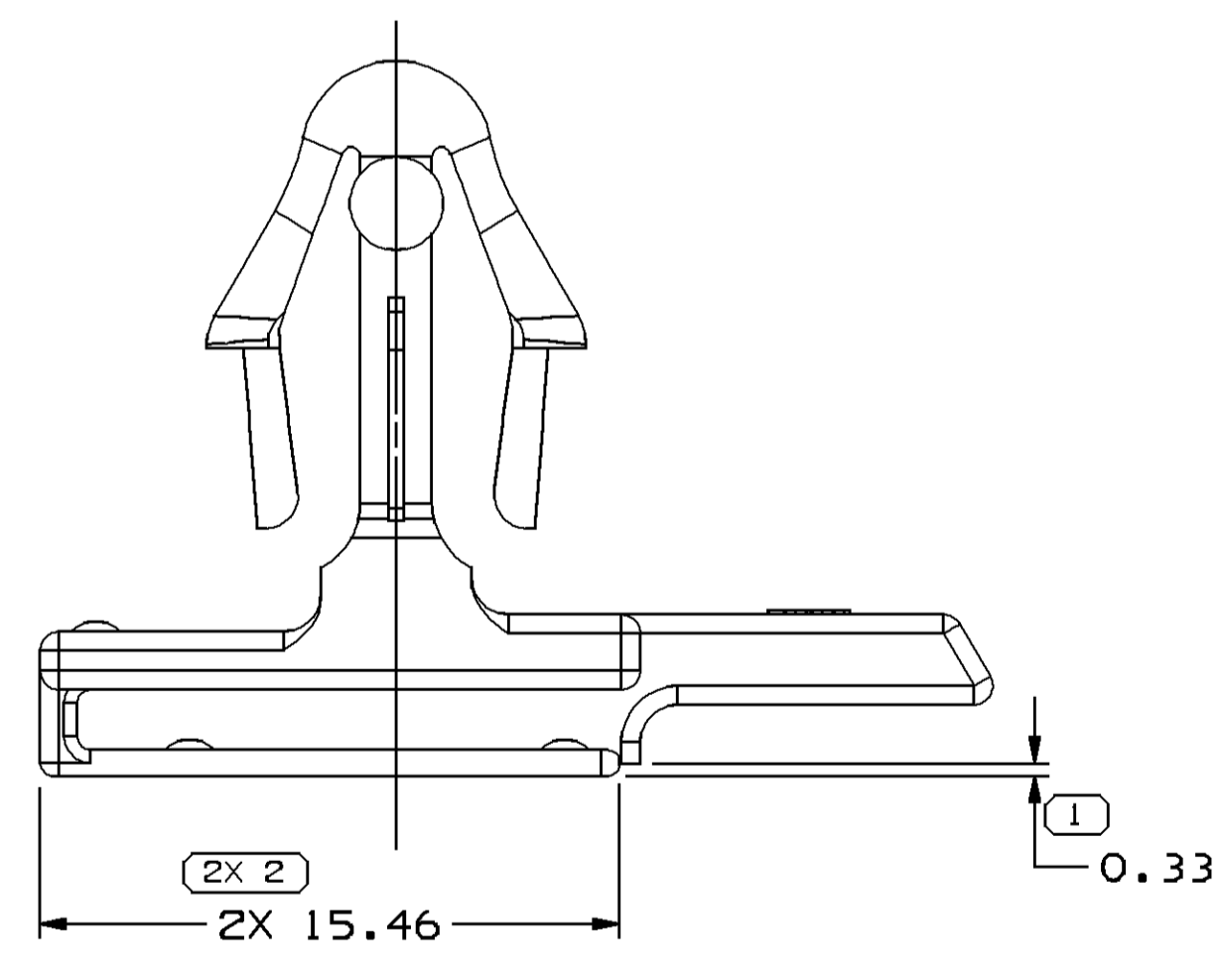
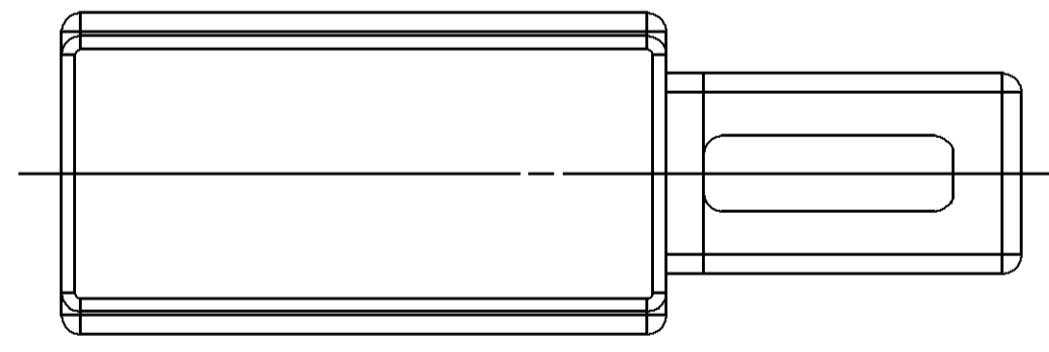
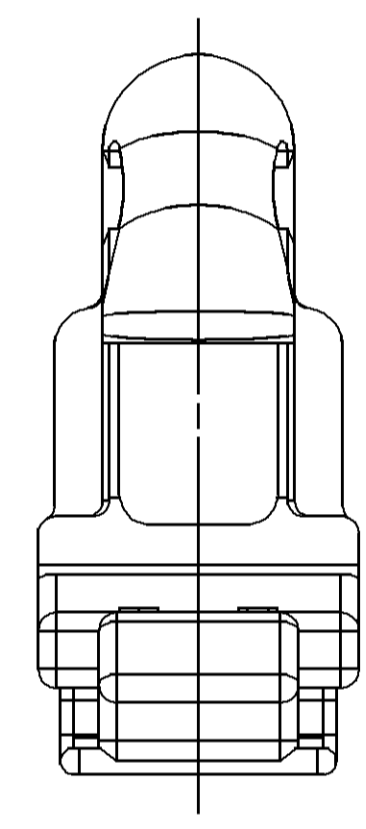
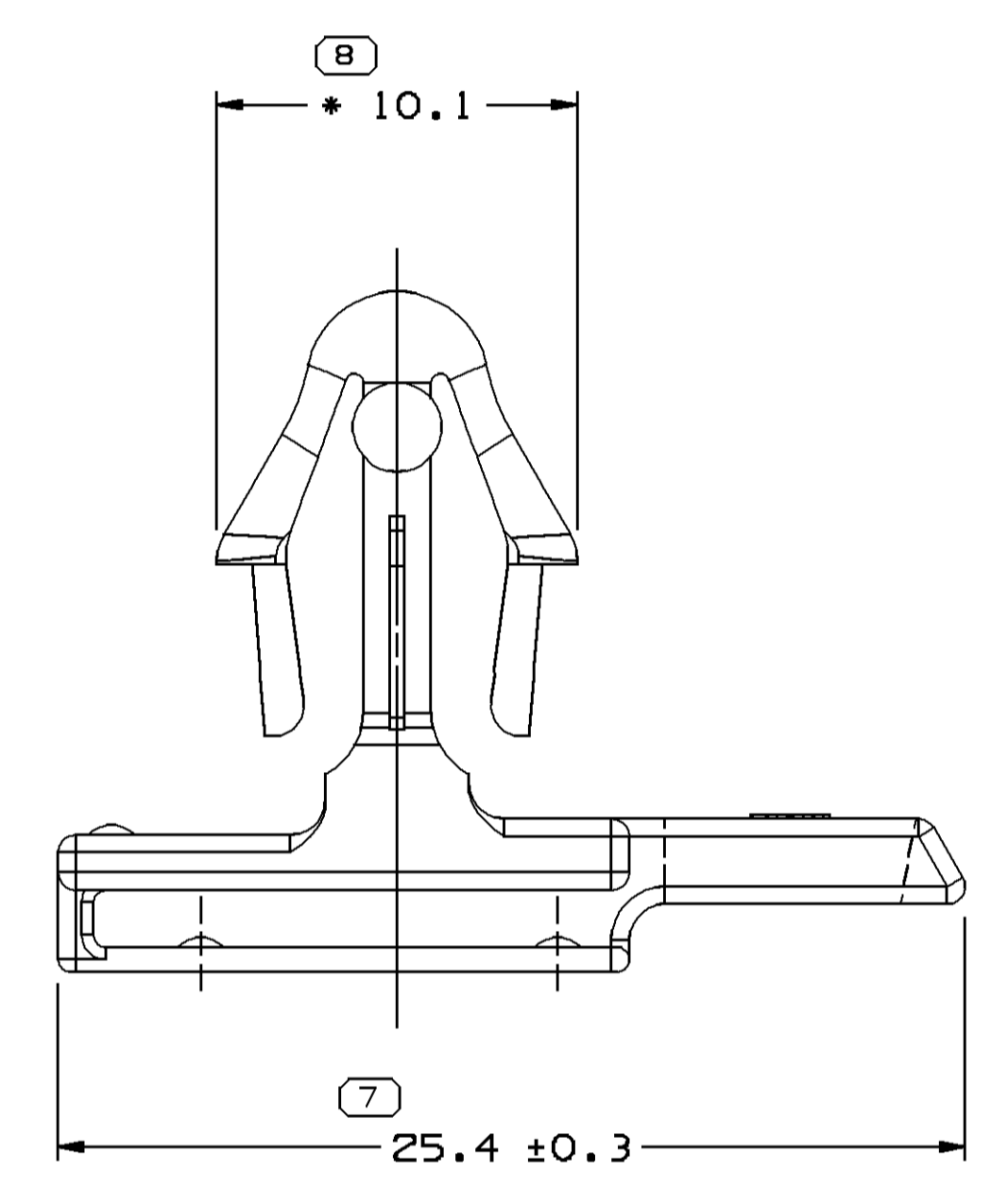
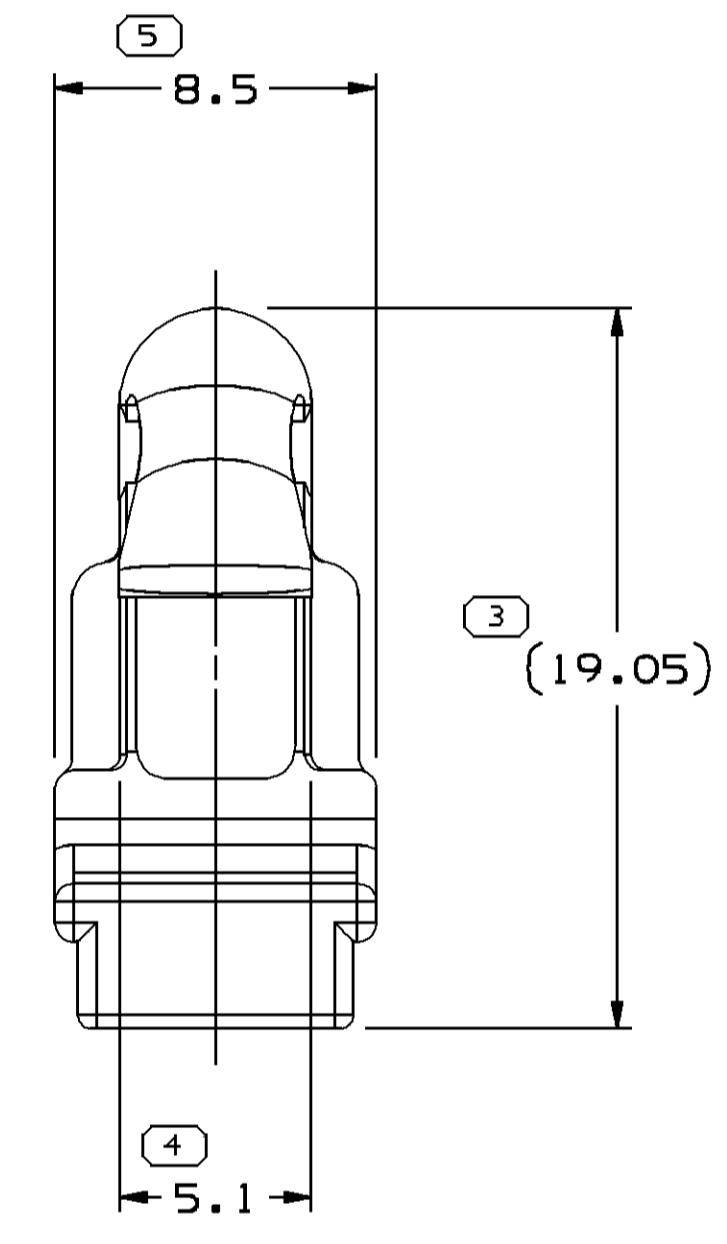
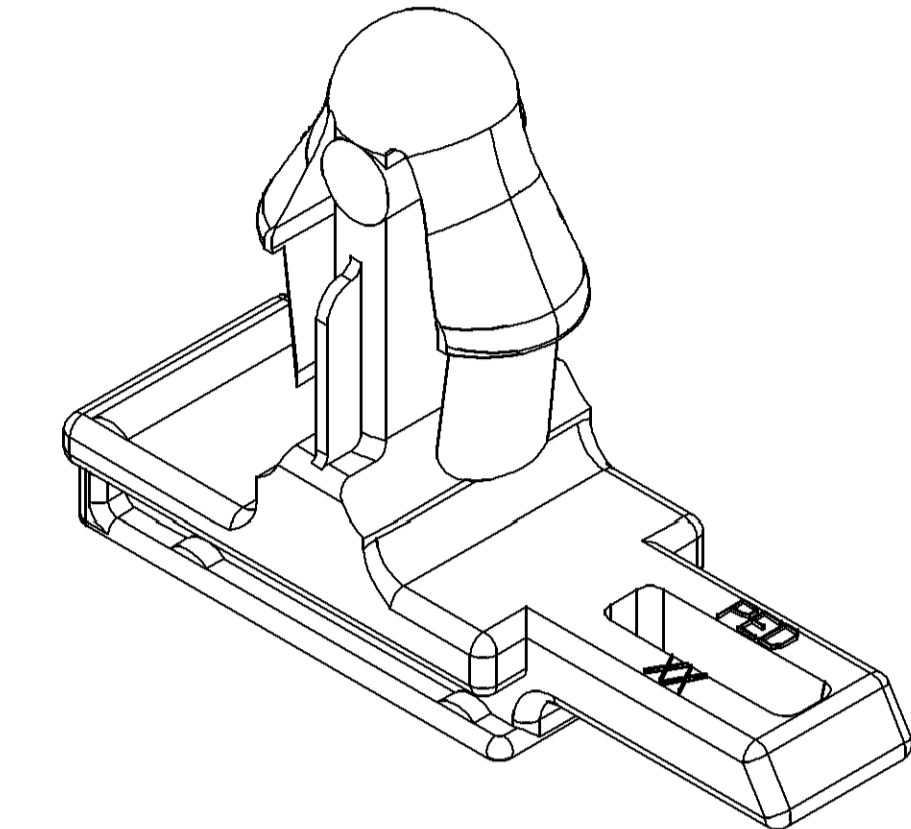
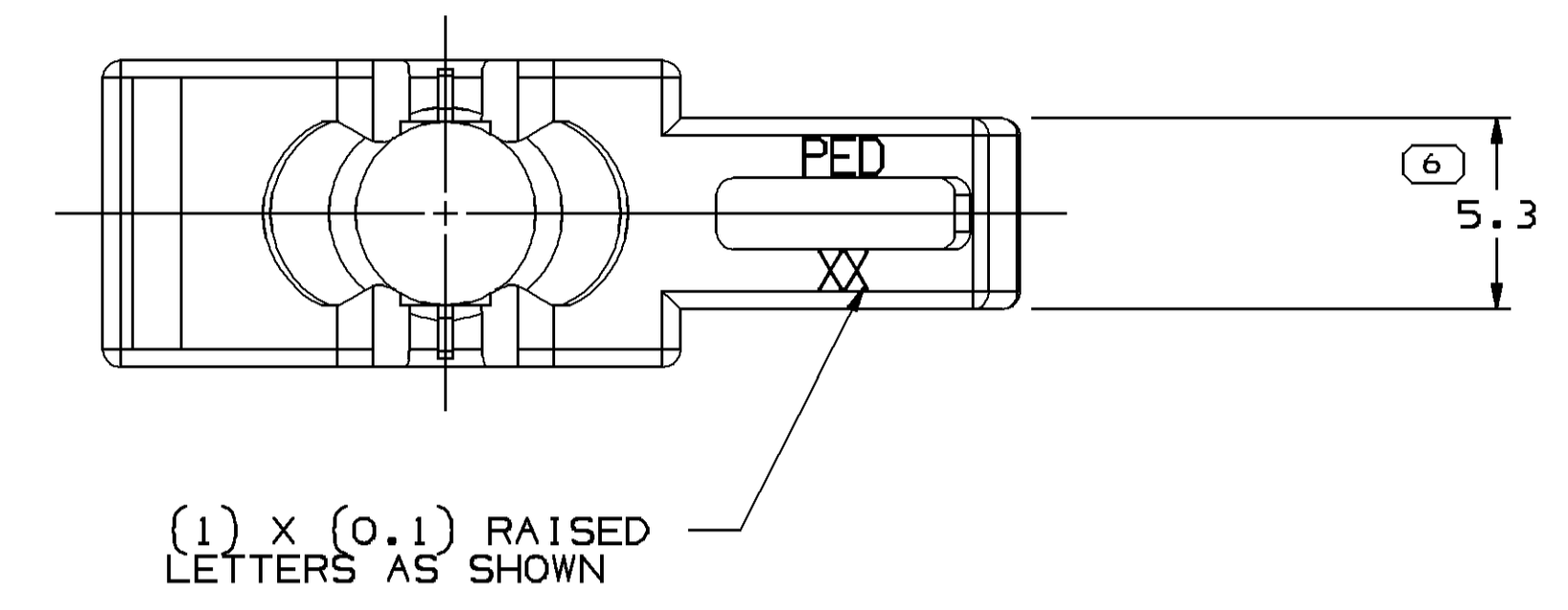
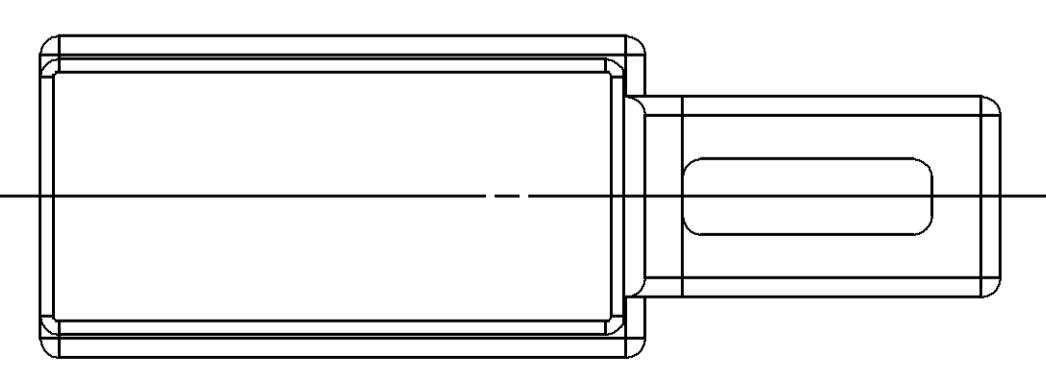


SYMBOL DEFINITION		MISSING SYMBOLS	
A DIMENSION WITHOUT AN INSPECTION REPORT SYMBOL DOES NOT REQUIRE INSPECTION. IT MAY BE CONTROLLED ON THE INDIVIDUAL COMPONENT DRAWING.	TOTAL NO OF INSPECTIONS REQUIRED	9	NO MISSING SYMBOL NUMBER
	LAST NO. USED	8	

DWG STATUS				REVISION HISTORY		AUTH		DR		AP/VD	
DATE	STG	REV	N/P	CHG	ZONE						
31JAO0	R	001	-	-		CLEARED REV COLUMN: ALL PARTS - REDRAWN TO PD		000009	JHN	061	ET
19FE09	R	02	-	-		12110290 - UPDATED MAT'L CALLOUT		407226	FRE	DGL	LHD



OPTIONAL CONSTRUCTION



NOTES

- UNLESS OTHERWISE SPECIFIED AND/OR INDICATED: DIMENSIONS ARE TO FACE OF VIEW SHOWN AND AUTOMATICALLY ROUNDED BY COMPUTER FOR INSPECTION (SEE MATH MODEL FOR PRECISE DIMENSIONS). FOR ALL OTHER DIMENSIONS NOT SHOWN BUT REQUIRED FOR TOOL BUILD, SEE MATH MODEL FOR PRECISE TOOL PATH DATA.
- MATERIAL RECYCLING CODE PER ISO 11469. (1)X(0.1) CHARACTERS AS SHOWN TO BE LOCATED ON ANY EXTERIOR SURFACE. OPTIONAL CONSTRUCTION TO BE NO MATERIAL RECYCLING CODE.
- THIS PRODUCT IS NOT CATEGORIZED AS AN APPEARANCE ITEM, MINOR IMPERFECTIONS INCLUDING, BUT NOT LIMITED TO, FLOW MARKS, COLOR BLEMISHES, GATE VESTIGE, AND SOFT FLASH THAT DO NOT AFFECT THE FIT, FORM, OR FUNCTION OF THE PART ARE PERMISSIBLE PER NAP 4.10-18.
- THIS PART IS NOT CONTROLLED FOR AUTOMATIC FEEDING.
- THIS PART ACCEPTS THE FOLLOWING COMPONENTS OR EQUIVALENT:
CONNECTOR 12084164
- RECOMMENDED HOLE SIZE 6 TO 6.6 DIA HOLE IN 3.8 MAX THICK STOCK.
- DIMENSIONS MARKED WITH (*) MAY VARY -0.6 DUE TO BOW.
- (1)X(0.1) DELPHI CORPORATE BRAND TO BE LOCATED ON ANY EXTERIOR SURFACE, PREFERABLY VISIBLE AT FINAL ASSEMBLY. OPTIONAL CONSTRUCTION FOR EXISTING TOOLING MAY BE "PED" OR NO LOGO.

PART NO	REV	N/P	STATUS	MATERIAL SPECIFICATION AND COLOR	VOLUME
12110290	G5	-		POLYAMIDE COMPOUND GRAY	0.83
12084149	G4	-		POLYPROPYLENE COMPOUND BLACK	0.83

DIMENSIONAL RANGE (MM)		SHORT ET	
FROM	TO		
> 0	> 30	> 100	> 200
> 30	> 70	> 150	> 300
> 70	> 100	> 200	> 400
TOLERANCE UNLESS OTHERWISE SPECIFIED		ANGULAR TOLERANCE 2°	
±0.15	±0.2	±0.3	±0.4
±0.5	±0.6	±0.8	±1.2

Dwg TYPE		PART DRAWING	
STYLE		DISTR CODE	D
VOLUME (C/P)	SEE CHART		
UNLESS OTHERWISE SPECIFIED			
THIS DOCUMENT IS IN ACCORDANCE WITH ASME Y14.5M-1994 AS MODIFIED BY THE IN-SITU DIMENSIONING AND TOLERANCING ADDENDUM-2001. SEPARATE WRITINGS OF FEATURES MAY BE BASED SEPARATELY PERMISSIBLE OF DIMENSION REFERENCES.			
ALL DIMENSIONS ARE IN MILLIMETERS			
REFERENCE	001,701		
THIRD ANGLE PROJECTION	DO NOT SCALE		
USE MATH DATA	NX		

DELPHI
DELPHI PACKARD ELECTRICAL/ELECTRONIC ARCHITECTURE
NAPER, OH

DR	DATE
APV01 JOSE HDEZ. NOVOA	31JAO0
APV02 G. G. IZQUIERDO	01FE00
APV03 G. G. IZQUIERDO	01FE00
APV04	
APV05	

SUBSTANCES OF CONCERN AND RECYCLED CONTENT PER DELPHI 10949001

MATERIAL SEE CHART

DRAWING NAME
TAXI MOUN ATTCH CLIP ROSEBUD

DRAWING NUMBER
12110298

SIZE A0 SCALE 5:1 FRAME NO 1 OF 1 SHEET NO 1 OF 1 REV N/P R 02 -