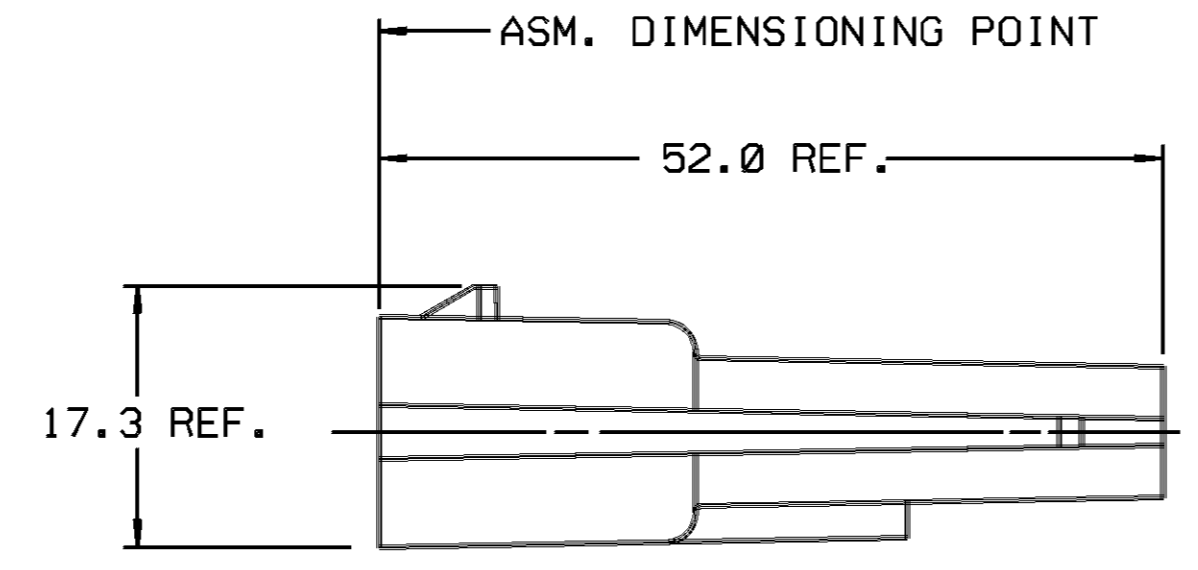
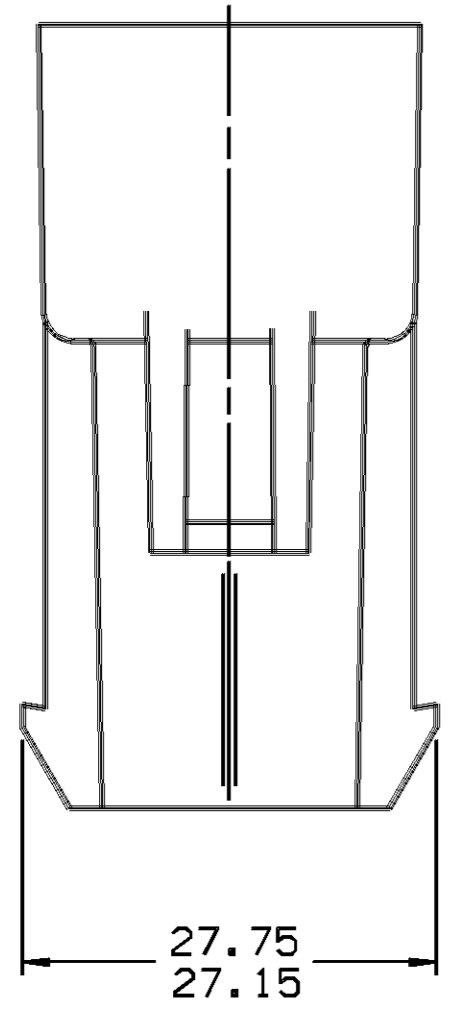
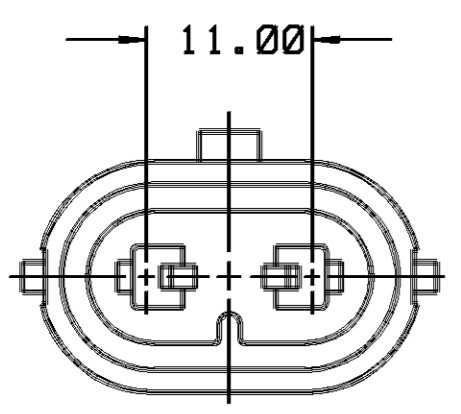
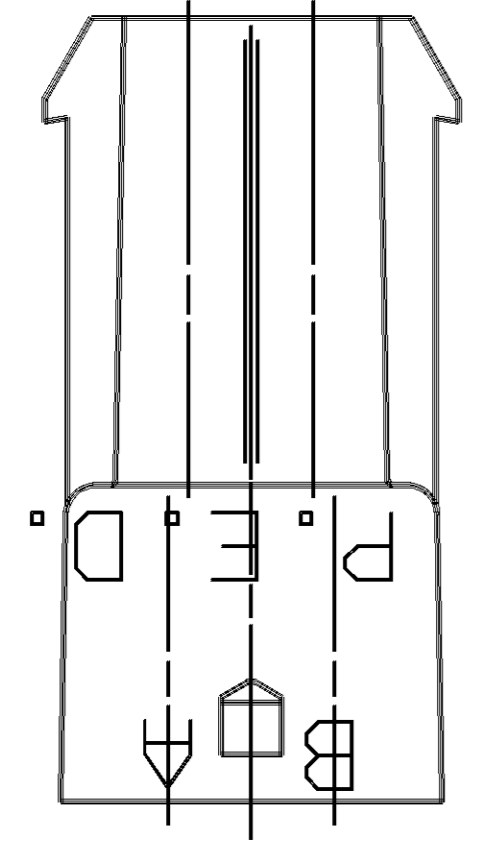


PACKARD ELECTRIC DIVISION  
GENERAL MOTORS CORPORATION  
WARREN, OHIO

D

THIS DRAWING AND DESIGN HEREON CONSTITUTES A PROPRIETARY DESIGN OF PACKARD ELECTRIC DIVISION AND IS NOT TO BE DUPLICATED OR REPRODUCED WITHOUT AUTHORITY OF PACKARD ELECTRIC DIVISION.

DO NOT SCALE



- NOTES—
1. CAVITIES TO ACCEPT 12040559 TERMINAL, OR EQUIVALENT.
  2. CONNECTOR TO ACCEPT 12015323 CABLE SEAL, OR EQUIVALENT.
  3. CONNECTOR TO ACCEPT 12059185 SECONDARY TERMINAL LOCK, OR EQUIVALENT.

DATE	SYM	REVISION RECORD	AUTHORITY	DR	CK
09N087	B	WAS PE012500 AND RELEASED	870005		

PART NO. 1208 4166

PED / MICROSTATION		FILE SPEC: ***USER*** DGN SPECIFICATION ***** **SYTIME*****
THIRD ANGLE PROJECTION		METRIC DIMENSIONS ARE IN MILLIMETERS UNLESS OTHERWISE SPECIFIED.
CODE NO. 6901	TOLERANCE UNLESS OTHERWISE SPECIFIED DECIMAL: ONE PLACE ± 0.3 ANGULAR ± 2 TWO PLACE ± 0.15	
DWG. DATE 09N087	SCALE NONE	DR. 09N087
EST. NO.	CK.	DATE
REFERENCE NO. 12084182 "E" SIZE	APPR.	DATE
MATERIAL SPEC. NYLON 66 - MED. GRAY	NAME CONN 2M M/P 280	
PART NO. 1208 4166	SIZE C	