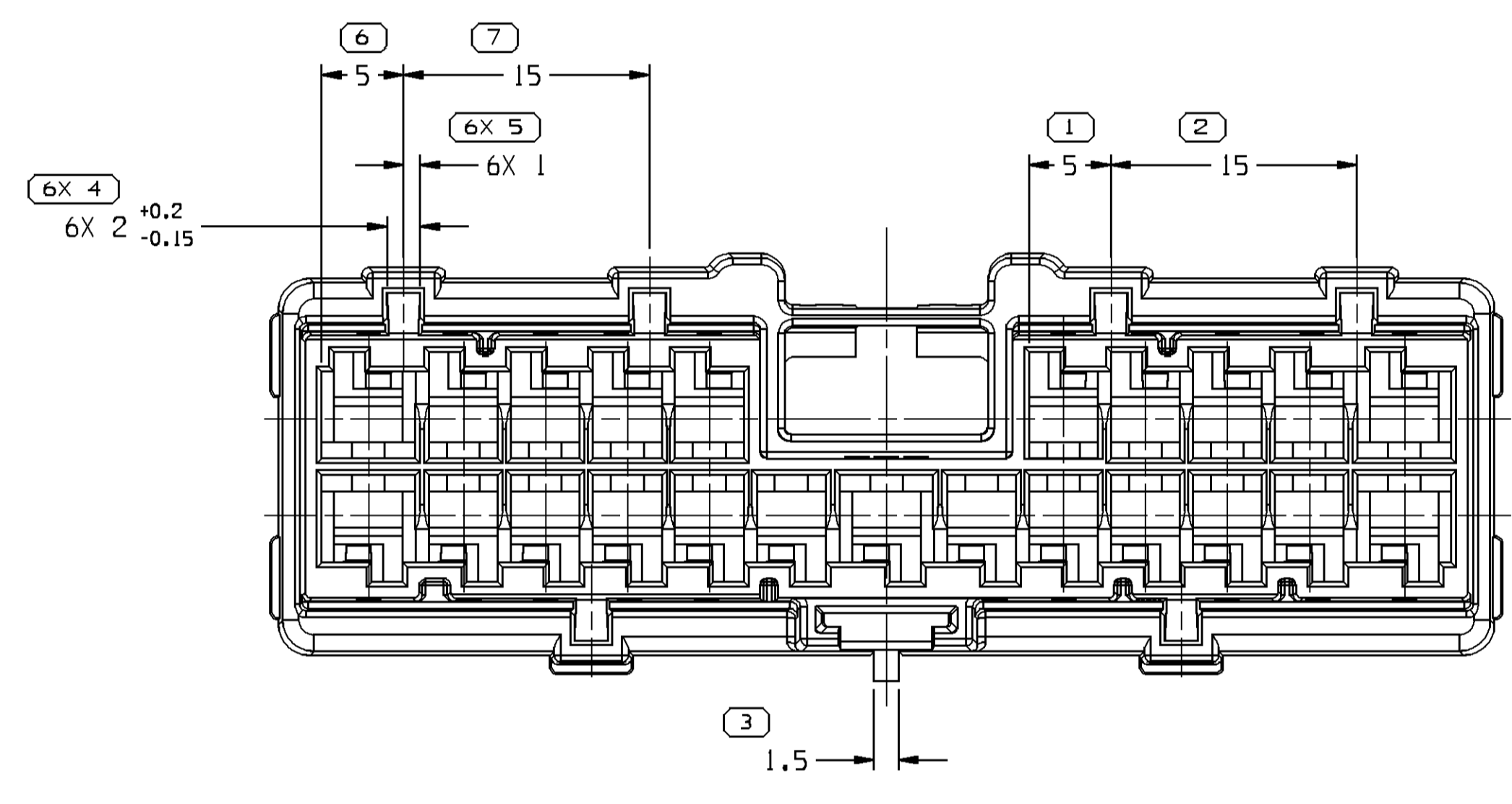
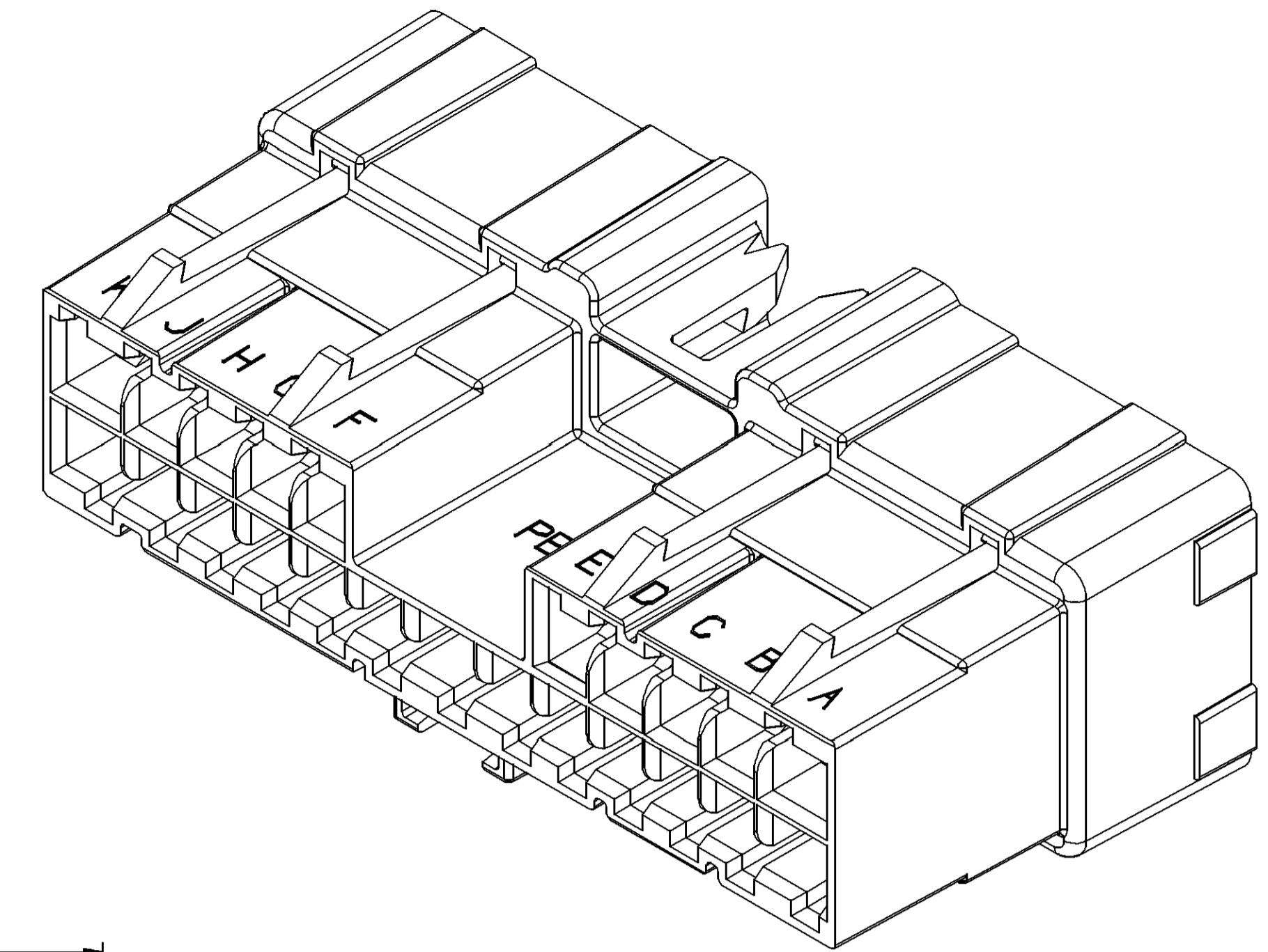
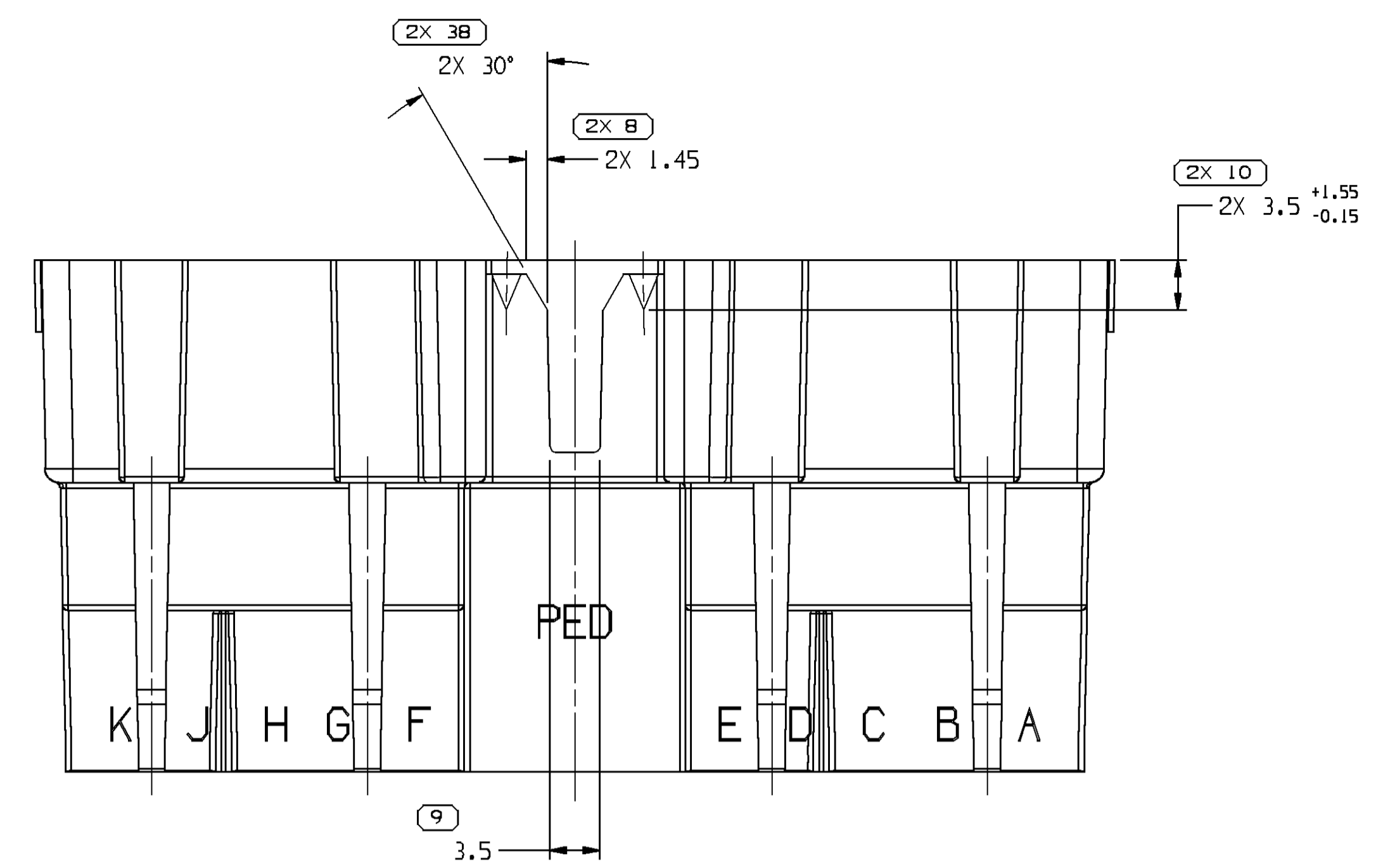
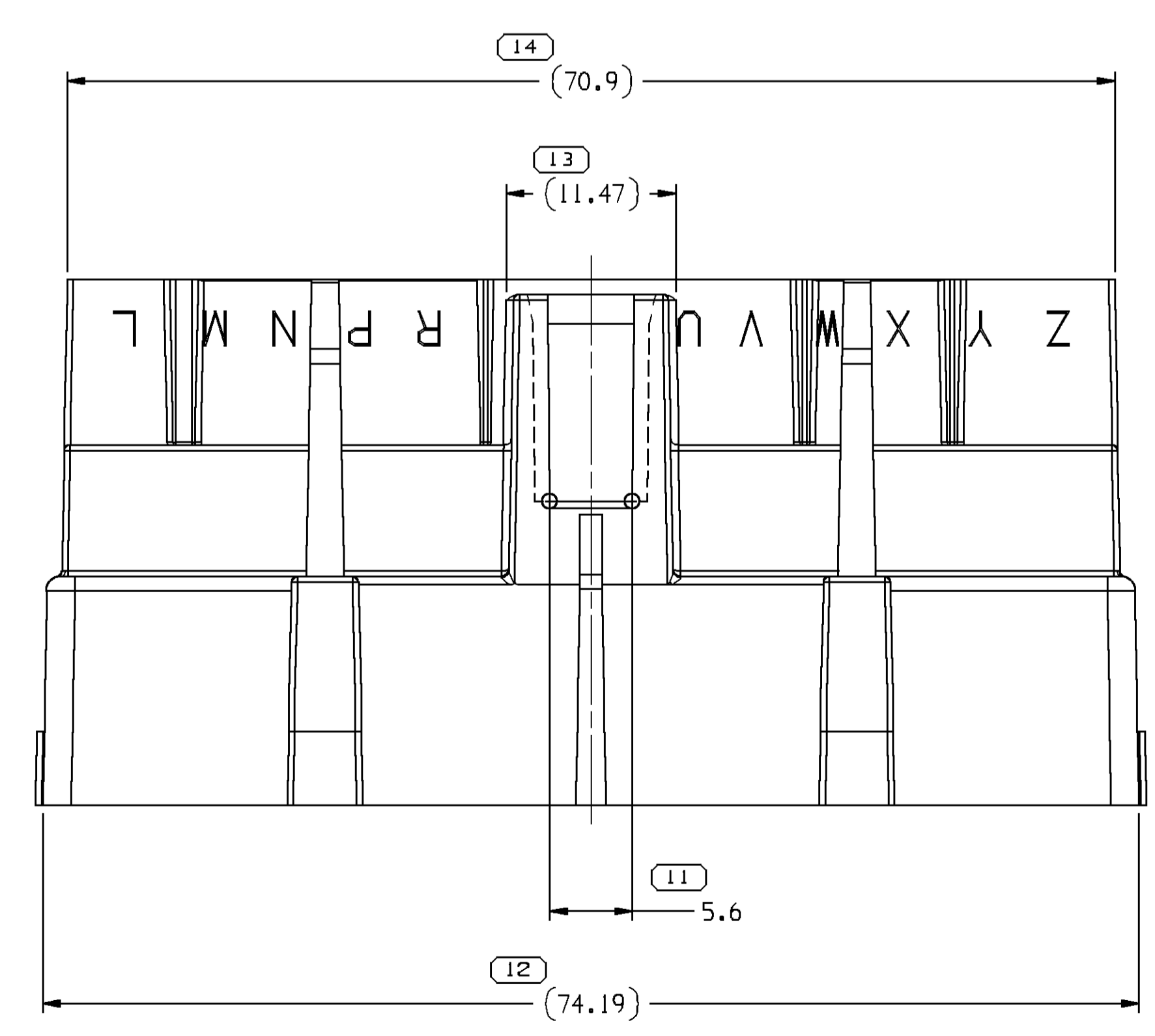
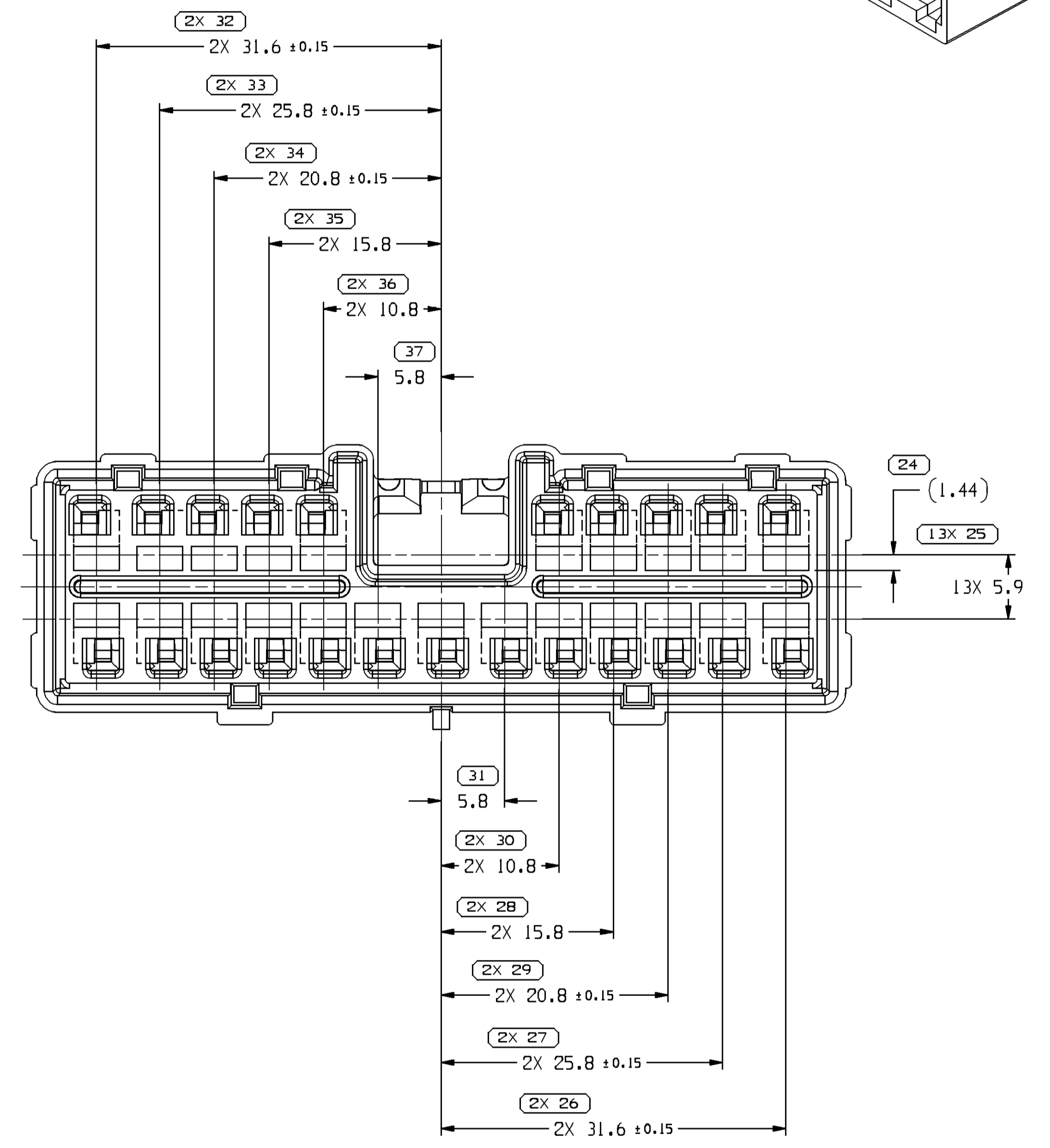
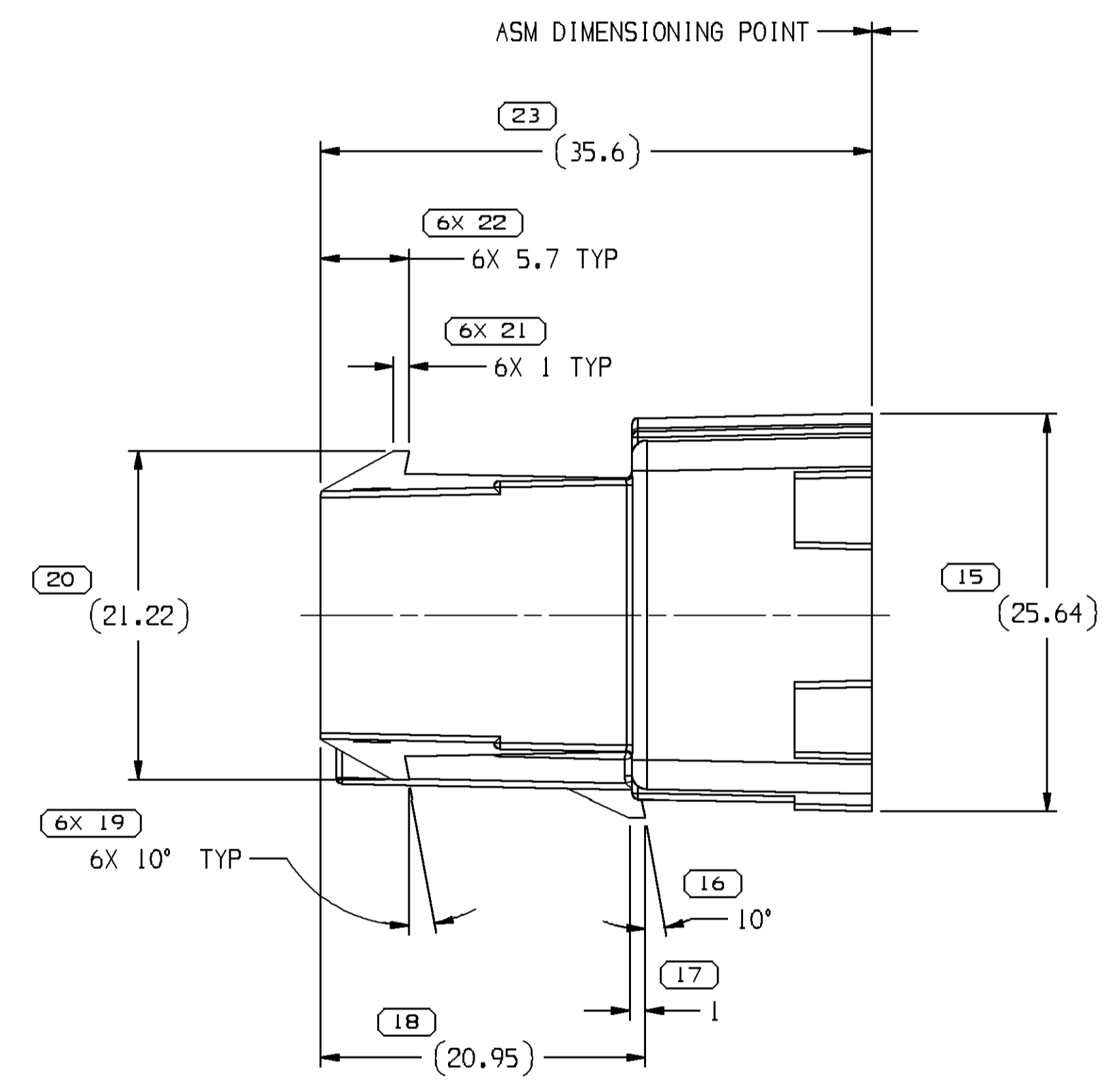


| SYMBOL DEFINITION | | TOTAL NO OF INSPECTIONS REQUIRED | MISSING SYMBOLS |
|--|--|----------------------------------|--------------------------|
| A DIMENSION WITHOUT AN INSPECTION REPORT SYMBOL DOES NOT REQUIRE INSPECTION. IT MAY BE CONTROLLED ON THE INDIVIDUAL COMPONENT DRAWING. | | 88 | NO MISSING SYMBOL NUMBER |
| | | LAST NO. USED | 38 |

| DWG STATUS | | ZONE | | REVISION HISTORY | | AUTH | DR | APVD | APVD |
|------------|-----|------|-----|------------------|-------------------------------------|--------|-----|------|------|
| DATE | STG | REV | W/P | CHG | | | | | |
| 07AU98 | R | F11 | - | - | REDRAWN | 980009 | PHC | RPC | |
| 06AP18 | R | F12 | - | - | UPDATED DRAWING TO LATEST STANDARDS | 439471 | GDH | JAA | JIE |



TYPE 101



NOTES

- UNLESS OTHERWISE SPECIFIED AND/OR INDICATED: DIMENSIONS ARE TO FACE OF VIEW SHOWN AND AUTOMATICALLY ROUNDED BY COMPUTER FOR INSPECTION. (SEE MATH MODEL FOR PRECISE DIMENSIONS.) FOR ALL OTHER DIMENSIONS NOT SHOWN BUT REQUIRED FOR TOOL BUILD, SEE MATH MODEL FOR PRECISE TOOL PATH DATA.
- SEALING CODE 0 - UNSEALED
- THIS PRODUCT IS NOT CATEGORIZED AS AN APPEARANCE ITEM, MINOR IMPERFECTIONS INCLUDING, BUT NOT LIMITED TO, FLOW MARKS, COLOR BLEMISHES, GATE VESTIGE, AND SOFT FLASH THAT DO NOT AFFECT THE FIT, FORM, OR FUNCTION OF THE PART ARE PERMISSIBLE PER EANP_4-3_CS_01_EN.
- (2.5)(10.1) DELPHI CORPORATE BRAND TO BE LOCATED ON ANY EXTERIOR SURFACE, PREFERABLY VISIBLE AT FINAL ASSEMBLY. OPTIONAL CONSTRUCTION FOR EXISTING TOOLING MAY BE "PED".
- FOR APPLICATION DATA SEE THE INDIVIDUAL APPLICATION DRAWINGS.

| DIMENSIONAL RANGE (MM) | CHART E1 |
|------------------------|----------|
| FROM > 0 | > 20 |
| > 20 | > 30 |
| > 30 | > 40 |
| > 40 | > 50 |
| > 50 | > 60 |
| > 60 | > 70 |
| > 70 | > 80 |
| > 80 | > 90 |
| > 90 | > 100 |
| > 100 | > 150 |
| > 150 | > 200 |
| > 200 | > 250 |
| > 250 | > 300 |
| > 300 | > 400 |

A LINE DRAWN THROUGH A PART NUMBER INDICATES THAT PHYSICAL PARTS ARE NOT AVAILABLE FOR ORDERING.
 PART NUMBERS THAT DO NOT HAVE A LINE PRESENT INDICATE THAT PHYSICAL PARTS ARE AVAILABLE FOR ORDERING.
 CONTACT DELPHI SALES TO ASSURE AVAILABILITY OF PARTS.
 THIS DOCUMENT IS IN ACCORDANCE WITH ASME Y14.5M-1994 AS MODIFIED BY THE 3D MODEL DIMENSIONING AND TOLERANCING ADDENDUM-2001. SEPARATE PATTERNS OF FEATURES MAY BE SHOWN SEPARATELY. RESPONSIBILITY OF DATUM REFERENCES.

UNLESS OTHERWISE SPECIFIED
 ALL DIMENSIONS ARE IN MILLIMETERS

REFERENCE:

THIRD ANGLE PROJECTION

DO NOT SCALE
 USE MATH DATA

(1) PROCESS SENSITIVE DIMENSION
 DIMENSIONS ENCLOSED IN () INDICATE REFERENCE DIMENSIONS AND NO TOLERANCE LIMITS ARE ESTABLISHED

DELPHI
 DELPHI PACKARD ELECTRICAL/ELECTRONIC ARCHITECTURE
 WARREN, OH
 COPYRIGHT 1989 DELPHI CORPORATION AND/OR ITS AFFILIATES. ALL RIGHTS RESERVED.
 THIS DRAWING IS THE PROPERTY OF DELPHI CORPORATION AND CONTAINS DELPHI CONFIDENTIAL INFORMATION. THE REPRODUCTION, DISTRIBUTION AND UTILIZATION OF THIS DOCUMENT OR ITS RELATED CAD DATA, AS WELL AS COMMUNICATION OF ANY CONTENT TO OTHERS, WITHOUT EXPRESS AUTHORIZATION, IS PROHIBITED.

OR
 APVD1 DAVID SILVIO 24JAB9
 APVD2 C D HOOPES 07FEB9
 APVD3 R J BLASKO 08FEB9
 APVD4
 APVD5

SUBSTANCES OF CONCERN AND RECYCLED CONTENT PER DELPHI 1044901

MATERIAL: POLYPROPYLENE COMPOUND BLACK

DRAWING NUMBER
 CONN 23 M ACT 280

DRAWING NUMBER
12092248

SIZE A0 SCALE 3:1 FRAME NO 1 OF 1 SHEET NO 1 OF 1 STG REV W/P R F12 -