

[Find by Feature](#)
[Browse by Category](#)
[Share](#)
 [Search →](#)

Enter part number or keyword

[Search Results \(0\)](#)
[Search Options](#)

Select a product type to narrow your search:

Results with your selections: --



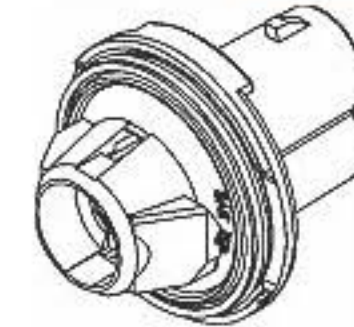




[Clear](#)
[Search →](#)

## 2 Way Light Gray Lamp Socket Wedge Sealed Female Connector Assembly

Part #12110053



Question about this product?

[Attributes](#)
[Documents \(5\)](#)
[Related Products \(14\)](#)

<b>Part #:</b>	12110053
<b>Description:</b>	2 Way Light Gray Lamp Socket Wedge Sealed Female Connector Assembly
<b>Product Type:</b>	Connector
<b>Status:</b>	Active
<b>Family:</b>	Lamp Socket
<b>Series:</b>	Wedge
<b>Cavities:</b>	2
<b>Sealed:</b>	Sealed
<b>Gender:</b>	Female
<b>Material:</b>	Nylon
<b>Weight [g]:</b>	5.7
<b>Color:</b>	Gray Light
<b>ELV compliant:</b>	Yes
<b>RoHs compliant:</b>	Yes
<b>Application:</b>	Lamp - Socket
<b>Remarks:</b>	please use p/n 15324946 in place of this socket. parts are identical except this part has additional trap dpes bulb protection. 12110053 will be obsolete eventually.