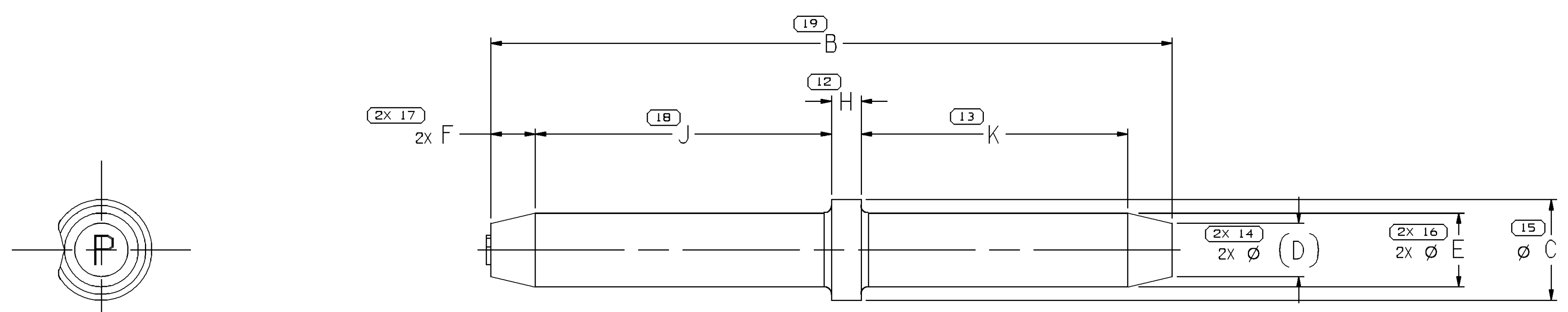
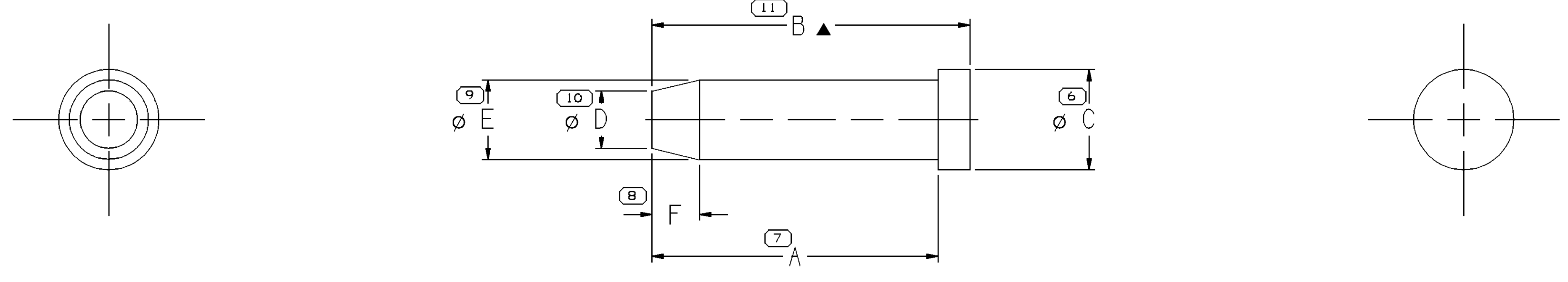
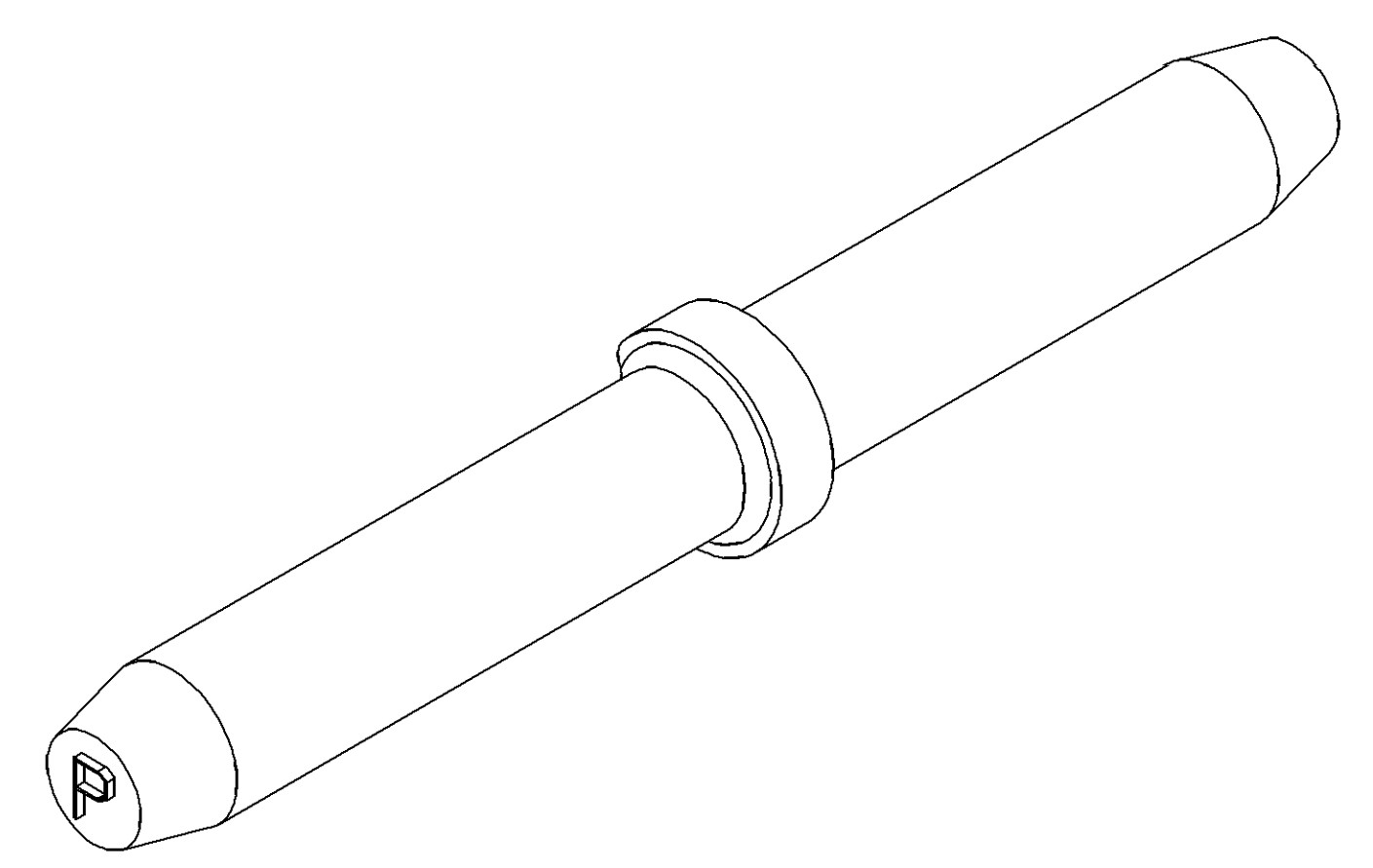


SYMBOL DEFINITION		TOTAL NO OF INSPECTIONS REQUIRED		MISSING SYMBOLS	
A DIMENSION WITHOUT AN INSPECTION REPORT SYMBOL DOES NOT REQUIRE INSPECTION. IT MAY BE CONTROLLED ON THE INDIVIDUAL COMPONENT DRAWING.		22		NO MISSING SYMBOL NUMBER	
		LAST NO. USED		19	

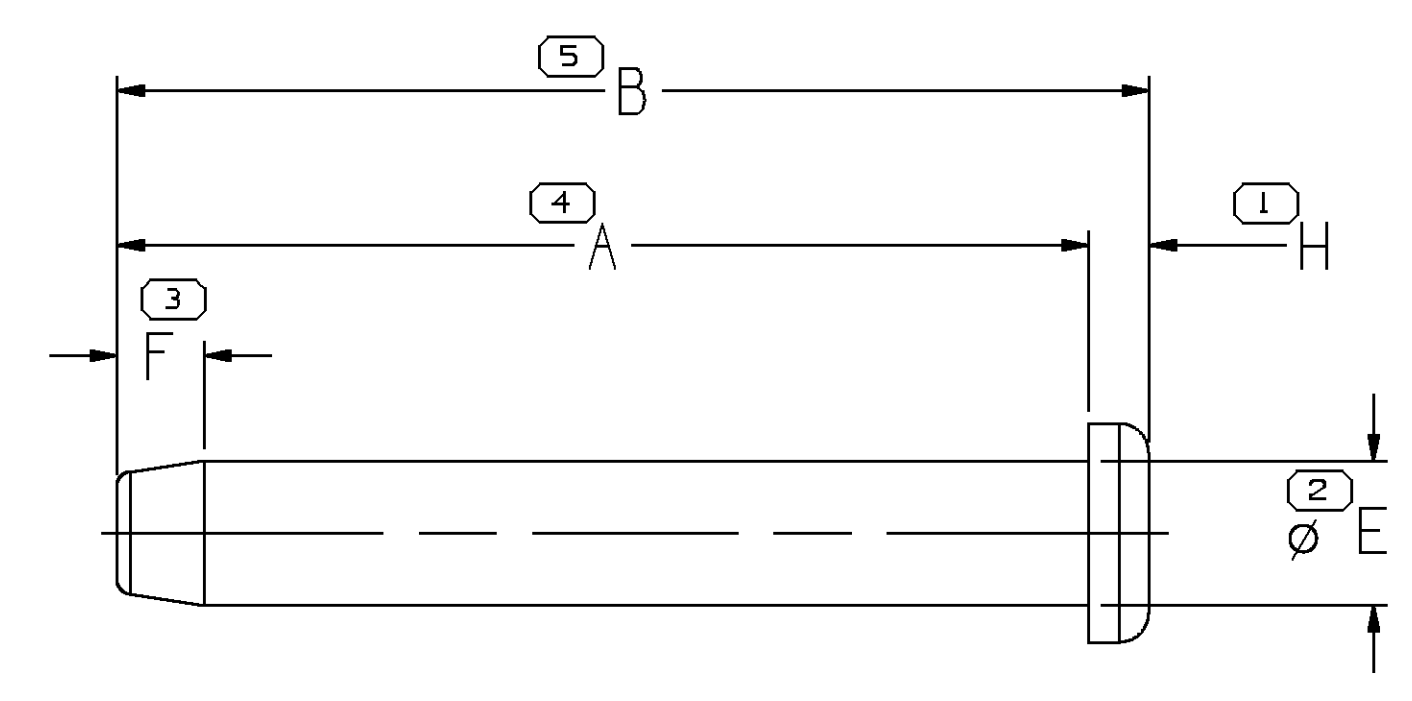
DWG STATUS						REVISION HISTORY			AUTH			
DATE	STG	REV	N/P	CHG	ZONE							
20A003	R	01	-	-		CREATED PD			244667	JGR	JGR	60
15FE05	R	02	-	-		ALL ACTIVE PARTS - ADDED NOTE #3 & DRAWING NAME			264188	NJM	NJM	ET
20JN05	R	03	-	-		ALL ACTIVE PARTS - UPDATED ECL			269035	RTV	JVM	BDG
26A005	R	04	-	-		12129557 - ADDED OPTIONAL CONSTRUCTION & 15318164 - WAS SEPARATE DWG			271214	JTZ	FRG	MB
30SE05	R	05	-	-		13544665 - RELEASED			273166	JS	JS	MR
27FE06	R	06	-	-		12065266 - CORRECTED DIM A LOCATION ON TYPE 102			277922	HCB	FRG	MR
08MY07	R	07	-	-		ALL ACTIVE PARTS - UPDATED PDM ATTRIBUTES			401296	MM	MM	SS
16JL08	R	08	-	-		12065266 & 15318164 - UPDATED MAT'L CALLOUT			405414	AEC	JCC	AEC
13AU08	R	09	-	-		13726494 - RELEASED			405712	JS	JS	GB
11JA18	R	10	-	-		15318164 - UPDATED PDM ATTRIBUTES			438638	GDH	JVM	CFH



TYPE 101  
ALL METRI-PACK PULL TO SEAT  
-HAND INSERTION ONLY-



TYPE 102  
ALL METRI-PACK PULL TO SEAT  
-MACHINE INSERTION ONLY-



TYPE 103  
ALL MICRO-PACK 100W  
-HAND INSERTION ONLY-

OPTIONAL CONSTRUCTION

- NOTES
- UNLESS OTHERWISE SPECIFIED AND/OR INDICATED:  
DIMENSIONS ARE TO FACE OF VIEW SHOWN AND AUTOMATICALLY ROUNDED BY COMPUTER FOR INSPECTION (SEE MATH MODEL FOR PRECISE DIMENSIONS). FOR ALL OTHER DIMENSIONS NOT SHOWN BUT REQUIRED FOR TOOL BUILD, SEE MATH MODEL FOR PRECISE TOOL PATH DATA.
  - THIS PART IS CONTROLLED FOR AUTOMATIC FEEDING AS DENOTED ON DRAWING WITH ▲.
  - REFERENCE MATING COMPONENTS OR EQUIVALENT: SEAL, SEE CHART.

PART NO	REV	N/P	MATERIAL SPECIFICATION AND COLOR	TYPE	A	B	Ø C	Ø (D)	Ø E ± 0.1	F	G <sub>MAX</sub>	H	J	K	MATING SEAL	CABLE RANGE	VOLUME
13726494	01	-	POLYAMIDE COMPOUND - YELLOW	103	12.85	13.65	2.9+/-0.1	-	1.9+/-0.15	1.15	9	0.8	-	-	12146093	1.47/2.12	0.040
13544665	01	AA	POLYBUTYLENE TEREPHTHALATE-BLU LT	103	12.85	13.65	2.9+/-0.1	-	1.9+/-0.15	1.15	9	0.8	-	-	12146093	1.47/2.12	0.040
15318164	A3	-	POLYAMIDE COMPOUND - BLUE	103	12.85	13.65	2.5+0.0/-0.1	-	1.9+/-0.1	1.15	9	0.8	-	-	15355191	1.47/1.83	-
12129557	DB	-	POLYAMIDE COMPOUND - BLUE	103	12.85	13.65	2.9+/-0.1	-	1.9+/-0.15	1.15	9	0.8	-	-	12146093	1.47/2.12	0.040
12146232	A	-	POLYAMIDE COMPOUND - RED	102	9	10	3.15▲	2.2	2.9	1.5+0.2/-0.15	1.5	-	-	12034364	2.5/3.3	-	
12065266	C11	-	POLYAMIDE COMPOUND - GRAY MD	102	9	10	3.15▲	1.8	2.5	1.5+/-0.3	1.5	-	-	12064810	2/2.4	0.050	
12034413	C10	-	POLYAMIDE COMPOUND - BLACK	101	-	23+/-0.3	3.4+/-0.2	1.8	2.5	1.5+/-0.3	1.25	1	10	9	12064810	2/4	0.113

DIMENSIONAL RANGE (MM)	CHART	ET
FROM > 0	> 20	> 30
TO > 20	> 30	> 70
	100	150
	200	250
	300	400

DELPHI  
DELPHI PACKARD ELECTRICAL/ELECTRONIC ARCHITECTURE  
WARREN, OH  
COPYRIGHT 2003 DELPHI CORPORATION AND/OR ITS AFFILIATES. ALL RIGHTS RESERVED.  
THIS DRAWING IS THE PROPERTY OF DELPHI CORPORATION AND CONTAINS DELPHI CONFIDENTIAL INFORMATION. THE REPRODUCTION, DISTRIBUTION AND UTILIZATION OF THIS DOCUMENT OR ITS CONTENTS TO OTHERS, AS WELL AS COMMUNICATION OF ANY CONTENT TO OTHERS, WITHOUT EXPRESS AUTHORIZATION, IS PROHIBITED.

DATE: 20A003  
OR: J.GAYALDON  
APV02: J.GAYALDON  
APV03: G.ORANTES  
APV04:

SUBSTANCES OF CONCERN AND RECYCLED CONTENT, PER DELPHI (9944901)

SEE CHART

DRAWING NAME: TAXI SEAL CBL 1W HOLE PLUG

DRAWING NUMBER: 12110800

SIZE: A0  
SCALE: 10:1  
FRAME NO: 1 OF 1  
SHEET NO: 1 OF 1  
STG: R  
REV: 10