
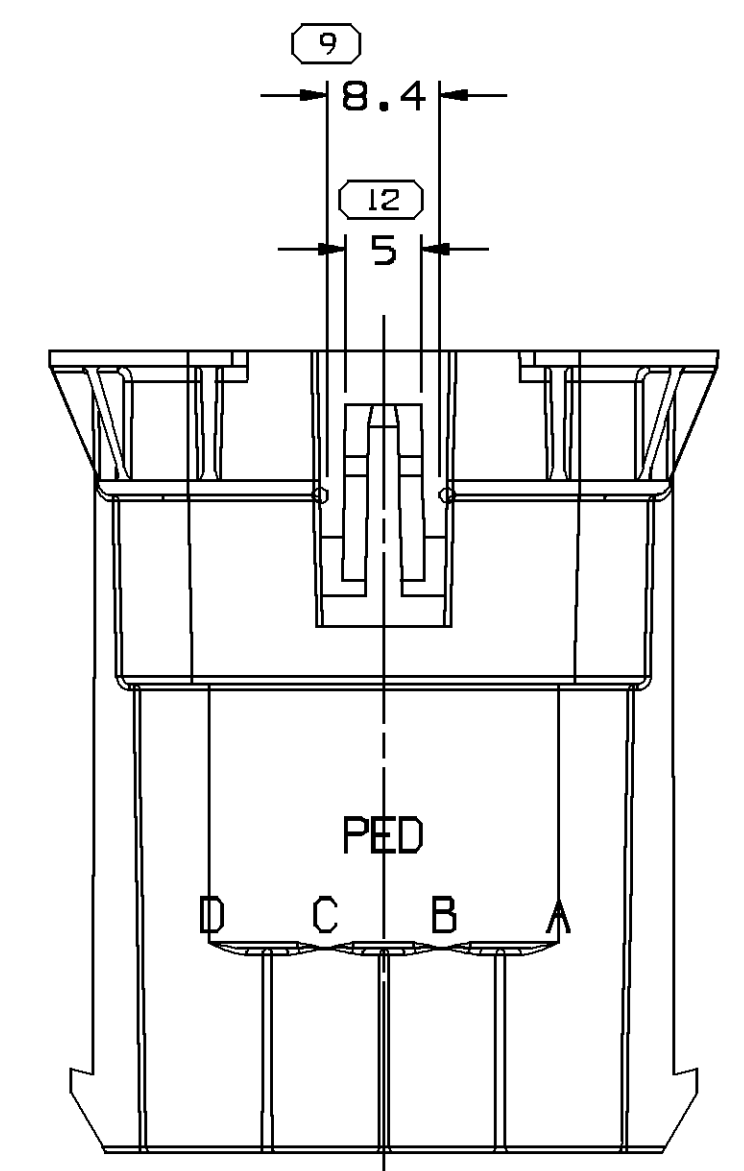
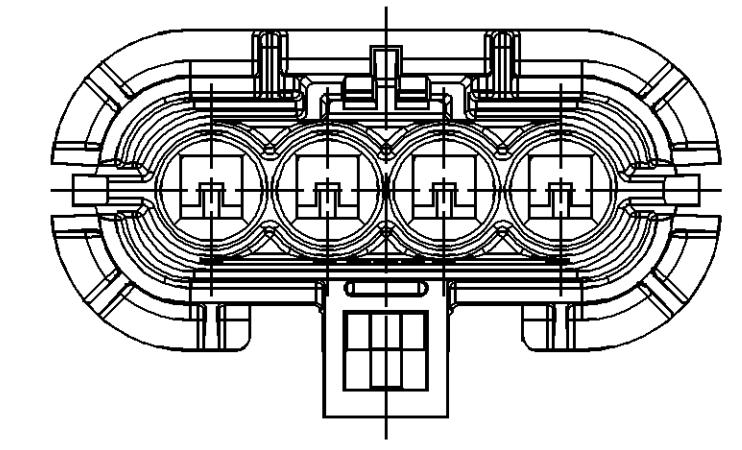
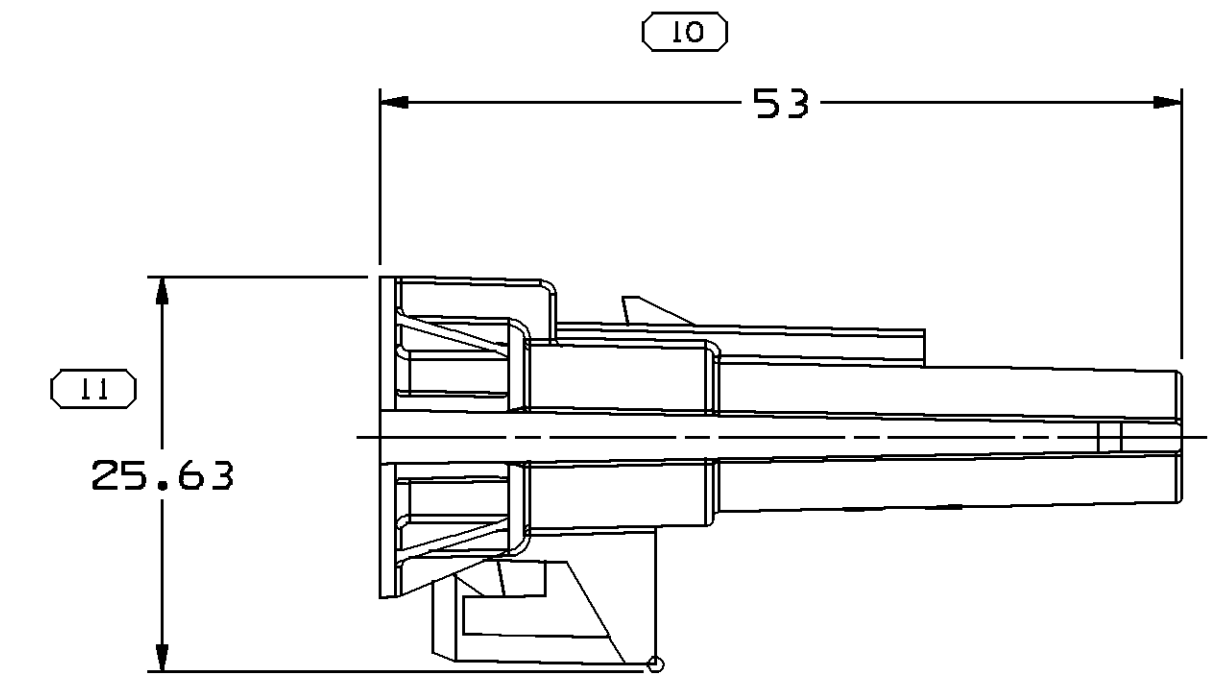
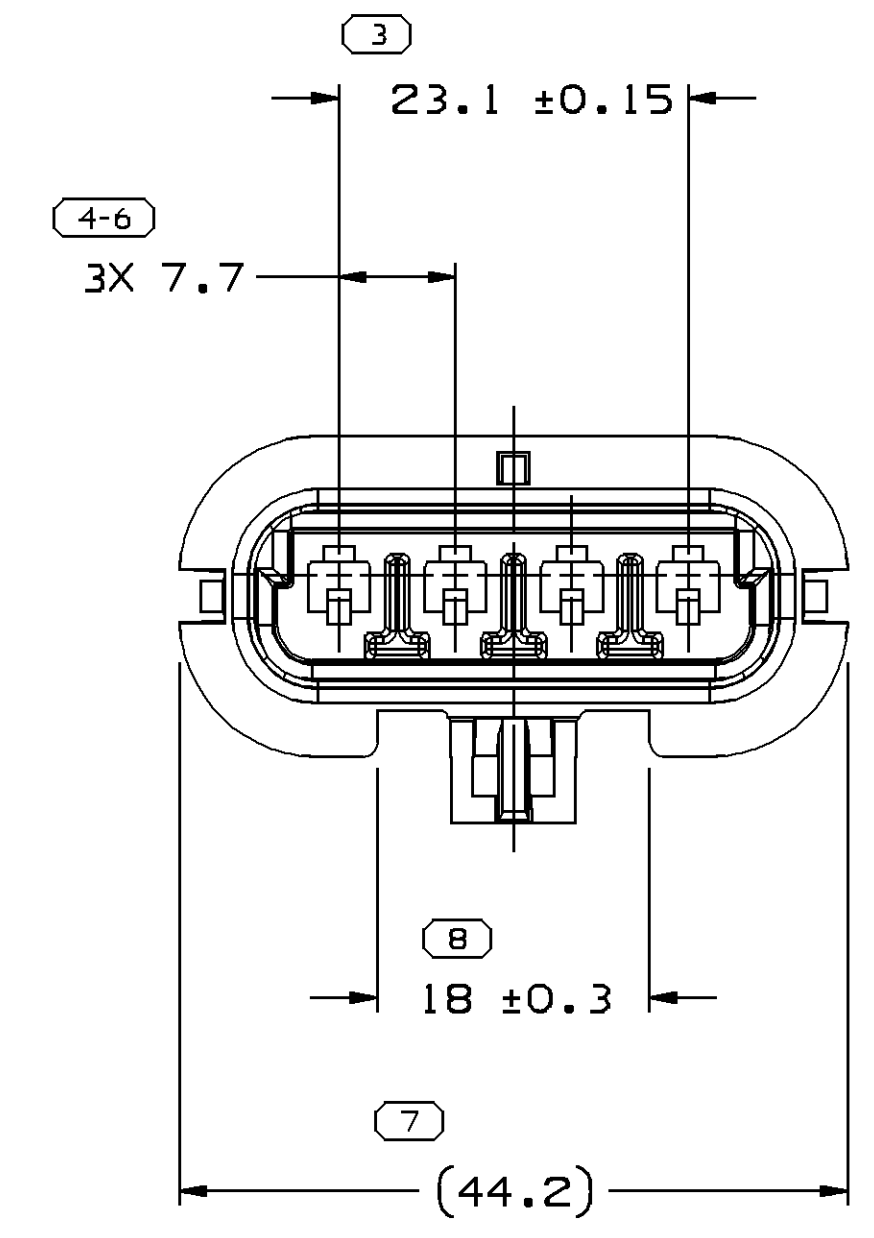
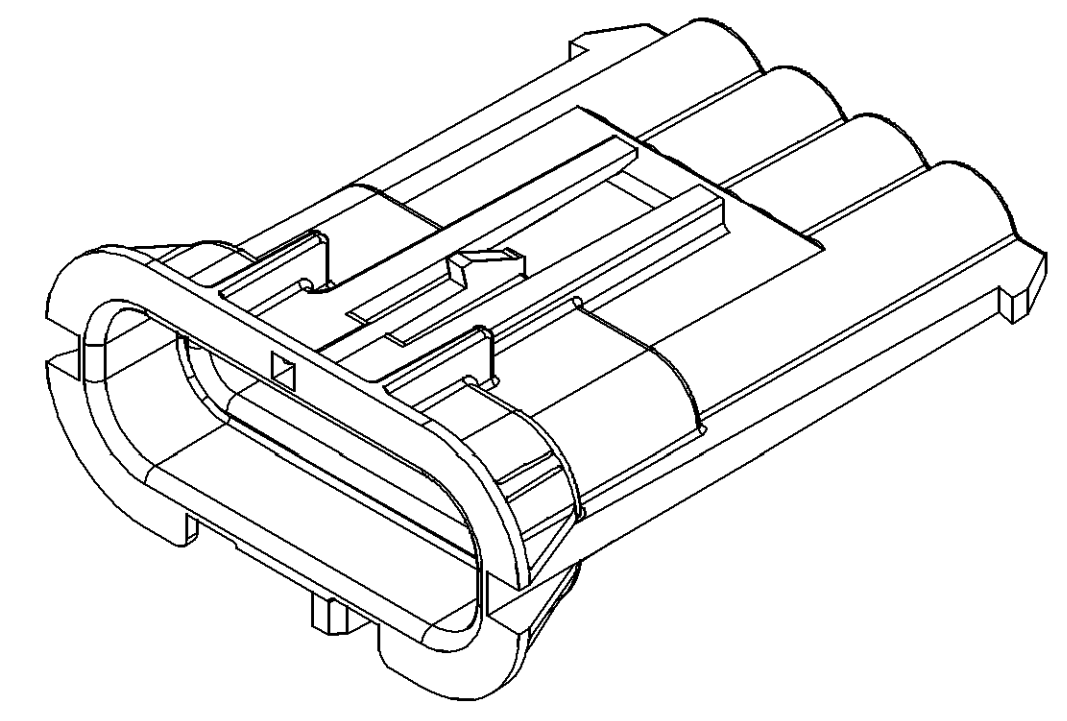
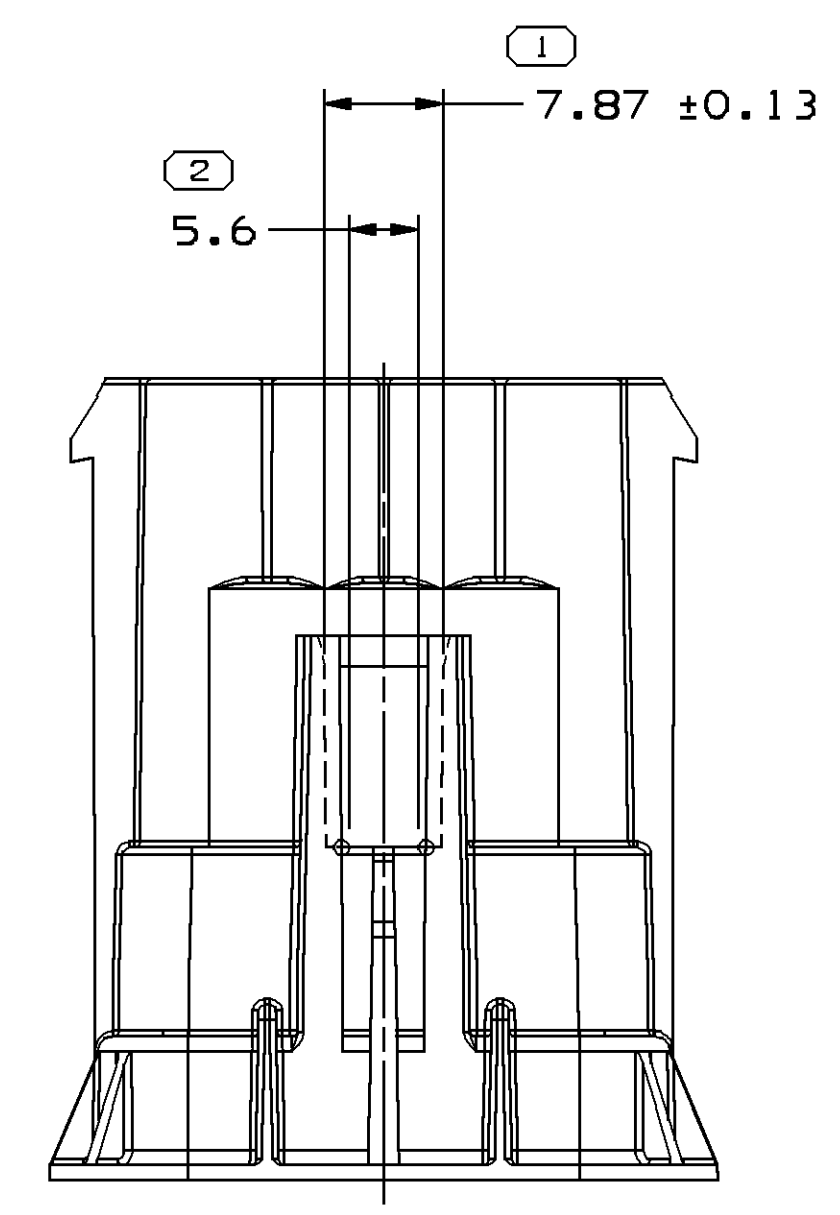


SYMBOL DEFINITION		MISSING NUMBERS	
THE NUMBER INSIDE THE SYMBOL  CORRESPONDS TO THE NUMBER ON THE INSPECTION REPORT FOR THIS DRAWING/PART NUMBER	TOTAL NO. OF SYMBOLS ON DRAWING	10	
	LAST NO. USED	12	

DWG STATUS					REVISION HISTORY				AUTH	DR	APVD1	APVD2
DATE	STG	REV	N/P	CHG								
14MR08	R	01	-	-	CLEARED REVISION COLUMN: ALL PARTS - ADDED APPLICATION DATA NOTE & APPEARANCE ITEM NOTE, REMOVED MATING COMPONENTS NOTE AND REVISED MAT'L CALLOUT TO GENERIC CALLOUT				403562	RTV	FRG	JGS



NOTES

- UNLESS OTHERWISE SPECIFIED AND/OR INDICATED:
DIMENSIONS ARE TO FACE OF VIEW SHOWN AND AUTOMATICALLY ROUNDED BY COMPUTER FOR INSPECTION (SEE MATH MODEL FOR PRECISE DIMENSIONS). FOR ALL OTHER DIMENSIONS NOT SHOWN BUT REQUIRED FOR TOOL BUILD, SEE MATH MODEL FOR PRECISE TOOL PATH DATA.
- THIS PRODUCT IS NOT CATEGORIZED AS AN APPEARANCE ITEM, MINOR IMPERFECTIONS INCLUDING, BUT NOT LIMITED TO, FLOW MARKS, COLOR BLEMISHES, GATE VESTIGE, AND SOFT FLASH THAT DO NOT AFFECT THE FIT, FORM, OR FUNCTION OF THE PART ARE PERMISSIBLE PER NAP 4.10-18.
- (2.3)X(0.1) DELPHI CORPORATE BRAND TO BE LOCATED ON ANY EXTERIOR SURFACE, PREFERABLY VISIBLE AT FINAL ASSEMBLY. OPTIONAL CONSTRUCTION FOR EXISTING TOOLING MAY BE "PED".
- FOR APPLICATION DATA SEE THE INDIVIDUAL APPLICATION DRAWINGS.

DWG TYPE PART DRAWING	
STYLE	
VOLUME (CM ³)	DISTR CODE D
UNLESS OTHERWISE SPECIFIED THIS DOCUMENT IS IN ACCORDANCE WITH ASME Y14.5M-1994 AS AMENDED BY THE GM GLOBAL DIMENSIONING AND TOLERANCING ADDENDUM-2001. SEPARATE PATTERNS OF FEATURES MAY BE GAGED SEPARATELY REGARDLESS OF DATUM REFERENCES.	
ALL DIMENSIONS ARE IN MILLIMETERS	
REFERENCE	
THIRD ANGLE PROJECTION	DO NOT SCALE USE MATH DATA

DELPHI	
DELPHI PACKARD ELECTRICAL/ELECTRONIC ARCHITECTURE WARREN, OH	
DR	DATE
APVD1 E. LUQUEÑO	18MR98
APVD2 R. MOYSEN M.	04MY98
APVD3 B. GEARHEART	08MY98
APVD4	
APVD5	
SUBSTANCES OF CONCERN AND RECYCLED CONTENT PER DELPHI 10945001	
MATERIAL SEE CHART	
DRAWING NAME TAXI CONN M M/P 280 SLD	
DRAWING NUMBER 15336870	
SIZE A1	SCALE 2:1
FRAME NO 1 OF 1	SHEET NO 1 OF 1
STG R	REV 01

15336641	AI	-	-	POLYESTER COMPOUND BLACK	9.648
12129600	DI	-	-	POLYESTER COMPOUND GRAY	9.648
PART NO	REV	N/P	STATUS	MATERIAL SPECIFICATION AND COLOR	VOLUME CM ³

DIMENSIONAL RANGE (MM)		CHART ET	
FROM	> 0	> 30	> 100
TO	20	70	150
TOLERANCE UNLESS OTHERWISE SPECIFIED		ANGULAR TOLERANCE ±2°	
	±0.15	±0.2	±0.3
	±0.4	±0.5	±0.6
	±0.8	±1	±1.2

(11) PROCESS SENSITIVE DIMENSION
DIMENSIONS ENCLOSED IN () INDICATE REFERENCE DIMENSIONS AND NO TOLERANCE LIMITS ARE ESTABLISHED