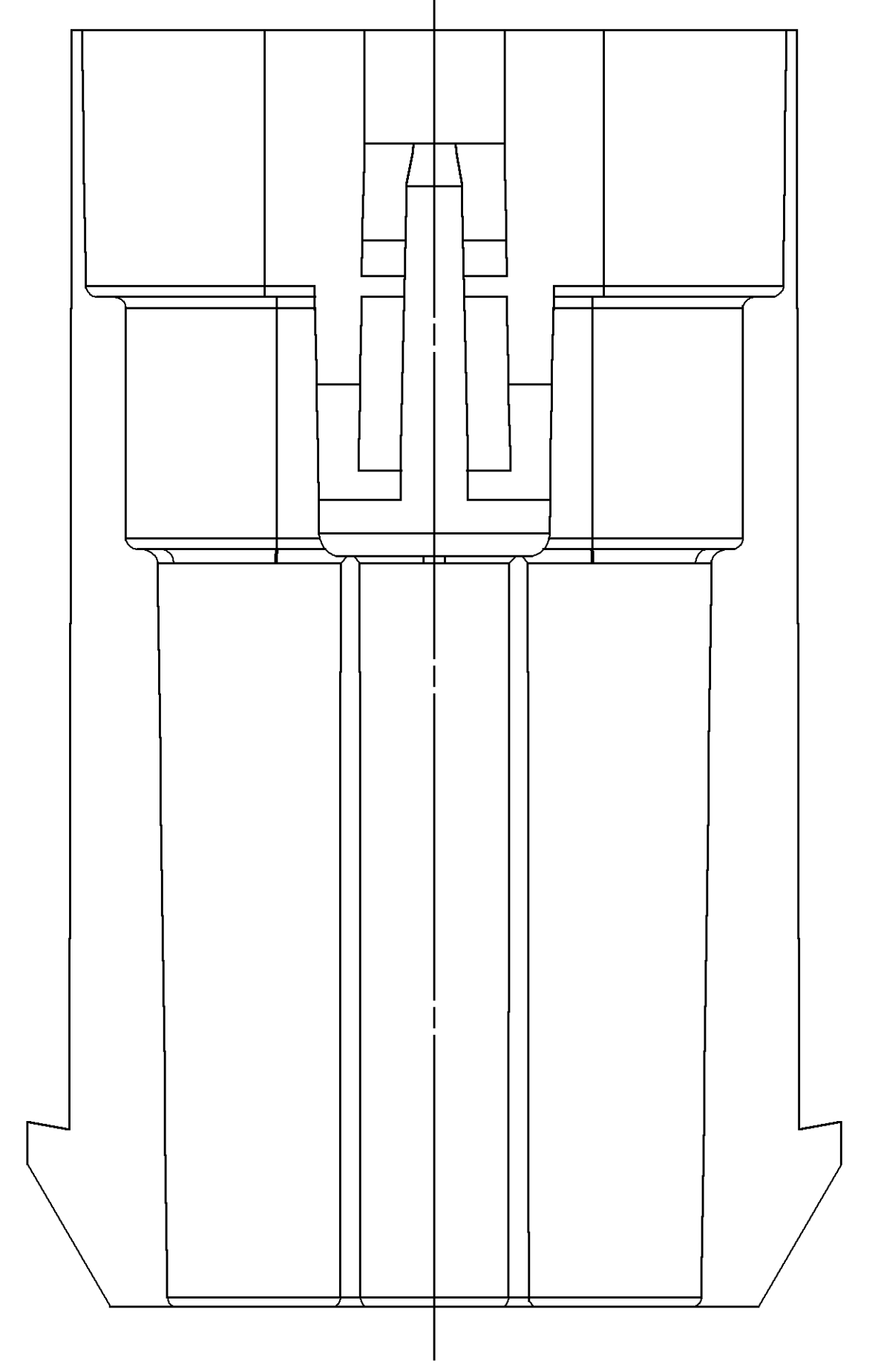
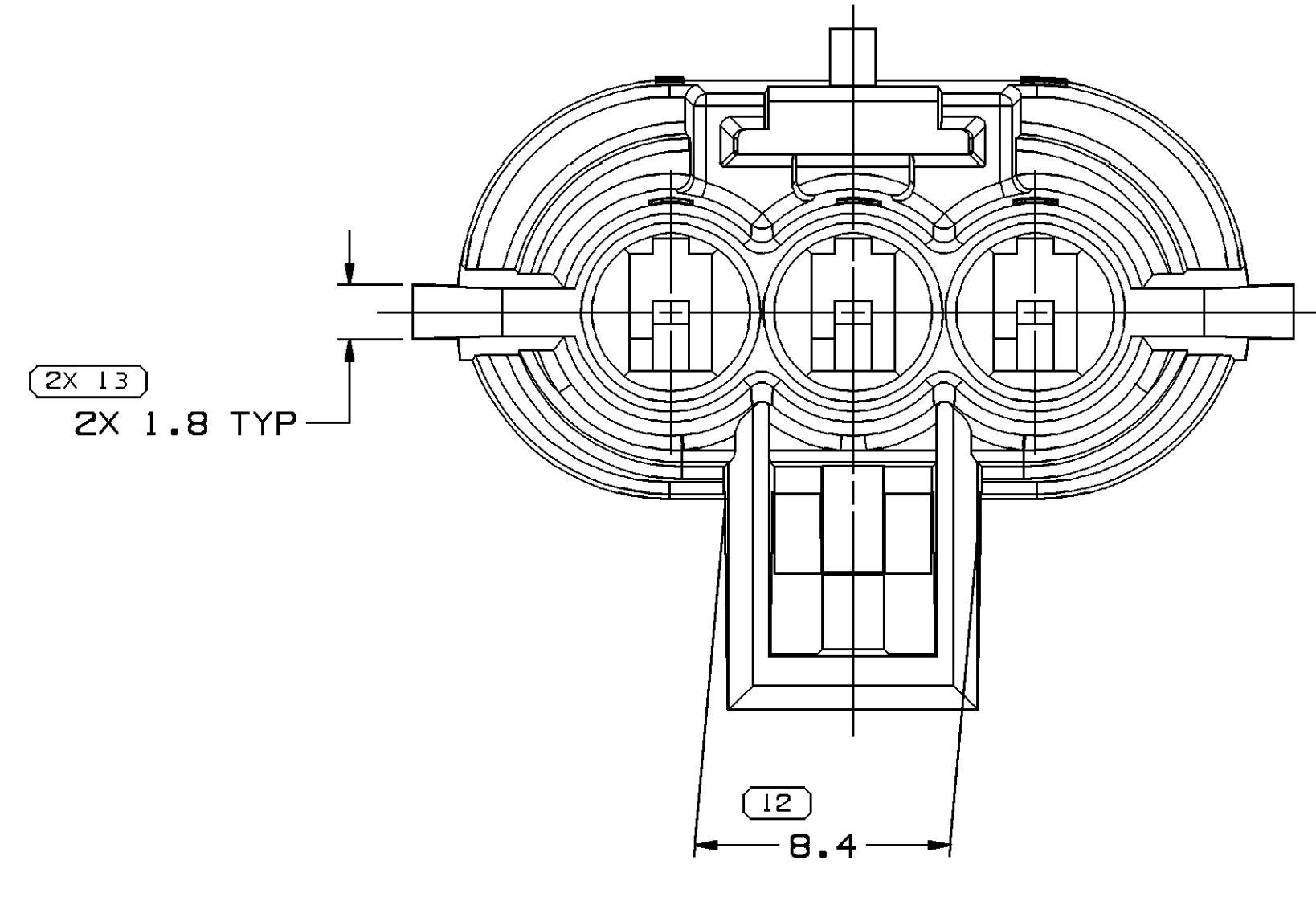
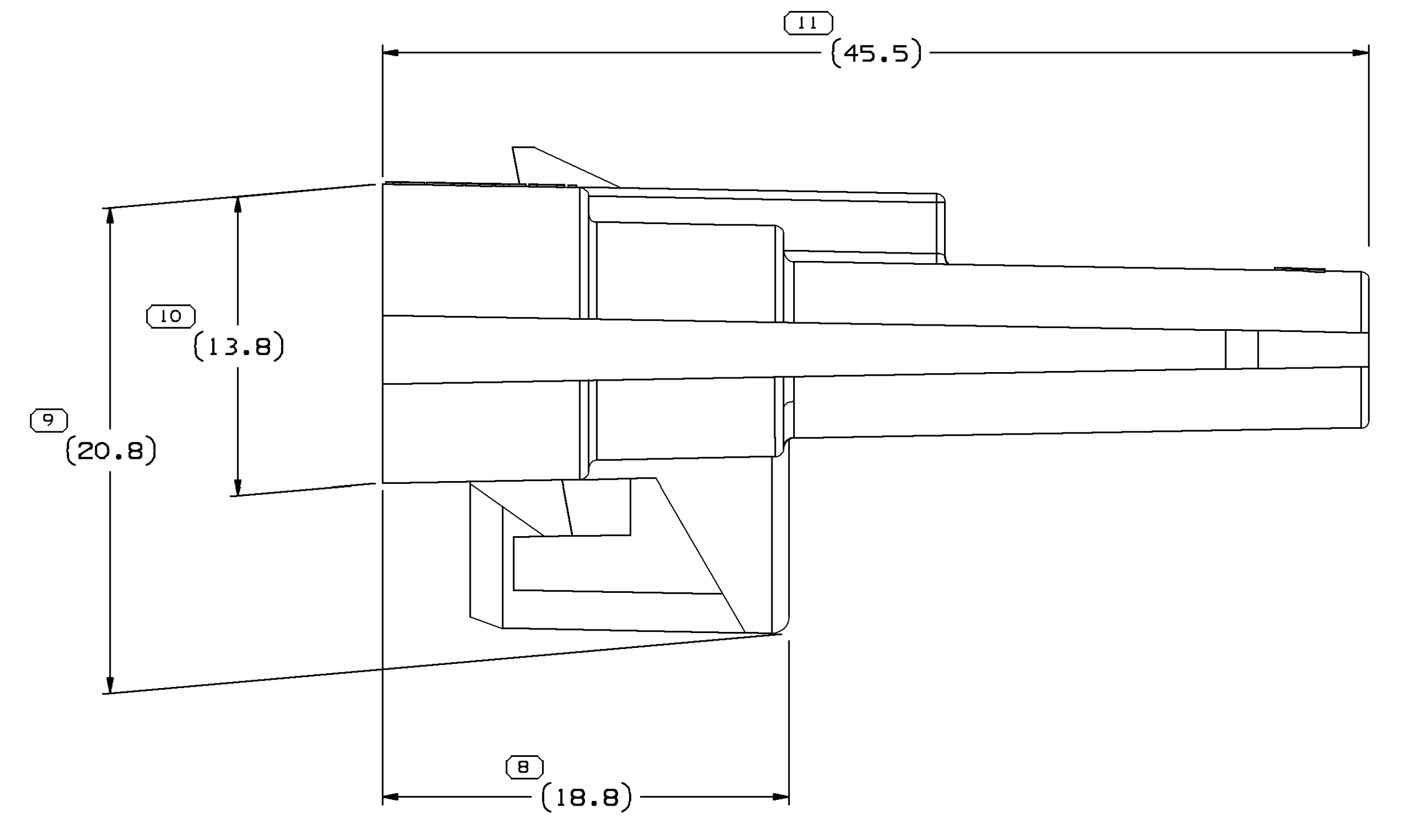
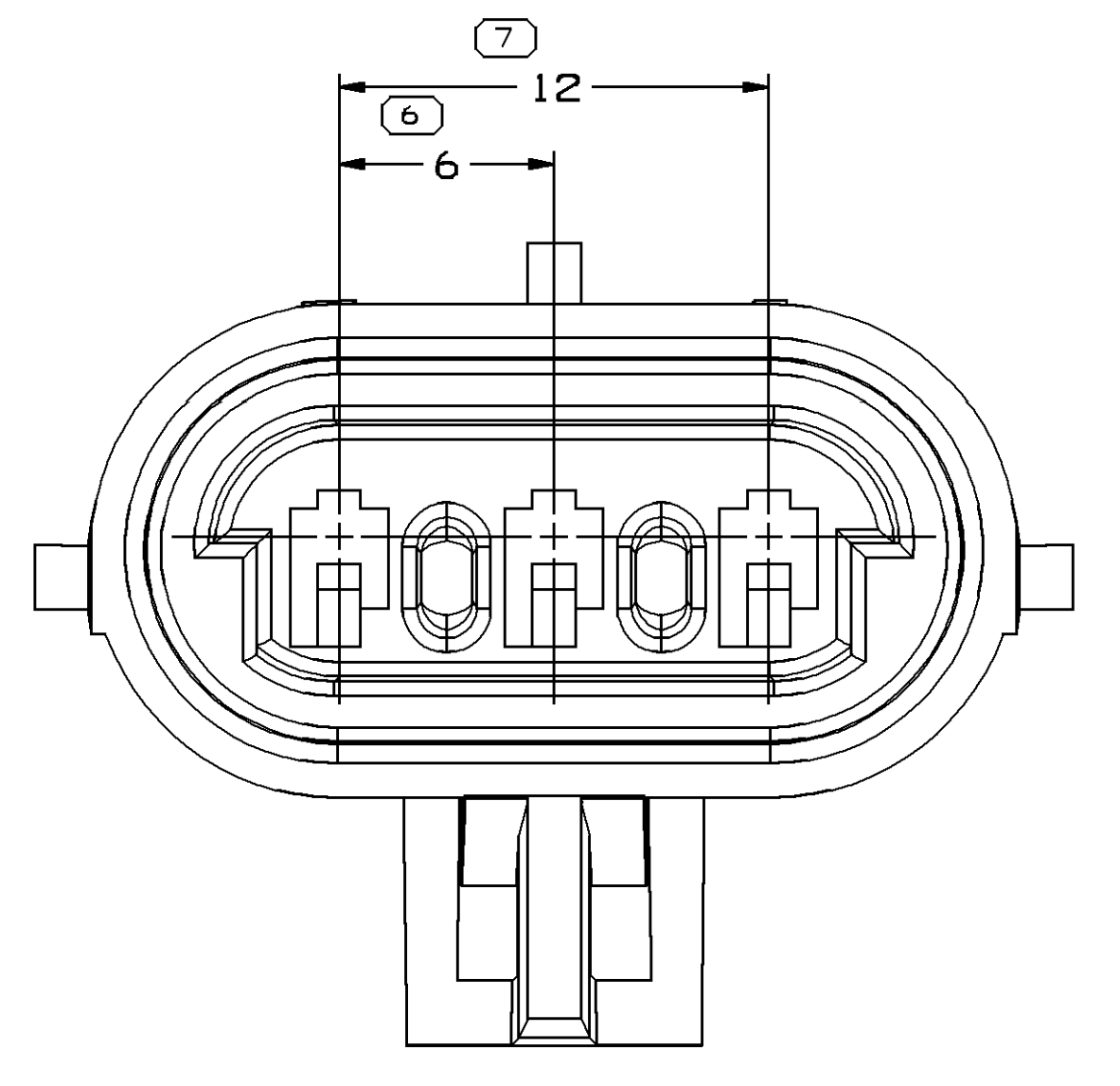
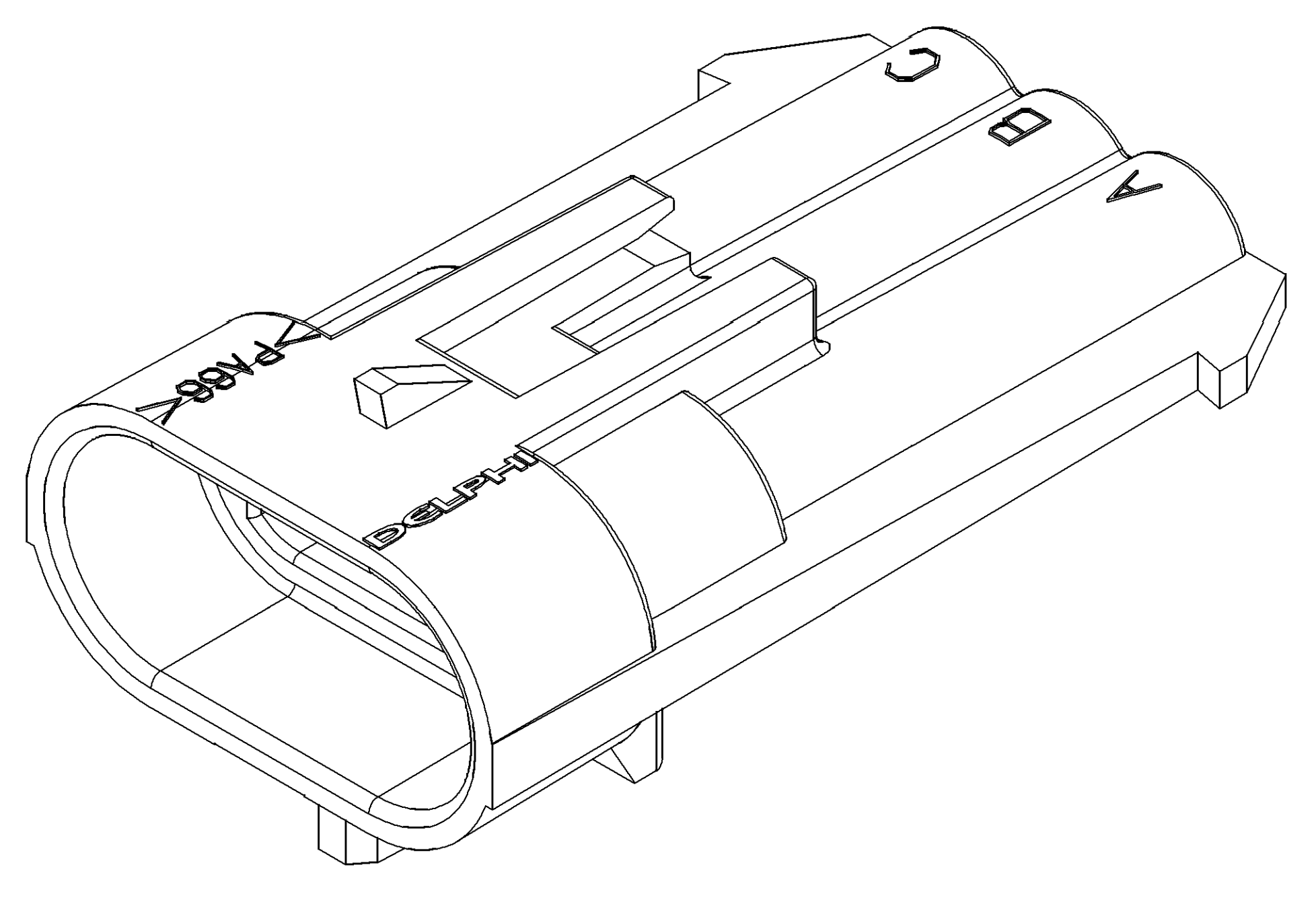
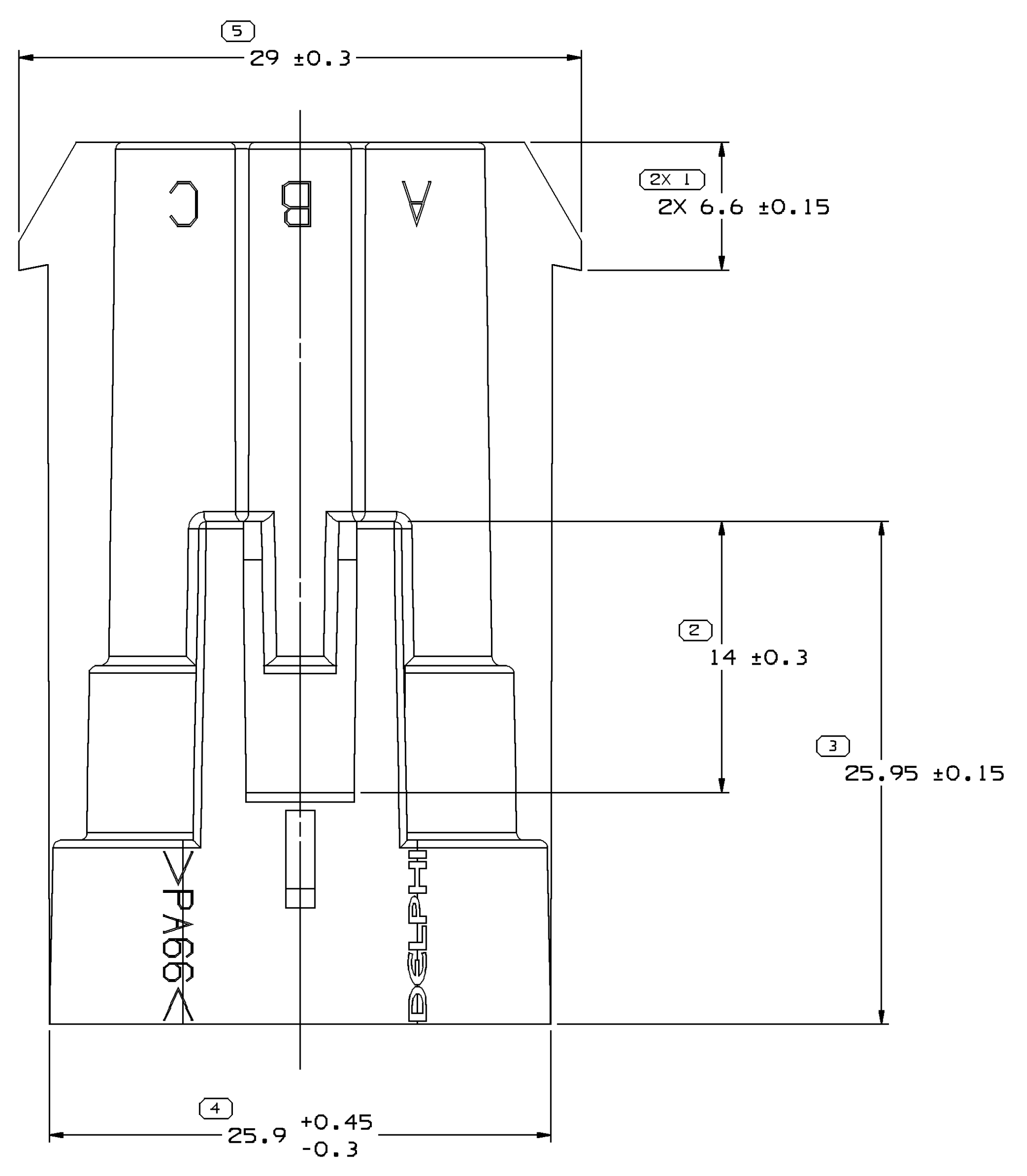


SYMBOL DEFINITION		TOTAL NO OF INSPECTIONS REQUIRED	MISSING SYMBOLS
A DIMENSION WITHOUT AN INSPECTION REPORT SYMBOL DOES NOT REQUIRE INSPECTION. IT MAY BE CONTROLLED ON THE INDIVIDUAL COMPONENT DRAWING.		15	NO MISSING SYMBOL NUMBER
	LAST NO. USED	13	

DWG STATUS				REVISION HISTORY				AUTH	DR	APVD
DATE	STG	REV	N/P	CHG	ZONE					
13FE06	R	B2	-	-		CLEARED REV COLUMN, UPDATED TO LATEST U8 STANDARD. MAT'L SPEC WAS R0071754 AND ADDED NOTES 6 & 7	277186	JTZ	FRG	B06
13SE06	R	B3	-	-		UPDATED PDM ATTRIBUTES	284433	MM	MM	B06
05DE06	R	B4	-	-		REVISED MODEL TO MATCH PART	287497	RH	RH	B06



- NOTES
- UNLESS OTHERWISE SPECIFIED AND/OR INDICATED:  
DIMENSIONS ARE TO FACE OF VIEW SHOWN AND AUTOMATICALLY ROUNDED BY COMPUTER FOR INSPECTION (SEE MATH MODEL FOR PRECISE DIMENSIONS). FOR ALL OTHER DIMENSIONS NOT SHOWN BUT REQUIRED FOR TOOL BUILD, SEE MATH MODEL FOR PRECISE TOOL PATH DATA.
  - MAXIMUM CABLE DIAMETER FOR THIS PART IS 2.8 MM.
  - SEALING CODE 3 - DESIGN WILL PASS SALT FOG AND IMMERSION TEST AFTER CONDITIONING AS SPECIFIED IN ESA-644 (WEATHER-PACK), ESA-710 (METRI-PACK), ESA-650 (UNDERHOOD MICRO-PACK), C-4006 (WORLD CONNECTOR), ETC. - WHEN MATED TO MATING PART OR EQUIVALENT
  - THIS PART IS NOT CONTROLLED FOR AUTOMATIC FEEDING.
  - THIS PART ACCEPTS THE FOLLOWING COMPONENTS OR EQUIVALENT: CONNECTOR TO MATE WITH 12110293 CONNECTOR AND SEAL ASSEMBLY CAVITIES TO ACCEPT 12045773 TERMINAL SECONDARY TERMINAL LOCK 12052845 CABLE SEAL 12048086 CONNECTOR POSITION ASSURANCE T-LOCK 12020833 WHEN MATED WITH 12110293 CONNECTOR AND SEAL ASM
  - MATERIAL RECYCLING CODE PER ISO 11469. (1.5)X(0.1) CHARACTERS AS SHOWN TO BE LOCATED ON ANY EXTERIOR SURFACE.
  - (0.9)X(0.1) DELPHI CORPORATE BRAND TO BE LOCATED ON ANY EXTERIOR SURFACE - PREFERABLY VISIBLE AT FINAL ASSEMBLY. OPTIONAL CONSTRUCTION FOR EXISTING TOOLING MAY BE "PED".

DWG TYPE PART DRAWING																					
STYLE																					
VOLUME 10/1 4,970	DISTR CODE D																				
UNLESS OTHERWISE SPECIFIED THIS DOCUMENT IS IN ACCORDANCE WITH ASME Y14.5M-1994 AS MODIFIED BY THE IN-SUPPLY DIMENSIONING AND TOLERANCE PRACTICES. SEPARATE NOTATIONS OF FEATURES MAY BE BASED SEPARATELY PER USE OF DIMM REFERENCES.																					
ALL DIMENSIONS ARE IN MILLIMETERS																					
REFERENCE 12052844																					
THIRD ANGLE PROJECTION																					
DO NOT SCALE	USE MATH DATA																				
<table border="1"> <thead> <tr> <th>DIMENSIONAL RANGE (MM)</th> <th>TOLERANCE UNLESS OTHERWISE SPECIFIED</th> </tr> </thead> <tbody> <tr> <td>FROM &gt; 0 TO &gt; 30</td> <td>±0.15</td> </tr> <tr> <td>&gt; 30 TO &gt; 70</td> <td>±0.2</td> </tr> <tr> <td>&gt; 70 TO &gt; 100</td> <td>±0.3</td> </tr> <tr> <td>&gt; 100 TO &gt; 150</td> <td>±0.4</td> </tr> <tr> <td>&gt; 150 TO &gt; 200</td> <td>±0.5</td> </tr> <tr> <td>&gt; 200 TO &gt; 250</td> <td>±0.6</td> </tr> <tr> <td>&gt; 250 TO &gt; 300</td> <td>±0.8</td> </tr> <tr> <td>&gt; 300 TO &gt; 400</td> <td>±1.0</td> </tr> <tr> <td>ANGULAR TOLERANCE</td> <td>±1.2</td> </tr> </tbody> </table>		DIMENSIONAL RANGE (MM)	TOLERANCE UNLESS OTHERWISE SPECIFIED	FROM > 0 TO > 30	±0.15	> 30 TO > 70	±0.2	> 70 TO > 100	±0.3	> 100 TO > 150	±0.4	> 150 TO > 200	±0.5	> 200 TO > 250	±0.6	> 250 TO > 300	±0.8	> 300 TO > 400	±1.0	ANGULAR TOLERANCE	±1.2
DIMENSIONAL RANGE (MM)	TOLERANCE UNLESS OTHERWISE SPECIFIED																				
FROM > 0 TO > 30	±0.15																				
> 30 TO > 70	±0.2																				
> 70 TO > 100	±0.3																				
> 100 TO > 150	±0.4																				
> 150 TO > 200	±0.5																				
> 200 TO > 250	±0.6																				
> 250 TO > 300	±0.8																				
> 300 TO > 400	±1.0																				
ANGULAR TOLERANCE	±1.2																				

**DELPHI**  
DELPHI PACKARD ELECTRIC SYSTEMS  
WARREN, OH

DR	DATE
APVD1 W. H. POEHLER	13FE92
APVD2 HENRY HOKE	13FE92
APVD3 W. K. CHIN	13FE92
APVD4	
APVD5	
SUBSTANCES OF CONCERN AND RECYCLED CONTENT PER DELPHI 10949001	
MATERIAL W3592001 PA66 HS 1M BLK	
DRAWING NAME CONN 3 M M/P 150 BLK SLD	
DRAWING NUMBER 12129615	
SIZE A0	SCALE 5:1
FRAME NO 1	SHEET NO 1
REV R	N/P B4

Date: 06-04-08 Time: 08:22