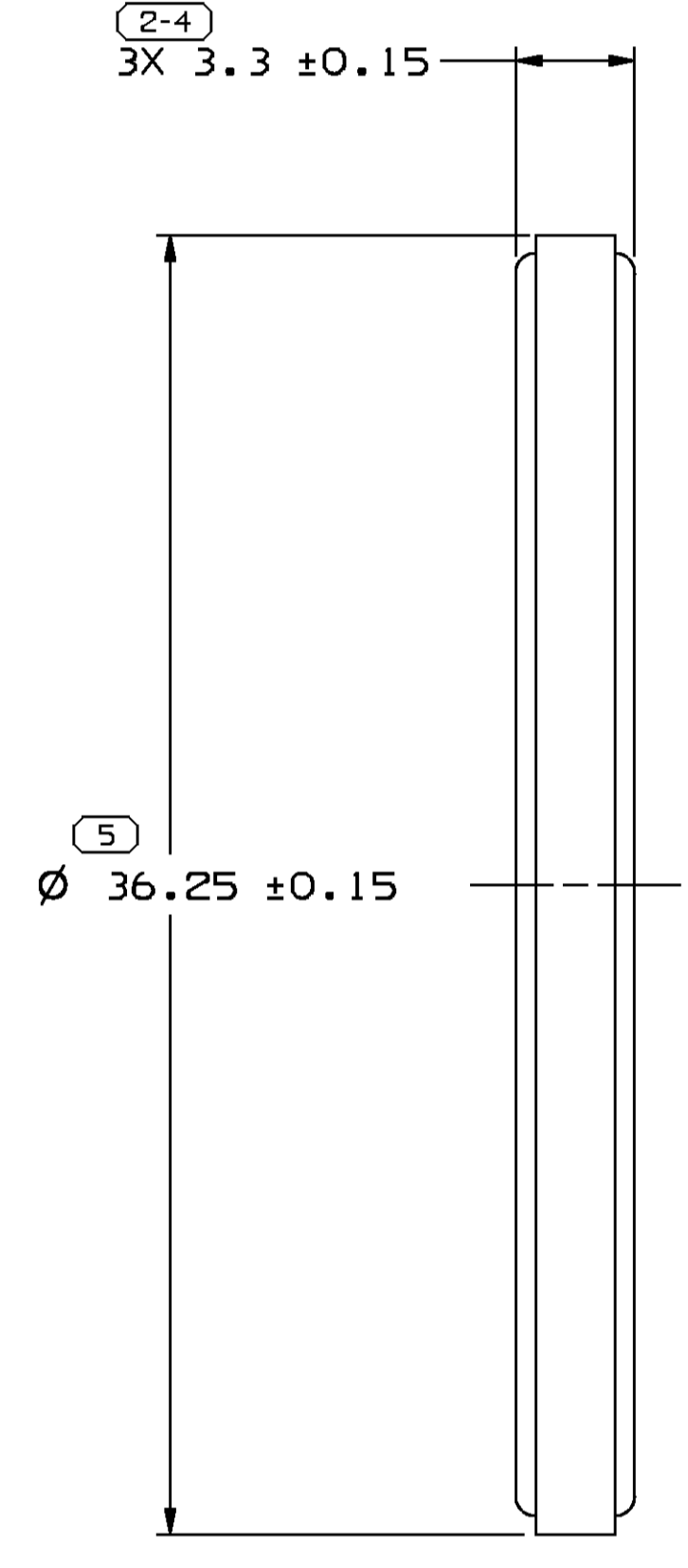
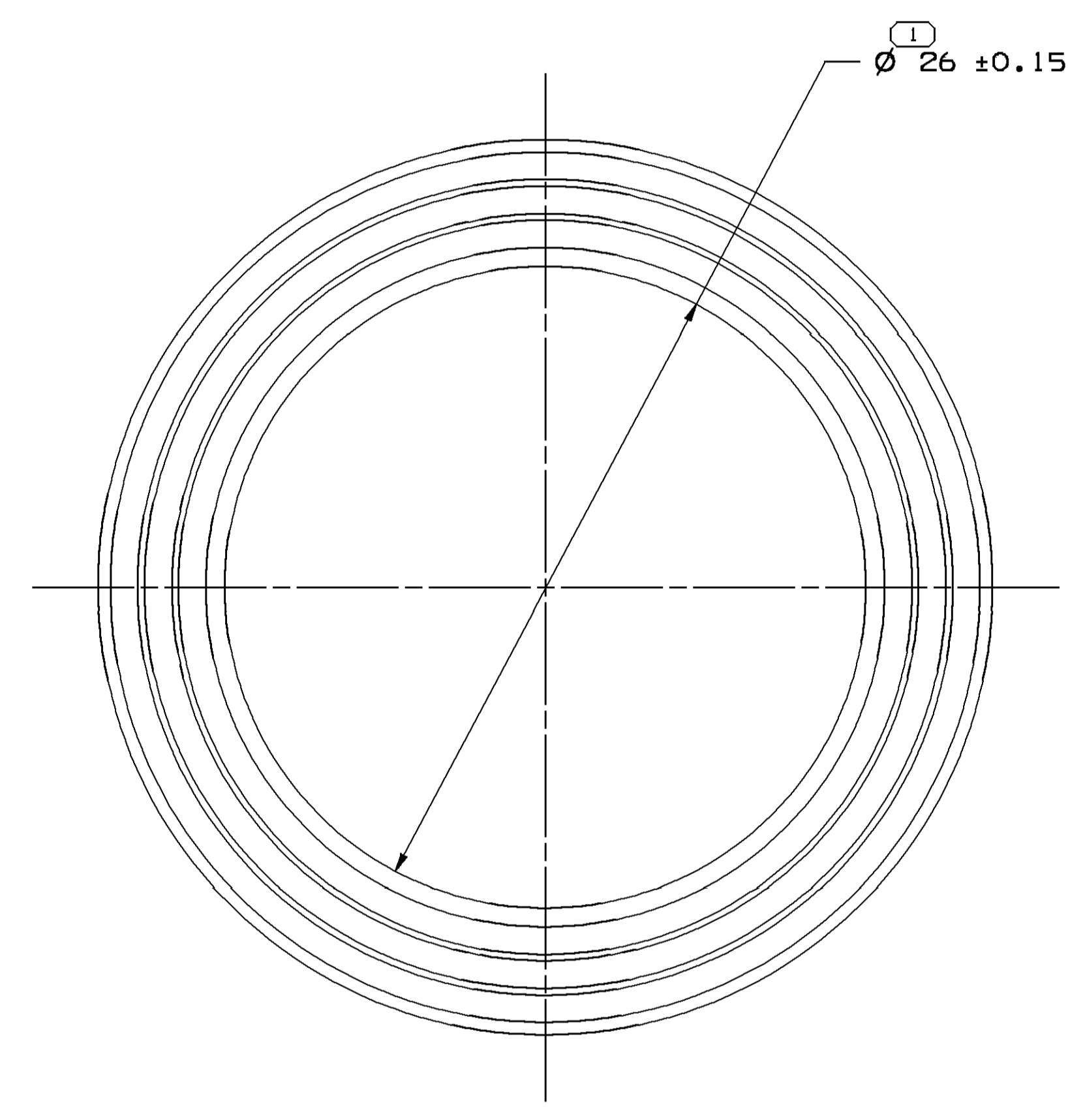
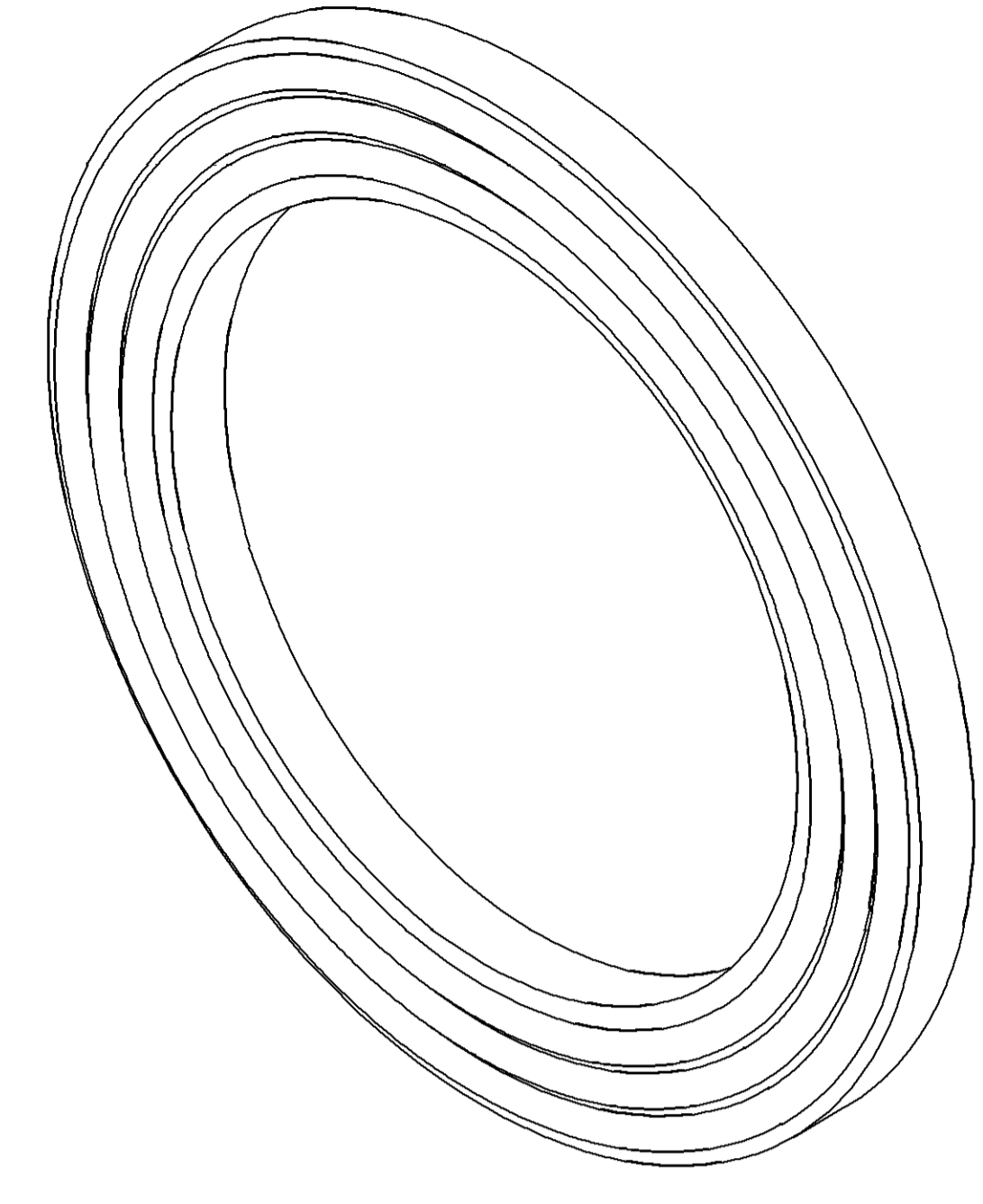


| SYMBOL DEFINITION | | MISSING NUMBERS | |
|--|---------------------------------|-----------------|--|
| THE NUMBER INSIDE THE SYMBOL () CORRESPONDS TO THE NUMBER ON THE INSPECTION REPORT FOR THIS DRAWING/PART NUMBER | TOTAL NO. OF SYMBOLS ON DRAWING | 3 | |
| | LAST NO. USED | 5 | |

| DWS STATUS | | ZONE | | REVISION HISTORY | | AUTH | DR | APVD | APVD |
|------------|-----|------|-----|------------------|---|--------|-----|------|------|
| DATE | STG | REV | N/P | CHG | | | | | |
| 30MR99 | R | 01 | - | - | CLEARED REV COLUMN & UPDATED PDM ATTRIBUTES | 193683 | EFM | 061 | MF |
| 280C99 | R | 02 | - | - | 12129909 - REVISED MAT'L SPEC | 198104 | HH | HH | RH |
| 23FE00 | R | 03 | - | - | 15383123 - RELEASED | 000005 | RB | GMC | RH |
| 23FE00 | R | 04 | - | - | ALL PARTS - REVISED & ADDED NOTE | 199678 | RB | GMC | RH |
| 24MR03 | R | 05 | - | - | 15317952 - REVISED MAT'L SPEC | 238509 | JGR | EDV | JR |
| 07AP11 | R | 06 | - | - | 12129909 - REVISED MAT'L SPEC | 413891 | AGM | JVM | ACM |
| 12JA15 | R | 07 | - | - | 33202250 - RELEASED | 428620 | JVR | JVM | MEA |



MATERIAL NOTES

- MUST BE COMPATIBLE WITH ABS POLYCARBONATE AND ACRYLICS.
- MUST HAVE LOW COMPRESSION SET AND PROVIDE A SEAL AFTER CONDITIONING 85°C IN OVEN FOR 1000 HRS.
- MUST MEET LOW TORQUE REQUIREMENTS. (12129909, 12110029 AND 33202250 ONLY)

NOTES

- UNLESS OTHERWISE SPECIFIED AND/OR INDICATED:
DIMENSIONS ARE TO FACE OF VIEW SHOWN AND AUTOMATICALLY ROUNDED BY COMPUTER FOR INSPECTION (SEE MATH MODEL FOR PRECISE DIMENSIONS). FOR ALL OTHER DIMENSIONS NOT SHOWN BUT REQUIRED FOR TOOL BUILD, SEE MATH MODEL FOR PRECISE TOOL PATH DATA.
- REFERENCE MATING COMPONENTS OR EQUIVALENT:
LAMP SOCKET 15324350
- FOR P/N 15383123 FOR LUBRICITY USE A PF 125 WACKER SILICONE OR AN EQUIVALENT WITH APPROVAL OF COMPONENT LIAISON, REF 8.5 MILLILITERS PER 1000 PIECES.
- THIS PRODUCT IS NOT CATEGORIZED AS AN APPEARANCE ITEM, MINOR IMPERFECTIONS INCLUDING, BUT NOT LIMITED TO, FLOW MARKS, COLOR BLEMISHES, GATE VESTIGE, AND SOFT FLASH THAT DO NOT AFFECT THE FIT, FORM, OR FUNCTION OF THE PART ARE PERMISSIBLE PER DPNP-4.7-CS-01.
- THIS PART IS NOT CONTROLLED FOR AUTOMATIC FEEDING.

| PART NO | REV | N/P | COLOR | MATERIAL SPEC | VOL CM ³ |
|----------|-----|-----|-------|---|---------------------|
| 33202250 | 01 | - | GRAY | ELAS EPDM GRAY, POST CHLORINATED FOR LUBRICITY | 1.384 |
| 15383123 | 01 | AA | BLACK | 34090 (EOVL-4) ASTM D-2000, M2BA407 SEE NOTE 3 FOR LUBRICITY | 1.384 |
| 15317952 | 02 | - | GRAY | RUBBER-ASTM D-2000, M3BA310, A14, B13, C12, F17, Z1, LUBRICATED | 1.384 |
| 12129909 | C6 | - | BLACK | ELAS EPDM BLACK, POST CHLORINATED FOR LUBRICITY | 1.384 |
| 12110029 | C3 | - | GRAY | RUBBER-ASTM D-2000, M3BA310, A15, B13, C12, F17, Z1, LUBRICATED | 1.384 |

LINE DRAWN THROUGH PART NUMBER INDICATES THAT PHYSICAL PARTS ARE NOT AVAILABLE FOR ORDERING.

PART NUMBERS THAT DO NOT HAVE A LINE PRESENT INDICATE THAT PHYSICAL PARTS ARE AVAILABLE FOR ORDERING.

CONTACT DELPHI SALES TO ASSURE AVAILABILITY OF PARTS.

DWG TYPE: **PART DRAWING**

STYLE: **SEE CHART**

VOLUME (QTY): **SEE CHART**

DISTR CODE: **D**

UNLESS OTHERWISE SPECIFIED THIS DOCUMENT IS IN ACCORDANCE WITH ASME Y14.5M-1994 AS MODIFIED BY THE 3D GLOBAL DIMENSIONING AND TOLERANCING ADDENDUM-2001. SEPARATE PATTERNS OF FEATURES MAY BE BAIRED SEPARATELY, REGARDLESS OF DATUM REFERENCES.

ALL DIMENSIONS ARE IN MILLIMETERS

REFERENCE:

THIRD ANGLE PROJECTION

DO NOT SCALE USE MATH DATA

DELPHI
CORPORATION
TROY, MI 48060

COPYRIGHT 1996 DELPHI CORPORATION AND/OR ITS AFFILIATES. ALL RIGHTS RESERVED.

THIS DRAWING IS THE PROPERTY OF DELPHI CORPORATION AND CONTAINS DELPHI CONFIDENTIAL INFORMATION. THE REPRODUCTION, DISTRIBUTION AND UTILIZATION OF THIS DOCUMENT OR ITS CONTENTS OR DATA, AS WELL AS COMMUNICATION OF ANY CONTENT TO OTHERS, WITHOUT EXPRESS AUTHORIZATION, IS PROHIBITED.

DATE: **06/19/97**

OR:
APVD1 OSCAR OCHOA 20DE96
APVD2 MANUEL VEGA 30DE96
APVD3 C. SCHAEFER 06JA97
APVD4

SUBSTANCES OF CONCERN AND RECYCLED CONTENT PER DELPHI 19949001

MATERIAL: **SEE CHART**

DRAWING NAME: **TAXI SEAL CONN**

DRAWING NUMBER: **12129910**

SIZE: **A0** SCALE: **5:1** FRAME NO: **1** OF **1** SHEET NO: **1** OF **1** STG: **R** N/P: **07**