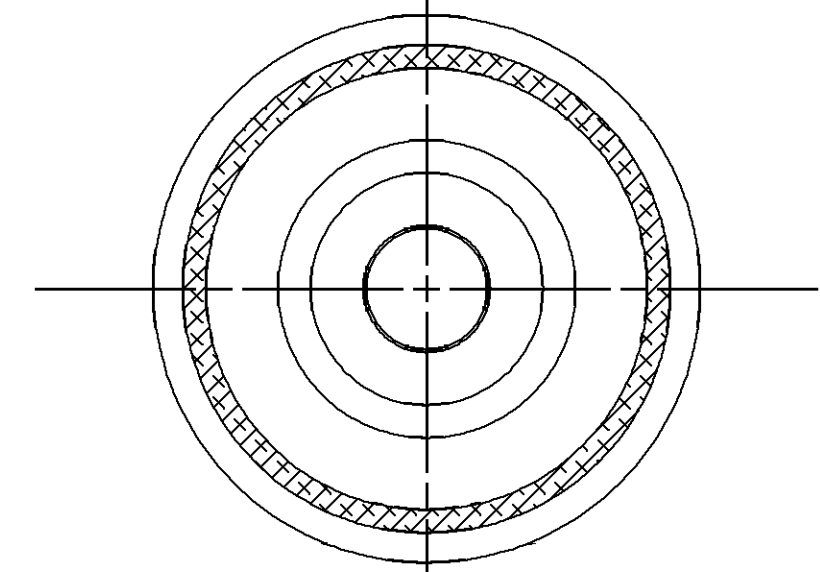
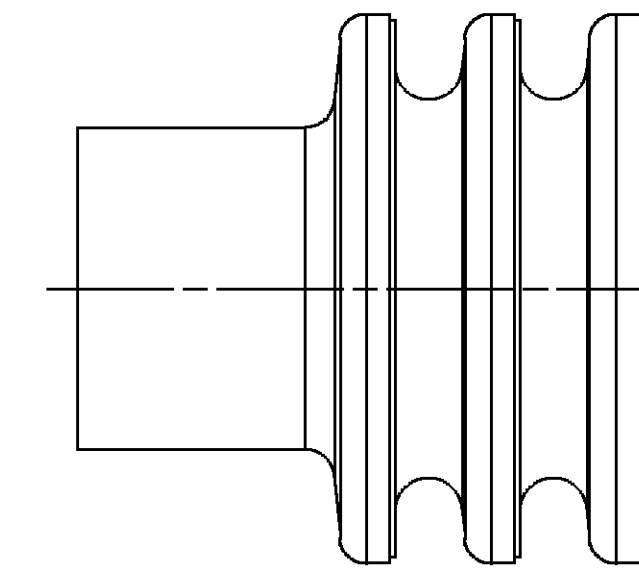
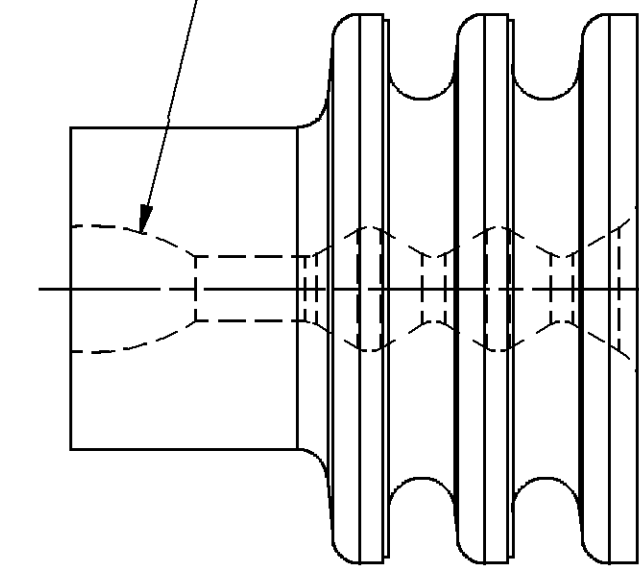


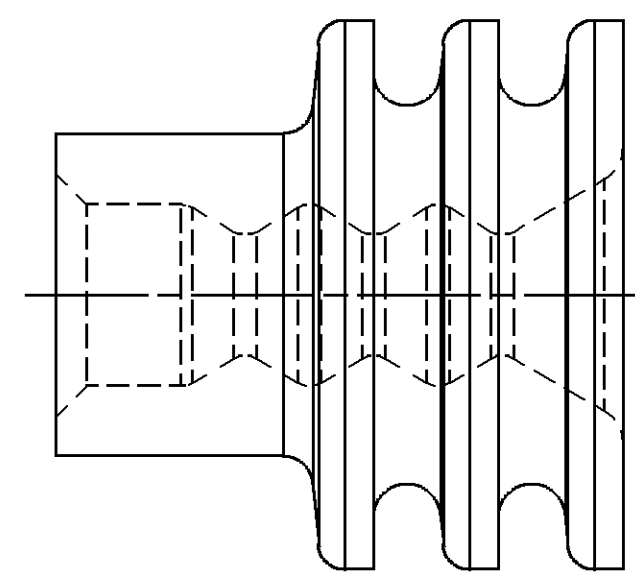
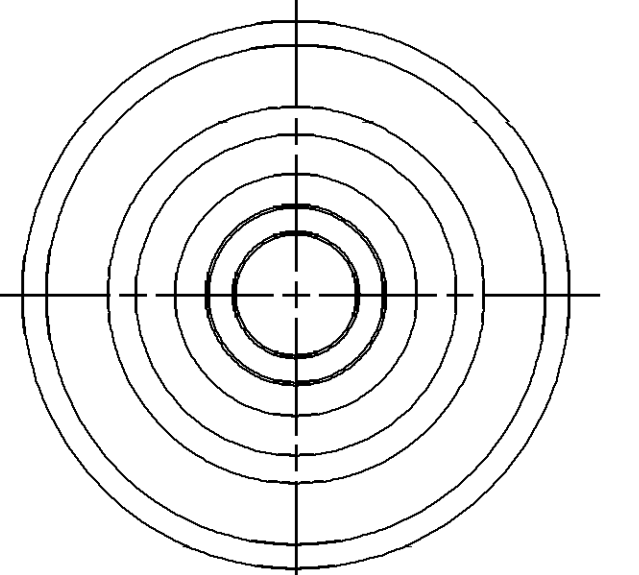
SYMBOL DEFINITION		TOTAL NO OF INSPECTIONS REQUIRED	
A DIMENSION WITHOUT AN INSPECTION REPORT SYMBOL DOES NOT REQUIRE INSPECTION. IT MAY BE CONTROLLED ON THE INDIVIDUAL COMPONENT DRAWING.		5	
	LAST NO. USED	7	

DWS STATUS		ZONE		REVISION HISTORY		AUTH	DR	APVD
DATE	REV	REV	ZONE	DESCRIPTION	DATE	BY	CHK	APP
150C99	R 001	-	-	CLEARED REV COLUMN & 12146012 - OBSOLETE	990003	JHN	JVM	LRT
27JA00	R 002	-	-	15324980 - 85 - RELEASED	000005	JLZ	QMC	RH
07N000	R 003	-	-	15324980-85 - REVISED	202978	JLZ	EAR	JR
10MR04	R 04	-	-	12010293, 12015193, 12015323, 12041351 & 12089679 REVISED PER NIN EWO BOLTS; ALL PARTS - UPDATED MATERIAL SPECS	251237	RH	RH	MR
21JN04	R 05	-	-	ADDED "ALTERNATE MATERIAL SPECIFICATION" TO CHART. ADDED PART NUMBERS 15497745-15497746, 15497754-15497755, AND 15497756-15497757.	256100	LLJ	LLJ	MR
09MR05	R 06	-	-	12010293, 12015193, 12015204, 12015323, 12015359-60, 12015899, 12034365, 12041351-52, 12089444, 12089679, 15497745-46 AND 15497754-57 - RESTRICTED; 15324980-85 - MAT'L SPEC WAS M3469; ALL ACTIVE PARTS - REVISED NOTES AND REMOVED Ø C DIM FOR TYPE 102	265538	JBD	JAA	MR
01FE06	R 07	-	-	UPDATED PDM ATTRIBUTES	276580	TS	TS	EJH
22FE06	R 08	-	-	15324980-85 - MAT'L SPEC WAS M3469	276914	JBD	JVM	MFR
03AU06	R 09	-	-	ALL ACTIVE PARTS - UPDATED MAT'L SPEC; ADDED ALTERNATE MAT'L SPEC, OPTIONAL CONSTRUCTION "3" & "2" VIEWS, SEALING RIBS VIEWS, OVERALL LENGTH NOTE & SEALING SURFACE NOTE AND DIMS (25LCS1); REMOVED OPTIONAL CONSTRUCTION VIEWS AND REVISED TOLERANCE DIM 6	283299	JBD	FRG	MFR
03OC06	R 10	-	-	ALL ACTIVE PARTS - REMOVED INSPECTION SYMBOLS NUMBER 4 & 5; REVISED PROCESS SENSITIVE DIM AND SEALING RIBS LABEL	284959	JBD	FRG	MFR
08JA07	R 11	-	-	15363991, 15363980, 15338470 & 10717459 - ADDED PART NUMBERS AS MYLAR ASSEMBLIES	400035	JTV	FRG	MFR
20FE09	R 12	-	-	13735522 - RELEASED	407387	JBD	AUG	MFR
17MR09	R 13	-	-	15324982 - ADDED OPTIONAL CONSTRUCTION 4; 15324980-01, 15324983 AND 15324985 - UPDATED PDM ATTRIBUTES	407510	JTZ	FKV	MFR
24JL09	R 14	-	-	12010293, 12015193, 12015323, 12015899, 12041351 & 12089679 - UPDATED PDM ATTRIBUTES	408462	ECB	AVG	MFR
24AU09	R 15	-	-	15497756 - UPDATED PDM ATTRIBUTES	408722	JTZ	FKV	PGD
13N009	R 16	-	-	15497756 - UPDATED MAT'L SPEC.	409474	AUG	AUG	DJS
15JN10	R 17	-	-	10717640, 12015204, 12015359-60, 12034365, 12041352, 12089444, 12146012, 15338470, 15363980, 91, 15497746, 55 & 57 - MOVED TO SHEET 6; 12010293, 12015193, 12015323, 12041351 & 12089679 - OBSOLETE AND ADDED "REPLACED BY" COLUMN ON CHART	411067	AGM	JAA	MFR
16JN11	R 18	-	-	ALL ACTIVE PARTS - UPDATED PDM ATTRIBUTES	414587	BLG	BLG	ACM
29N013	R 19	-	-	33140215 - RELEASED	424733	APB	EGH	EGH
07MY14	R 20	-	-	33140215 - CABLE OD WAS 2.73-2.05	426493	EGH	EGH	EGH

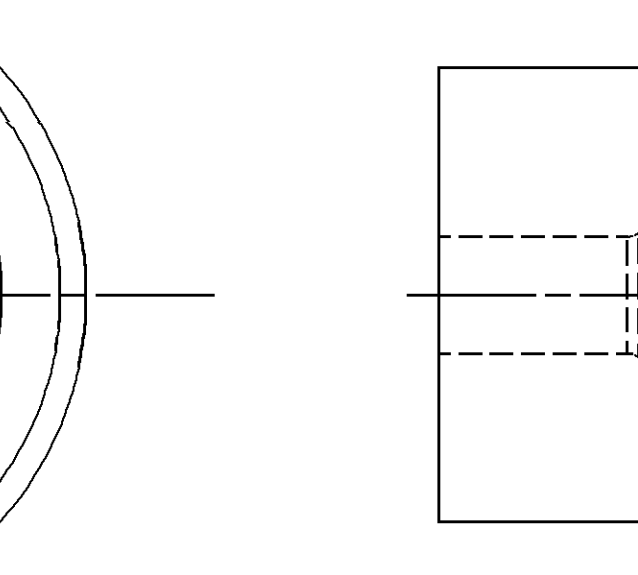
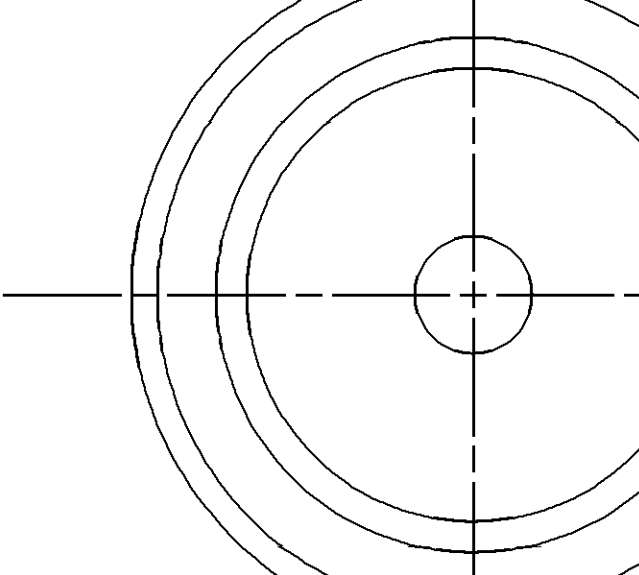
OPTIONAL CONSTRUCTION 1
TYPE 103 ONLY



OPTIONAL CONSTRUCTION 2
(ANTI-STICK RING)

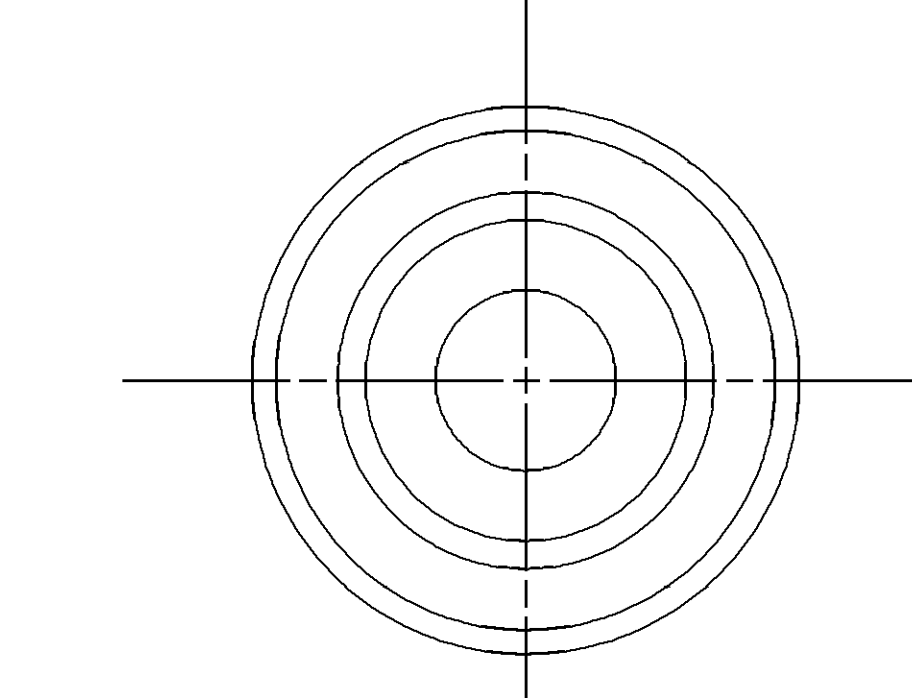
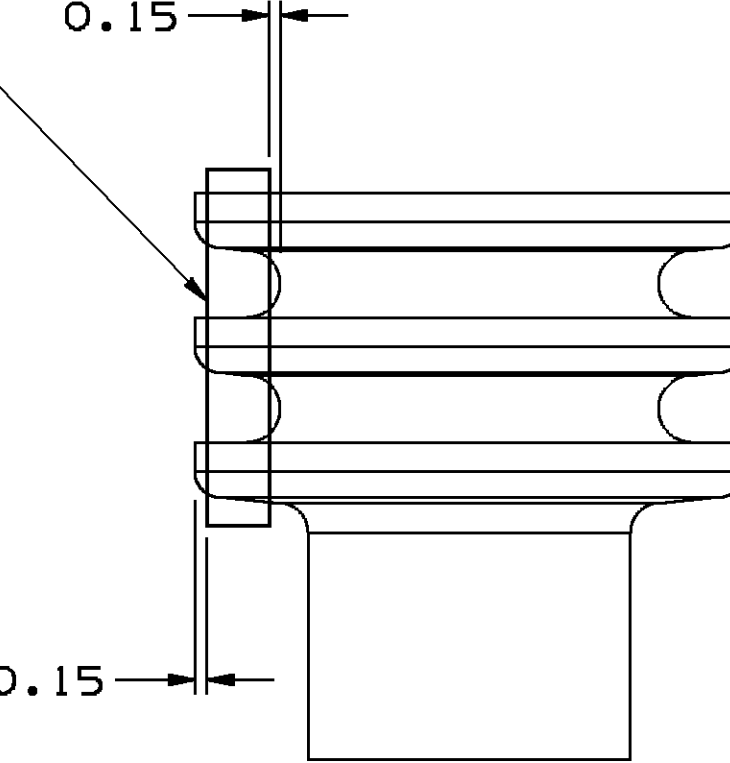


OPTIONAL CONSTRUCTION 4
TYPE 101 (15324982) ONLY

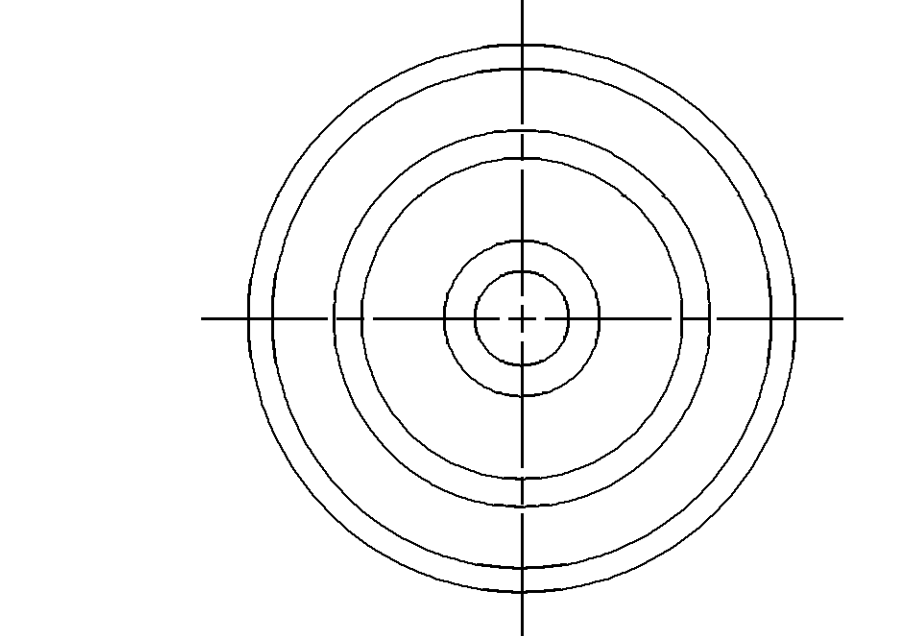
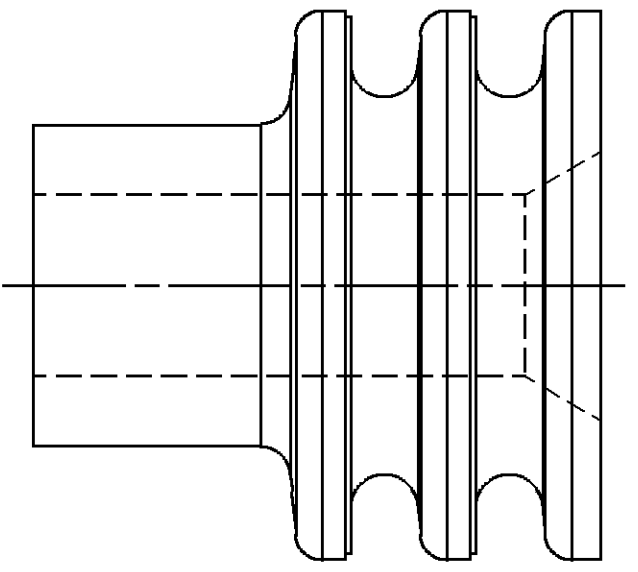


OPTIONAL CONSTRUCTION 3
THIS IS THE PREFERRED CONSTRUCTION FOR NEW TOOL BUILDS
(ANTI-STICK RING)

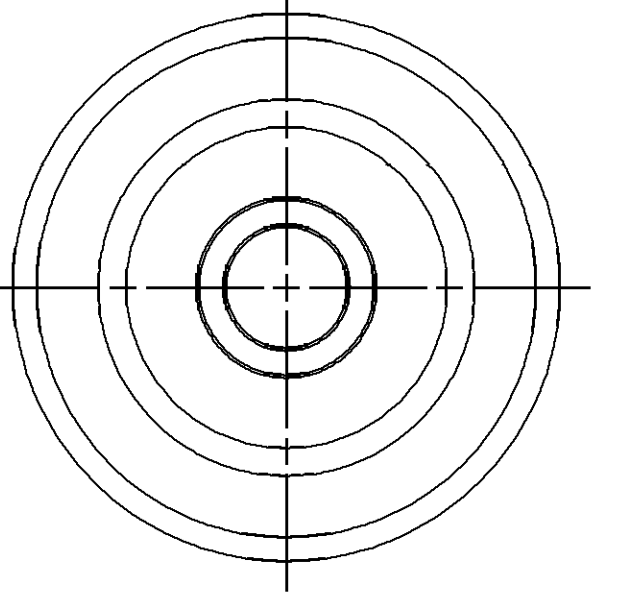
SEALING RIBS MUST BE FREE OF SINKS, VOIDS, KNIT LINES AND FLASH, IN THE AREA SHOWN ALL AROUND PART.
SEE VPS A-121 FOR ADDITIONAL INFORMATION



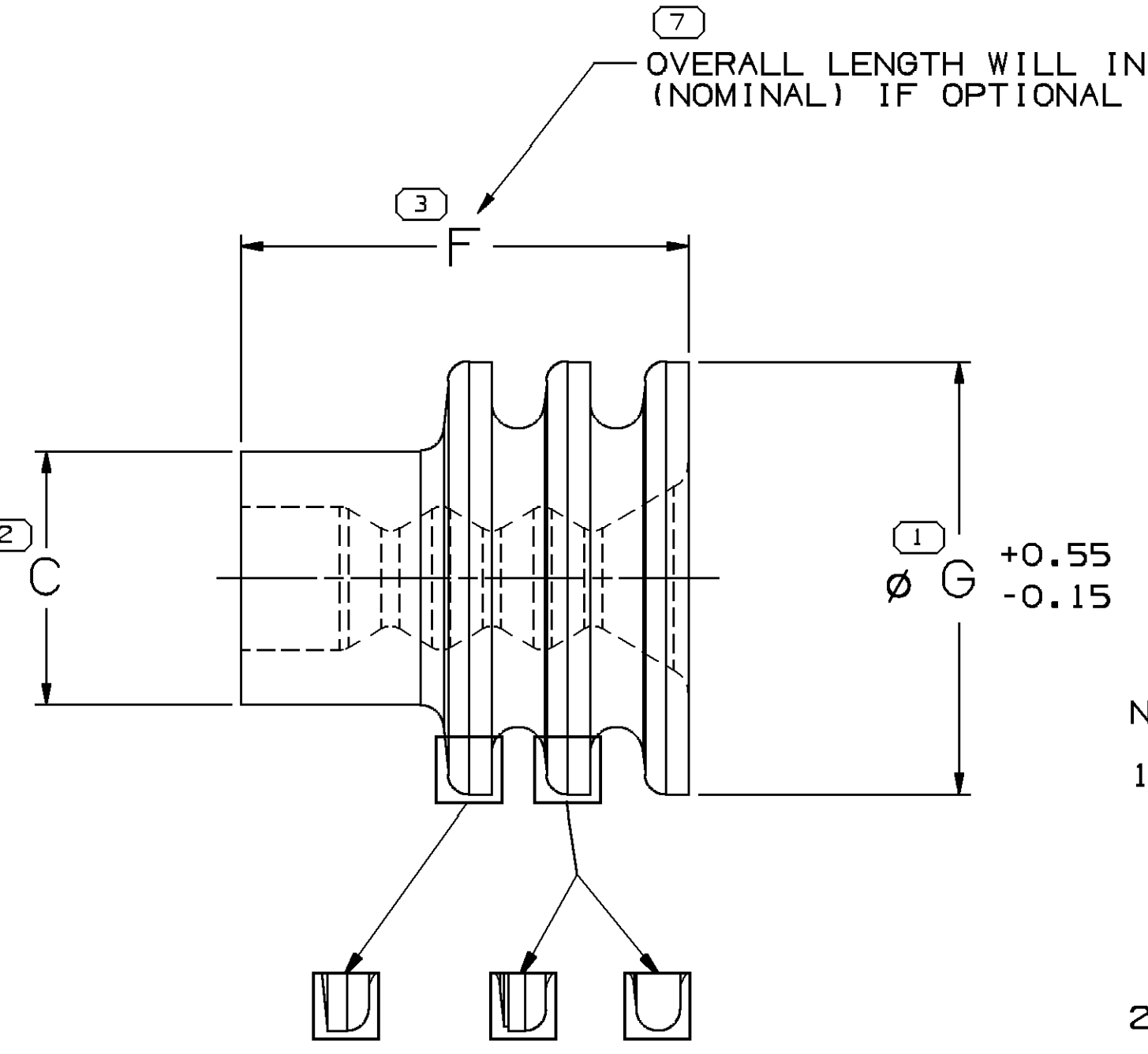
TYPE 102
SAME AS TYPE 101
EXCEPT FOR INTERNAL SEALING FEATURES



TYPE 103
SAME AS TYPE 101
EXCEPT FOR INTERNAL SEALING FEATURES



TYPE 101



SEALING RIBS MAY DIFFER AS SHOWN

- NOTES
- UNLESS OTHERWISE SPECIFIED AND/OR INDICATED: DIMENSIONS ARE TO FACE OF VIEW SHOWN AND AUTOMATICALLY ROUNDED BY COMPUTER FOR INSPECTION (SEE MATH MODEL FOR PRECISE DIMENSIONS). FOR ALL OTHER DIMENSIONS NOT SHOWN BUT REQUIRED FOR TOOL BUILD, SEE MATH MODEL FOR PRECISE TOOL PATH DATA.
 - PARTS ARE TO BE PACKAGED IN SEALED PLASTIC BAGS. GROSS WEIGHT INCLUDING CARTON IS NOT TO EXCEED 34 POUNDS.
 - TO IMPROVE SEAL PROCESSING ON SLIPPERY OR SMOOTH CABLE INSULATION, THE APPLICATION ENGINEER MAY SPECIFY THE NEXT SMALLER SEAL SIZE P/N IN PLACE OF THE INDICATED SEAL FOR THE "CABLE O.D." LISTED IN THE CHART.
 - FOR P/N'S 12041351 AND 15324984 ONLY, THESE SEALS RECOMMENDED FOR USE ON 1 MM² THIN WALL CABLE OR 8 MM² REGULAR WALL ETFE CABLE.
 - THIS PRODUCT IS NOT CATEGORIZED AS AN APPEARANCE ITEM. MINOR IMPERFECTIONS INCLUDING, BUT NOT LIMITED TO, FLOW MARKS, COLOR BLEMISHES, GATE VESTIGE, AND SOFT FLASH THAT DO NOT AFFECT THE FIT, FORM, OR FUNCTION OF THE PART ARE PERMISSIBLE PER DPNP-4.7-CS-01.
 - SEE 12010295 SHEET 6 FOR MYLAR ASSEMBLY INFORMATION.

PART NO	REV	N/P	MATERIAL SPECIFICATION AND COLOR	TYPE	CABLE O.D.	±0.05	SEE NOTE #3	C	F	G	B	CAVITY ID	EQUIVALENT CABLE SEAL	VOLUME	REPLACED BY
33140215	02	-	FLUOROSILICONE METHYL/VINYL ORANGE	102	3.49-2.81	4.25	7.5	7.25	6.7	-	-	-	-	0.142	-
13735522	01	AA	SILICONE METHYL/VINYL GREEN	102	3.49-2.81	4.25	7.5	7.25	6.7	-	-	-	-	0.142	-
15497756	01	AF	SILICONE METHYL/VINYL VIOLET	103	2.15-1.6	4.25	7.5	7.25	6.7	12089679	-	-	-	0.164	-
15497754	01	AD	SILICONE METHYL/VINYL GRAY LT	102	3.49-2.81	4.25	7.7	7.25	6.7	12010293	-	-	-	0.142	-
15497745	01	AD	SILICONE METHYL/VINYL GREEN	101	2.85-2.03	4.25	7.5	7.25	6.7	12015323	-	-	-	0.150	-
15324985	01	AK	SILICONE METHYL/VINYL VIOLET	103	2.15-1.6	4.25	7.5	7.25	6.7	12089679	-	-	-	0.164	-
15324984	01	AJ	SILICONE METHYL/VINYL TAN	102	2.42-2.03	4.25	7.5	7.25	6.7	12041351	-	-	-	0.162	-
15324983	01	AK	SILICONE METHYL/VINYL RED BRN	103	1.7-1.29	4.25	7.5	7.25	6.7	12015899	-	-	-	0.171	-
15324982	01	AJ	SILICONE METHYL/VINYL GREEN	101	2.85-2.03	4.25	7.5	7.25	6.7	12015323	-	-	-	0.150	-
15324981	01	AK	SILICONE METHYL/VINYL BLUE	102	4.3-3.45	4.25	7.5	7.25	6.7	12015193	-	-	-	0.122	-
15324980	01	AJ	SILICONE METHYL/VINYL GRAY	102	3.49-2.81	4.25	7.5	7.25	6.7	12010293	-	-	-	0.142	-
12129930	C4	-	FLUOROSILICONE METHYL/VINYL ORANGE	101	2.85-2.03	4.15	7.3	7.25	6.7	-	-	-	-	0.142	-
12089679	02	AF	SILICONE METHYL/VINYL VIOLET	103	2.15-1.6	4.25	7.5	7.25	6.7	15324985	-	-	15324985	0.164	-
12089443	B2	-	SILICONE METHYL/VINYL YELLOW	103	2.15-1.6	4.25	7.5	7.25	6.7	-	-	-	-	-	-
12041351	02	AF	SILICONE METHYL/VINYL TAN	102	2.42-2.03	4.25	7.5	7.25	6.7	15324984	-	-	15324984	0.162	-
12015899	D8	-	SILICONE METHYL/VINYL RED DK	103	1.7-1.29	4.25	7.5	7.25	6.7	15324983	-	-	15324983	0.171	-
12015323	04	AF	SILICONE METHYL/VINYL GREEN	101	2.85-2.03	4.25	7.5	7.25	6.7	15324982	-	-	15324982	0.150	-
12015193	03	AF	SILICONE METHYL/VINYL BLUE	102	4.3-3.45	4.25	7.5	7.25	6.7	15324981	-	-	15324981	0.122	-
12016293	11	AF	SILICONE METHYL/VINYL GRAY	102	3.49-2.81	4.25	7.5	7.25	6.7	15324980	-	-	15324980	0.142	-
12010117	B2	-	SILICONE METHYL/VINYL ORANGE	101	2.8-2.03	4.25	B	7.6	6.7	-	-	-	-	-	-

DIMENSIONAL RANGE (MM)	TOLERANCE	CHART REF
FROM > 0 TO > 30	> 0.15	1
> 30 TO > 70	> 0.20	2
> 70 TO > 100	> 0.30	3
> 100 TO > 150	> 0.40	4
> 150 TO > 200	> 0.50	5
> 200 TO > 300	> 0.60	6
> 300 TO > 400	> 0.70	7

DELPHI
DELPHI CORPORATION
TAXI SEAL CBL 1W M/P

DATE: 14-May-14

12010295

SIZE: A0
SCALE: 1:1
FRAME NO: 1 OF 2
SHEET NO: 1 OF 6
STG: R
N/P: 20