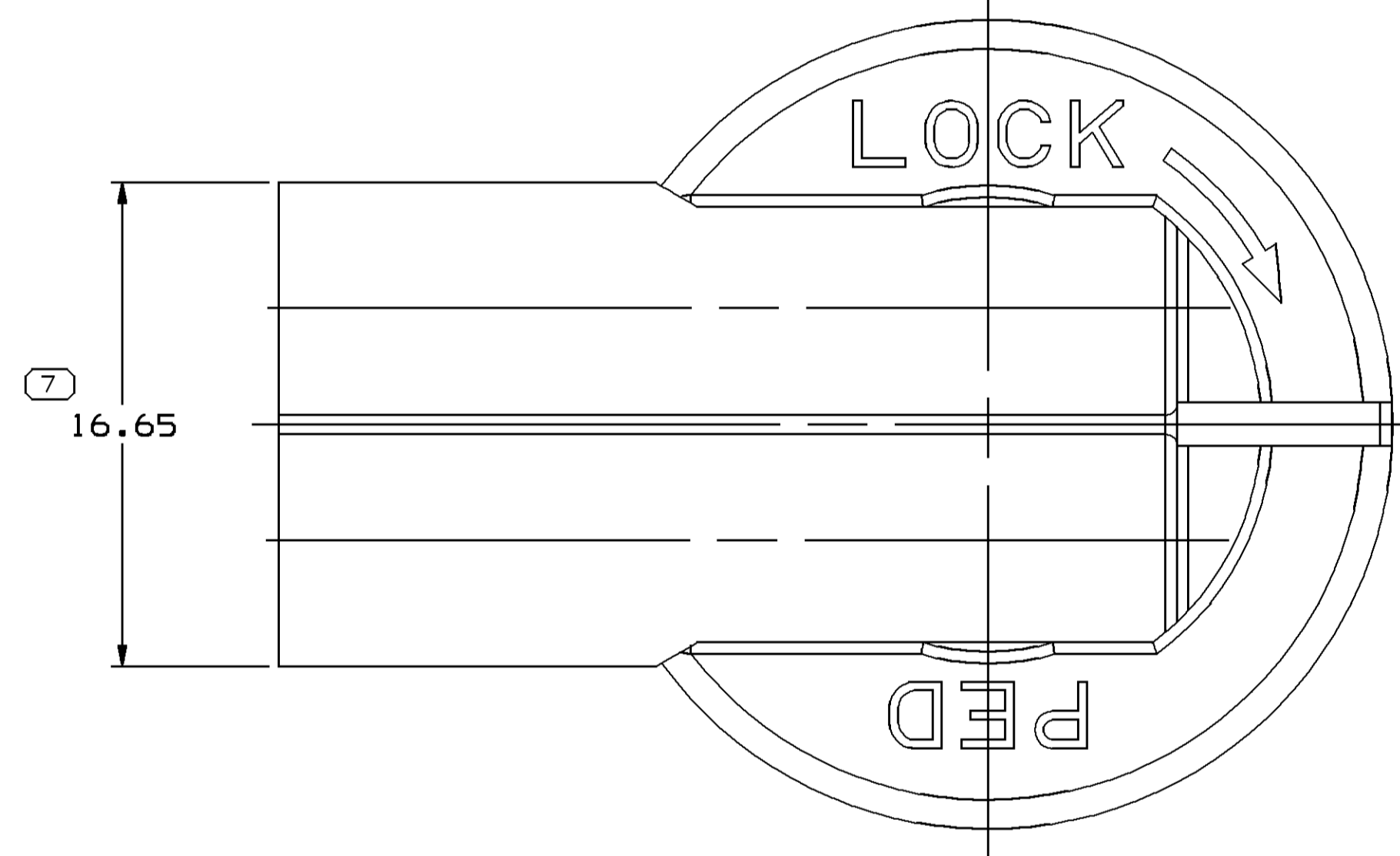
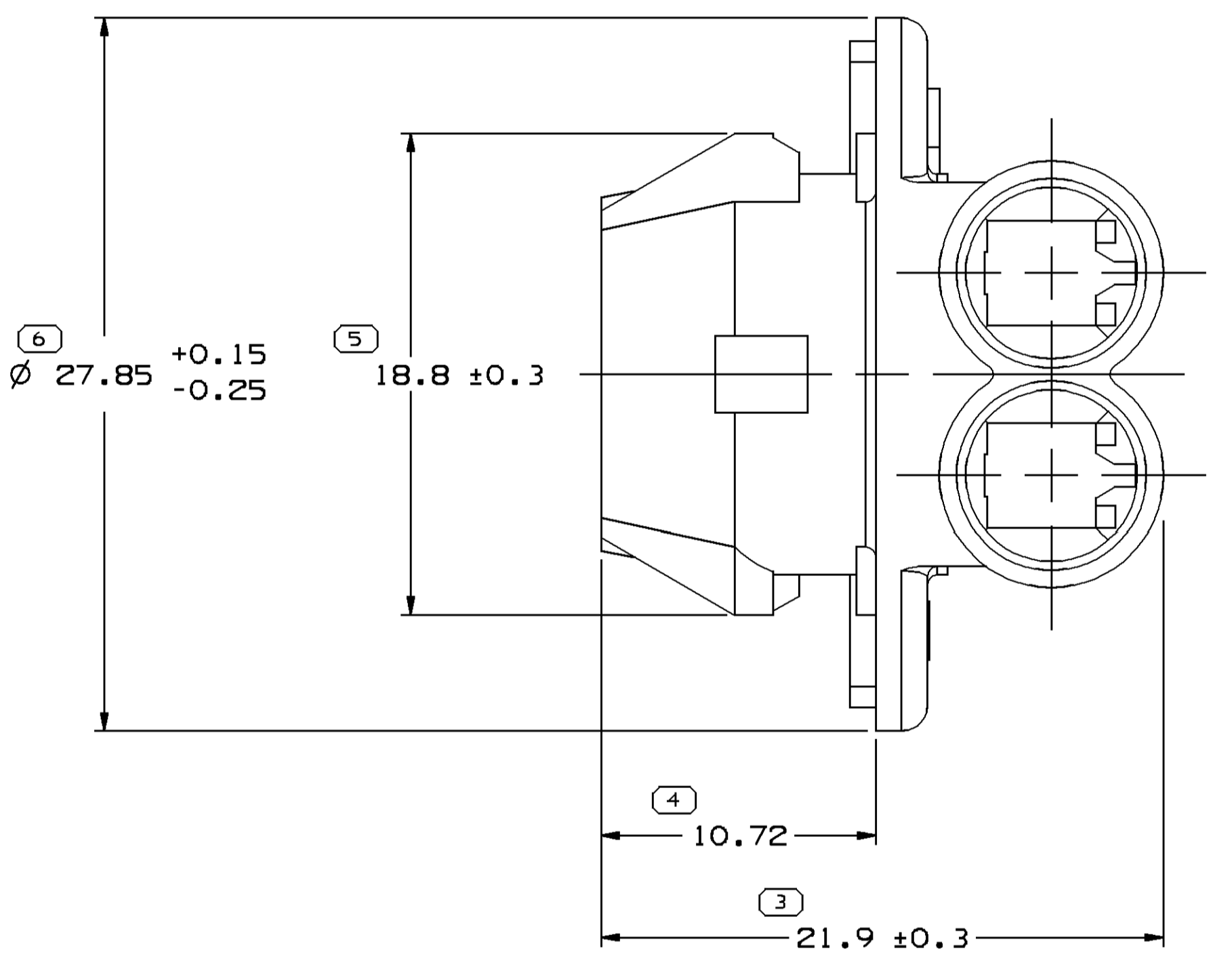
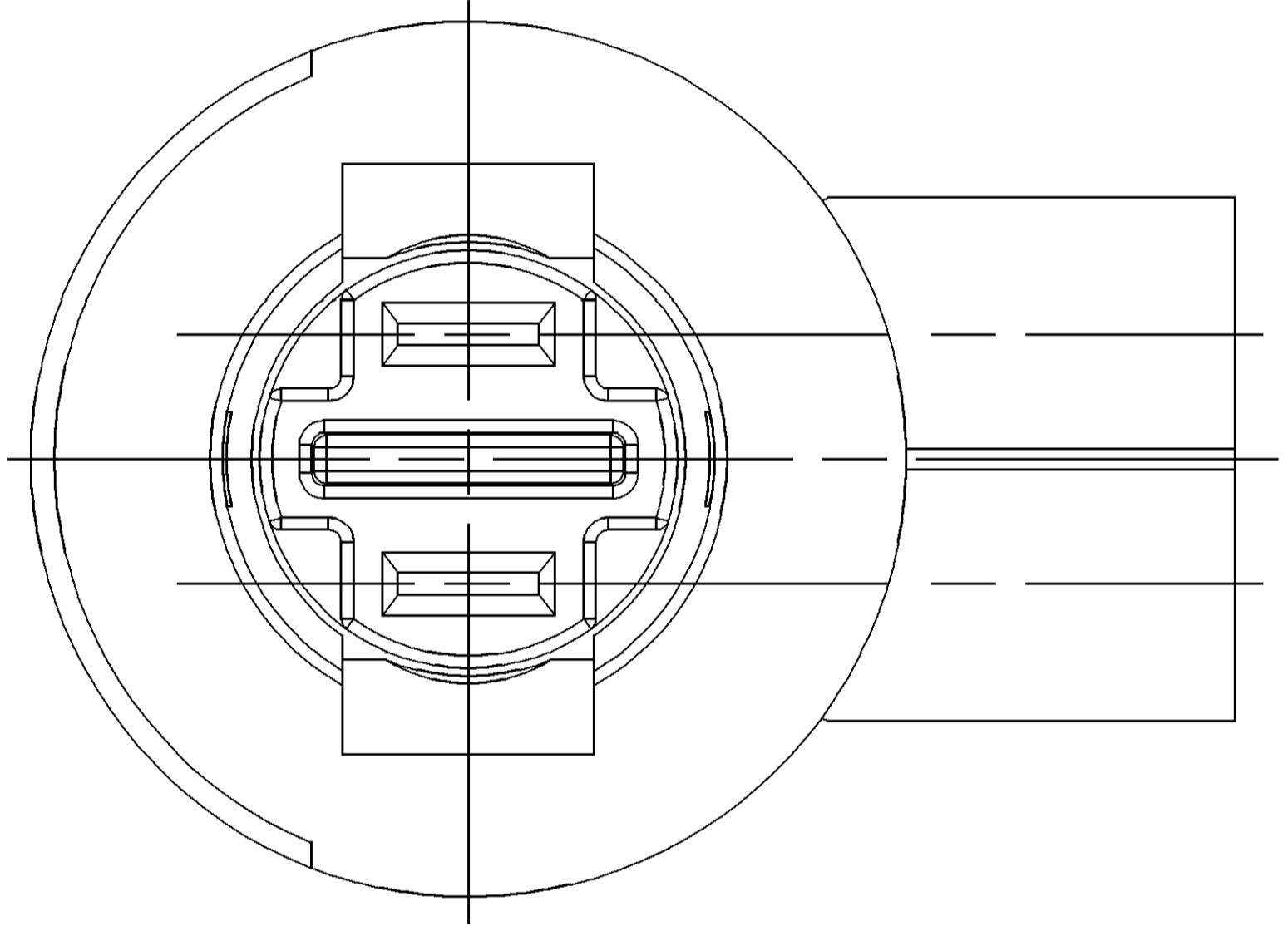
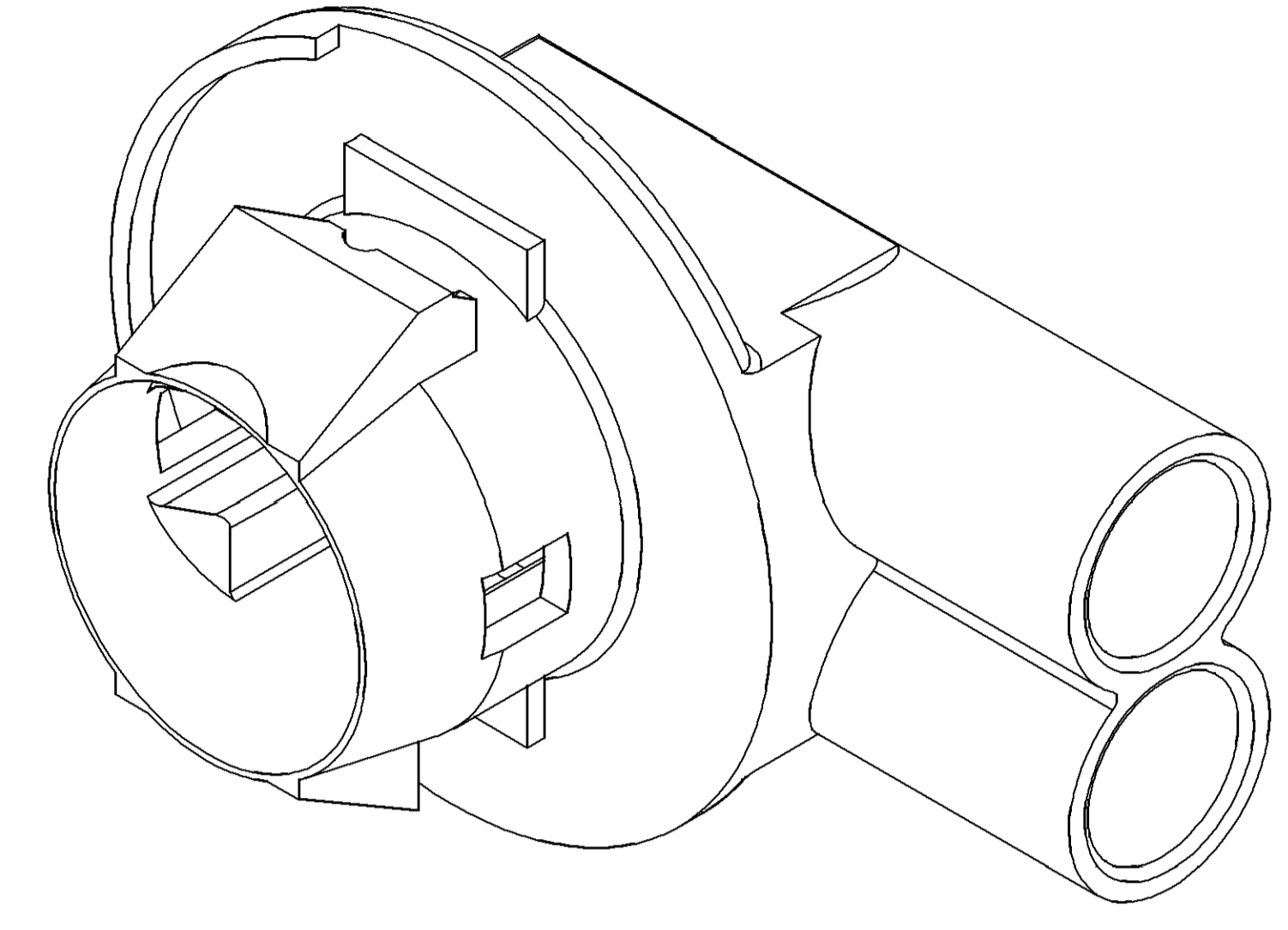
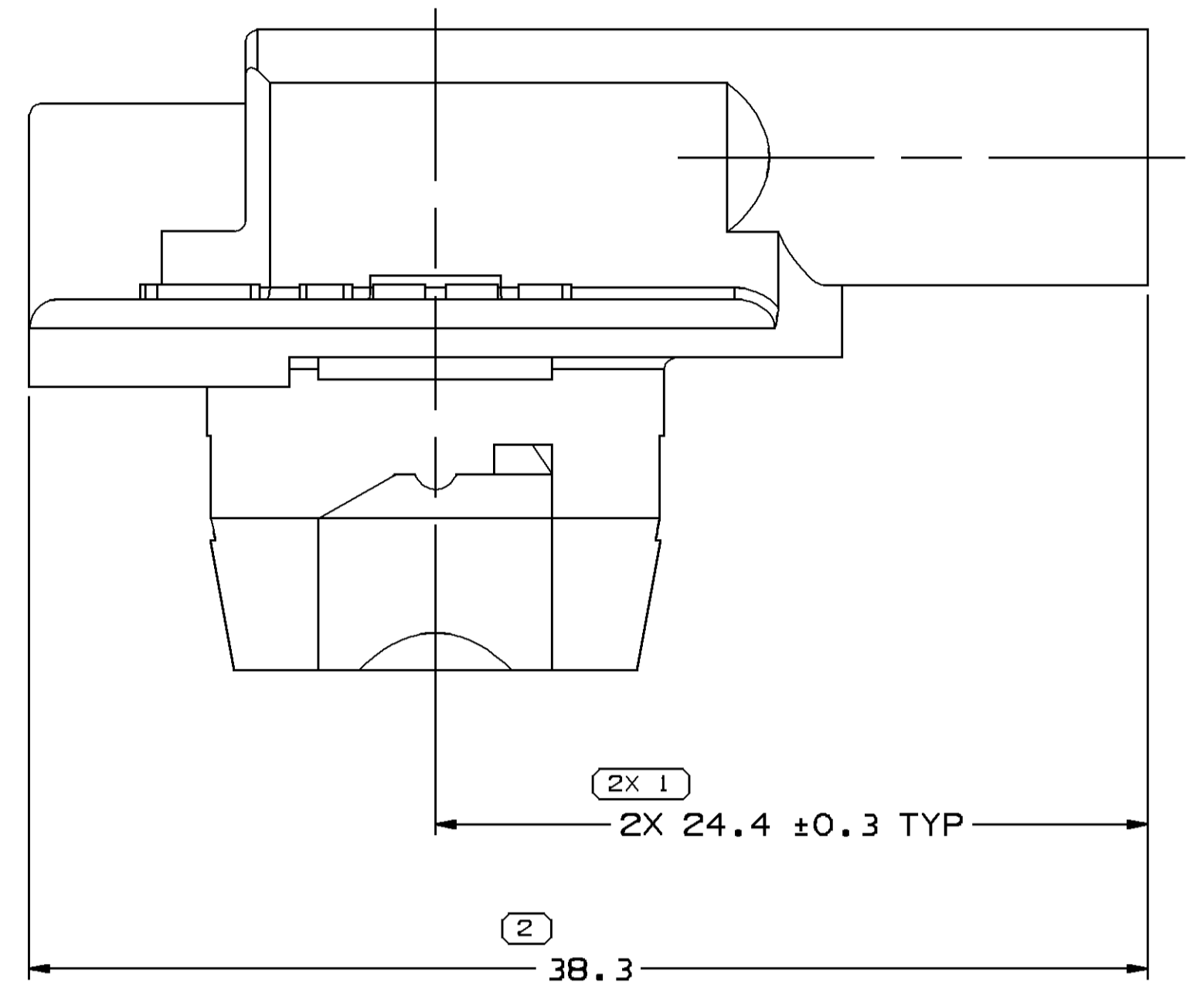


SYMBOL DEFINITION		MISSING SYMBOLS	
A DIMENSION WITHOUT AN INSPECTION REPORT SYMBOL DOES NOT REQUIRE INSPECTION. IT MAY BE CONTROLLED ON THE INDIVIDUAL COMPONENT DRAWING.	TOTAL NO OF INSPECTIONS REQUIRED	NO MISSING SYMBOL NUMBER	
	8		
	LAST NO. USED		
	7		

DWG STATUS				REVISION HISTORY				AUTH		DR		AP/VD	
DATE	STG	REV	N/P	CHG	ZONE								
23MY01	R	E4	-	-	-	REDRAWN TO PD				209782	JBR	EDV	RC
17FE09	R	ES	-	-	-	UPDATED MAT'L CALLOUT				407311	LHD	EVV	LHM



- NOTES
- UNLESS OTHERWISE SPECIFIED AND/OR INDICATED: DIMENSIONS ARE TO FACE OF VIEW SHOWN AND AUTOMATICALLY ROUNDED BY COMPUTER FOR INSPECTION (SEE MATH MODEL FOR PRECISE DIMENSIONS). FOR ALL OTHER DIMENSIONS NOT SHOWN BUT REQUIRED FOR TOOL BUILD, SEE MATH MODEL FOR PRECISE TOOL PATH DATA.
 - FOR APPLICATION DATA SEE THE APPLICATION DRAWING.

Dwg Type: PART DRAWING																					
Style: 3,894	DISTR CODE: D																				
UNLESS OTHERWISE SPECIFIED																					
THIS DOCUMENT IS IN ACCORDANCE WITH ASME Y14.5M-1994 AS AMENDED BY THE IN SUPPLEMENT. DIMENSIONS AND TOLERANCES ARE IN MILLIMETERS UNLESS OTHERWISE SPECIFIED. SEPARATE WRITINGS OF TOLERANCES MAY BE BASED SEPARATELY PER-ROLE OF DWTN REFERENCES.																					
ALL DIMENSIONS ARE IN MILLIMETERS																					
REFERENCE																					
<table border="1"> <thead> <tr> <th>DIMENSIONAL RANGE (MM)</th> <th>SHORT ET</th> </tr> </thead> <tbody> <tr> <td>FROM > 0</td> <td>> 30</td> </tr> <tr> <td>> 30</td> <td>> 70</td> </tr> <tr> <td>> 70</td> <td>> 100</td> </tr> <tr> <td>> 100</td> <td>> 150</td> </tr> <tr> <td>> 150</td> <td>> 200</td> </tr> <tr> <td>> 200</td> <td>> 250</td> </tr> <tr> <td>> 250</td> <td>> 300</td> </tr> <tr> <td>> 300</td> <td>> 400</td> </tr> </tbody> </table>		DIMENSIONAL RANGE (MM)	SHORT ET	FROM > 0	> 30	> 30	> 70	> 70	> 100	> 100	> 150	> 150	> 200	> 200	> 250	> 250	> 300	> 300	> 400		
DIMENSIONAL RANGE (MM)	SHORT ET																				
FROM > 0	> 30																				
> 30	> 70																				
> 70	> 100																				
> 100	> 150																				
> 150	> 200																				
> 200	> 250																				
> 250	> 300																				
> 300	> 400																				
<table border="1"> <thead> <tr> <th>TOLERANCE UNLESS OTHERWISE SPECIFIED</th> <th>ANGULAR TOLERANCE</th> </tr> </thead> <tbody> <tr> <td>±0.15</td> <td>±1</td> </tr> <tr> <td>±0.2</td> <td>±1.2</td> </tr> <tr> <td>±0.3</td> <td>±1.5</td> </tr> <tr> <td>±0.4</td> <td>±1.8</td> </tr> <tr> <td>±0.5</td> <td>±2.1</td> </tr> <tr> <td>±0.6</td> <td>±2.4</td> </tr> <tr> <td>±0.8</td> <td>±3.0</td> </tr> <tr> <td>±1</td> <td>±3.6</td> </tr> <tr> <td>±1.2</td> <td>±4.2</td> </tr> </tbody> </table>		TOLERANCE UNLESS OTHERWISE SPECIFIED	ANGULAR TOLERANCE	±0.15	±1	±0.2	±1.2	±0.3	±1.5	±0.4	±1.8	±0.5	±2.1	±0.6	±2.4	±0.8	±3.0	±1	±3.6	±1.2	±4.2
TOLERANCE UNLESS OTHERWISE SPECIFIED	ANGULAR TOLERANCE																				
±0.15	±1																				
±0.2	±1.2																				
±0.3	±1.5																				
±0.4	±1.8																				
±0.5	±2.1																				
±0.6	±2.4																				
±0.8	±3.0																				
±1	±3.6																				
±1.2	±4.2																				
THIRD ANGLE PROJECTION	DO NOT SCALE																				
USE MATH DATA	NX																				

DELPHI
DELPHI PACKARD ELECTRICAL/ELECTRONIC ARCHITECTURE
WYREN, OH

DR	DATE
APV01 J.GAVALDON	23MY01
APV02 E.VAZQUEZ	23MY01
APV03 R.CORZAS	23MY01
APV04	
APV05	

SUBSTANCES OF CONCERN AND RECYCLED CONTENT PER DELPHI 10949001

MATERIAL: POLYAMIDE COMPOUND GRAY

DRAWING NAME: CONN 2 F LP SOC WEDGE SLD W2

DRAWING NUMBER: 12146418

SIZE	SCALE	FRAME NO	SHEET NO	STG	REV	N/P
A0	5:1	1	1	1	R	ES