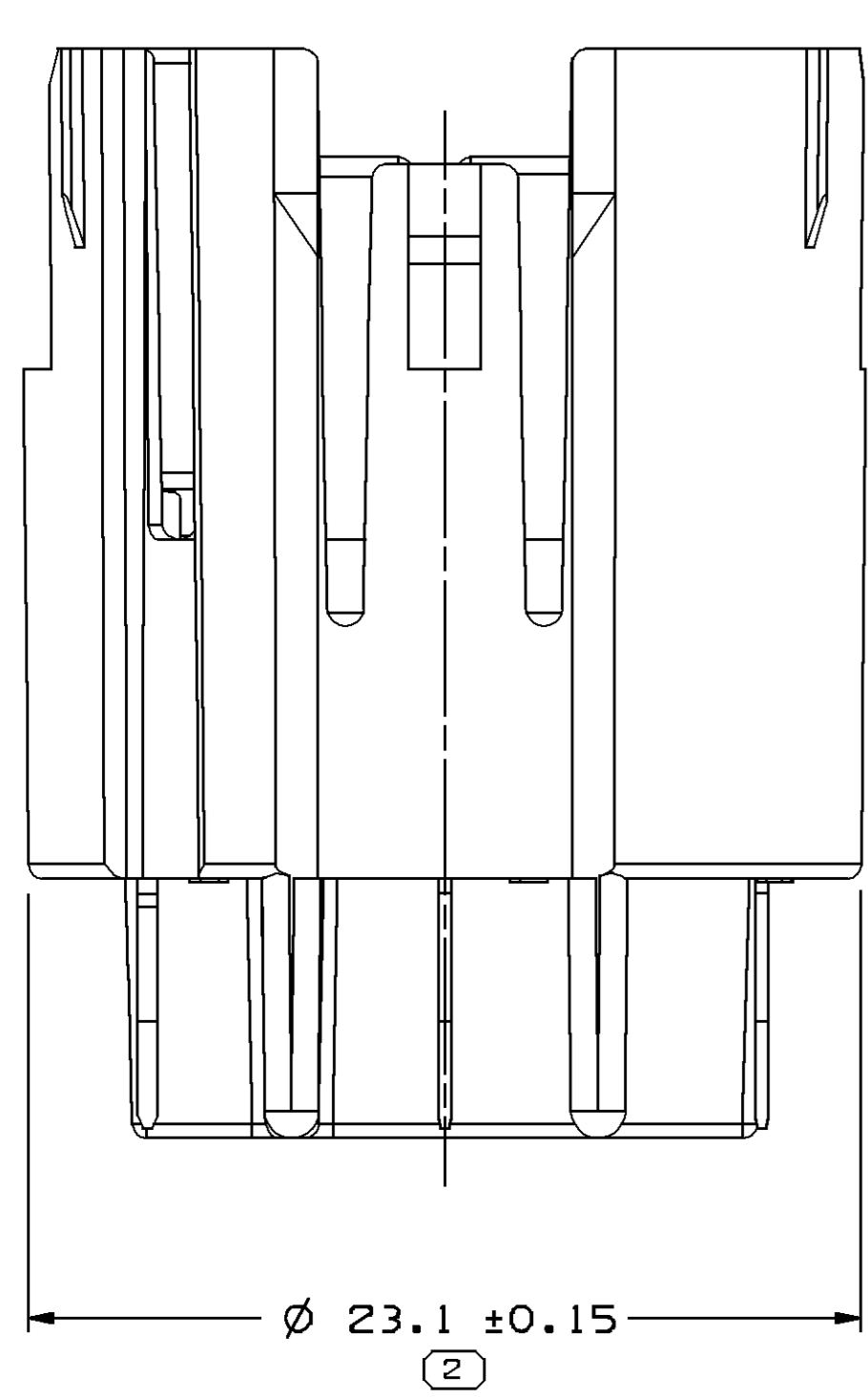
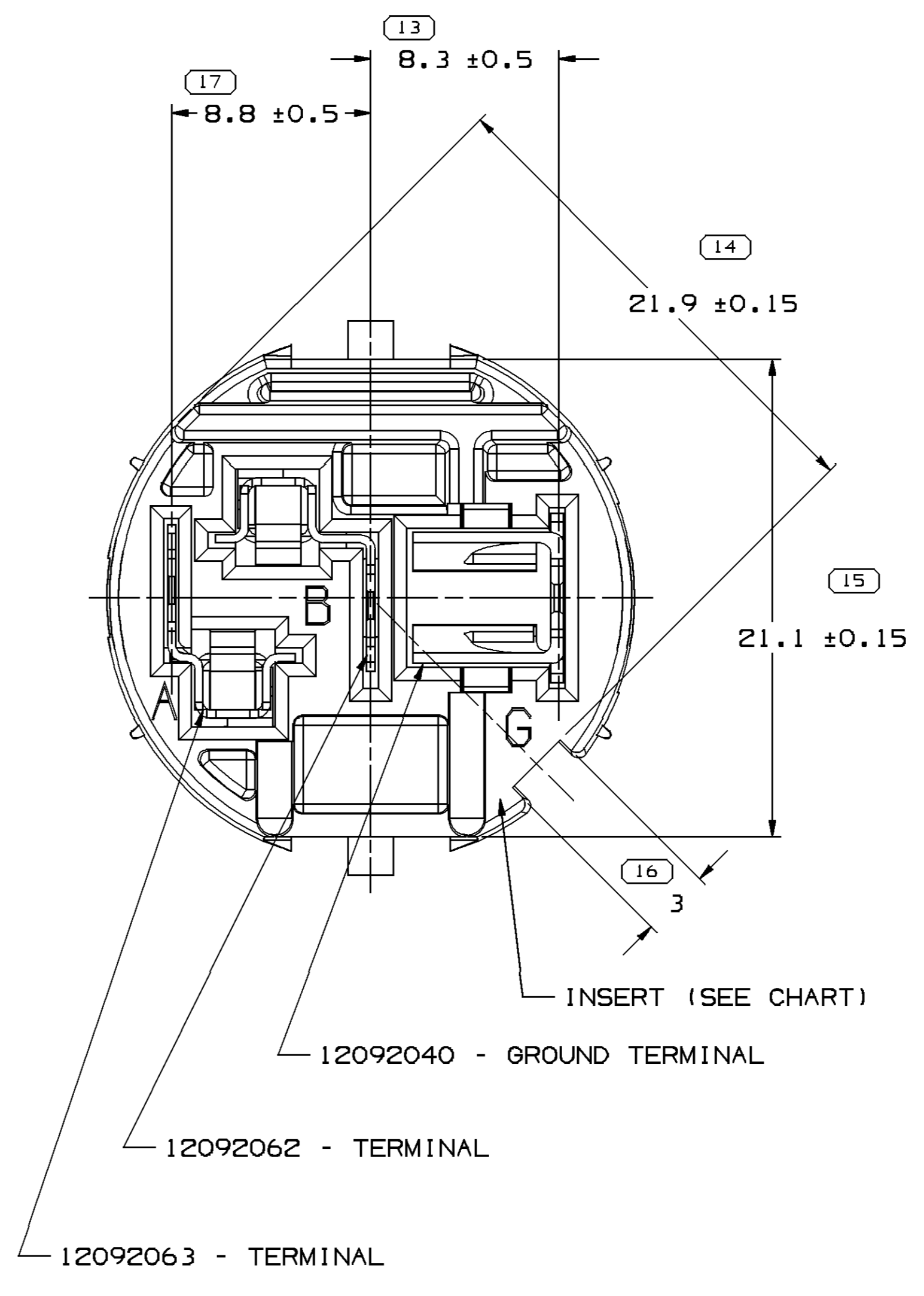
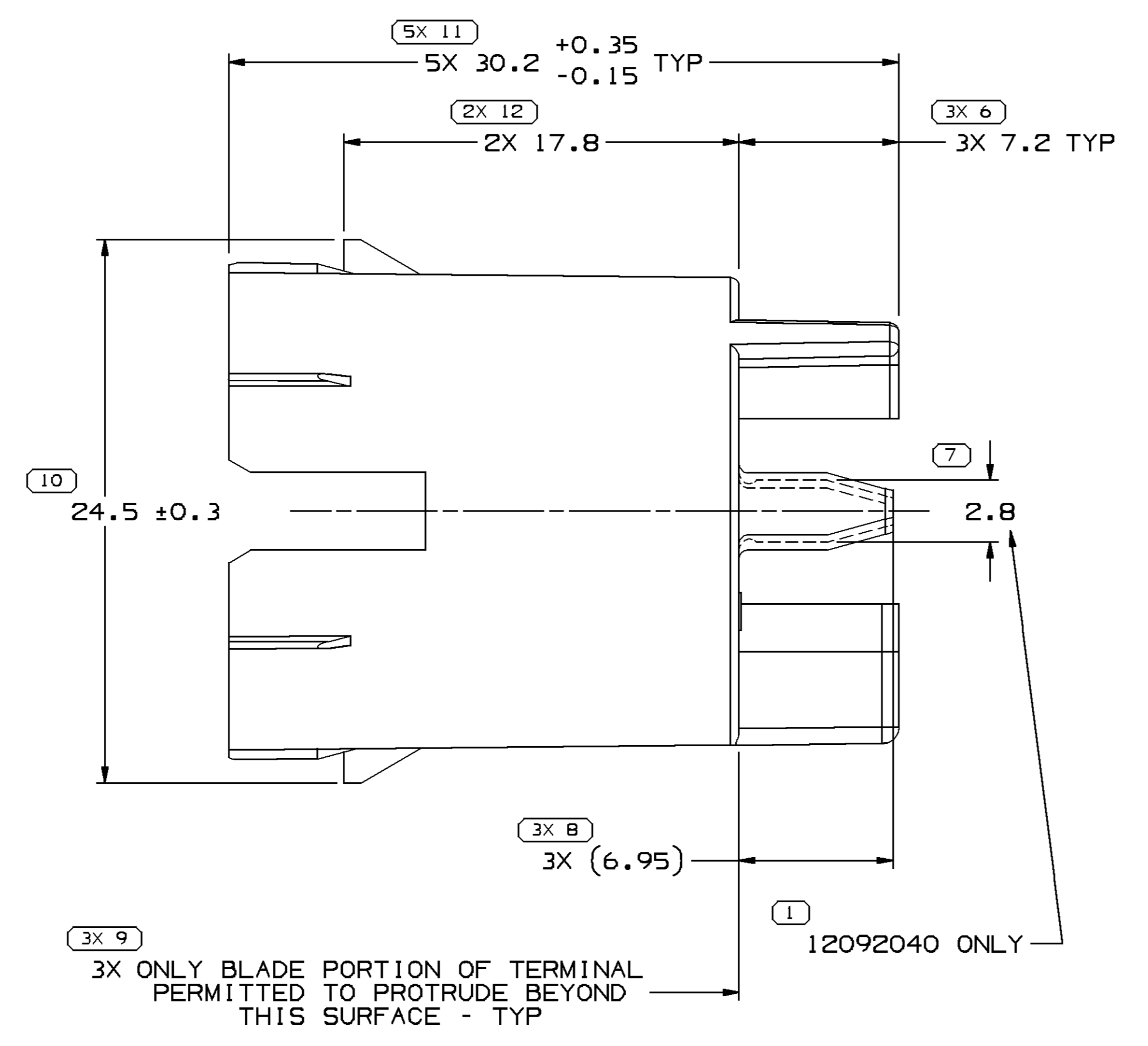
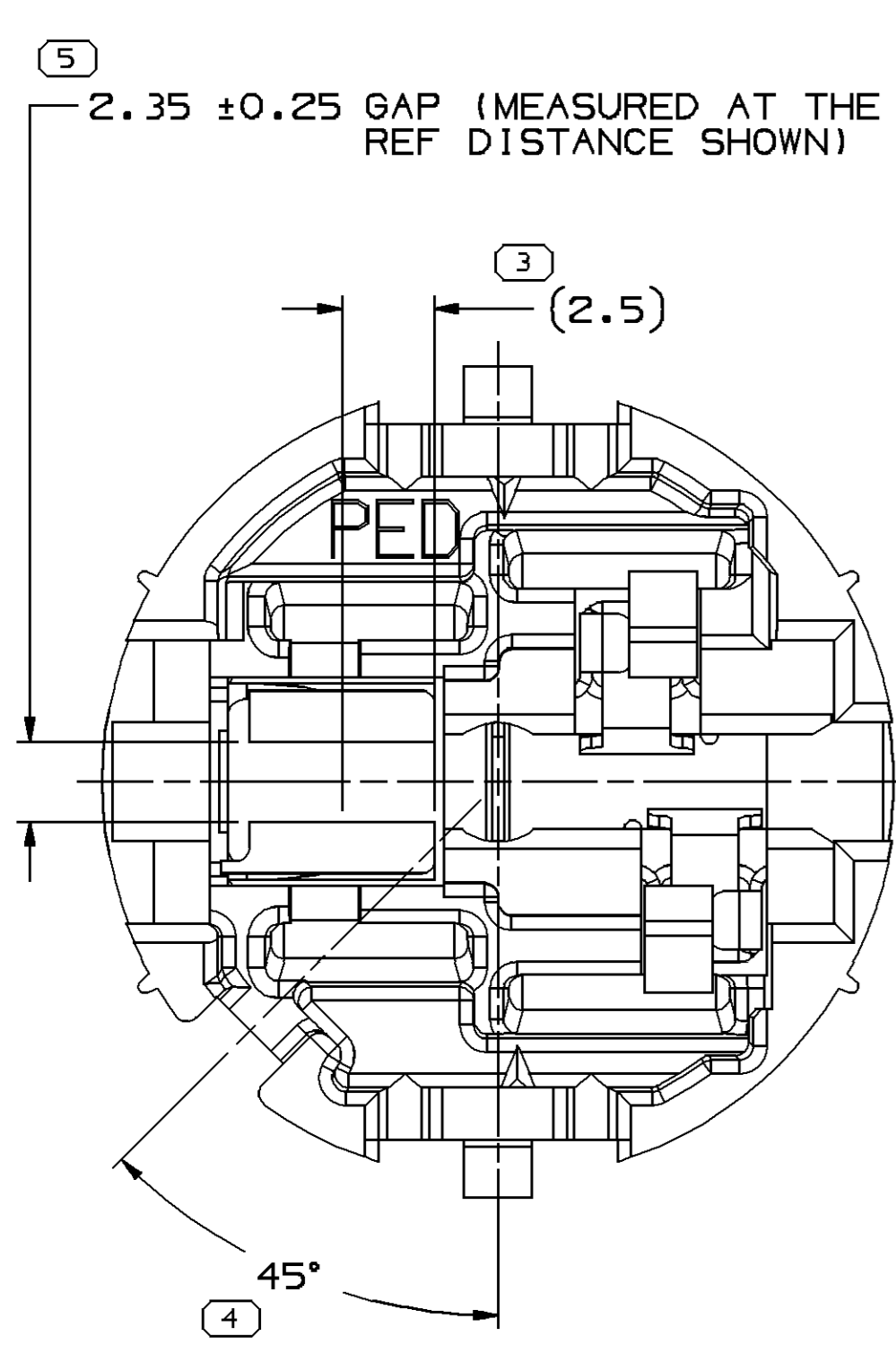
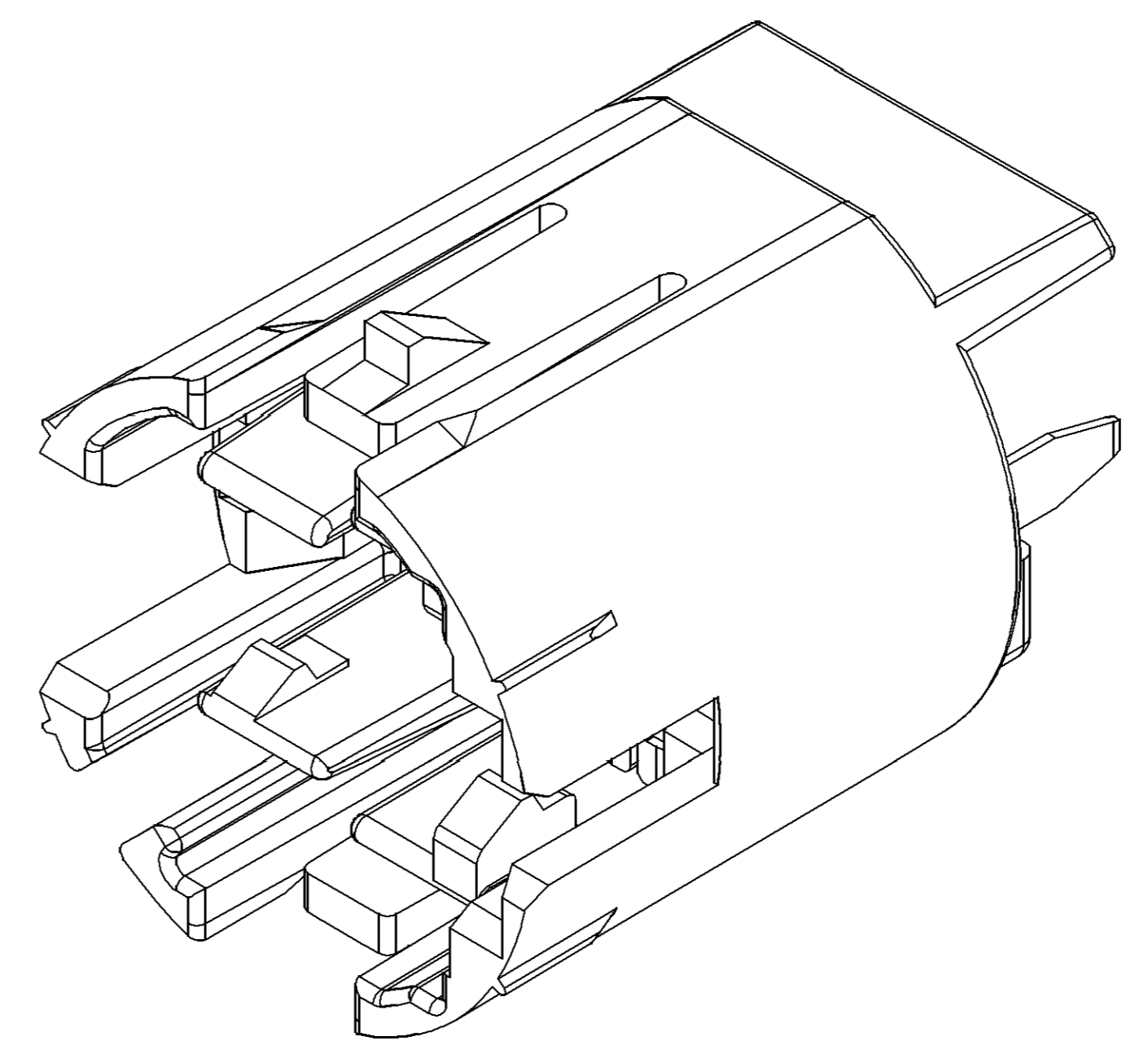


SYMBOL DEFINITION		TOTAL NO OF INSPECTIONS REQUIRED		LAST NO. USED	
A	DIMENSION WITHOUT AN INSPECTION REPORT SYMBOL DOES NOT REQUIRE INSPECTION. IT MAY BE CONTROLLED ON THE INDIVIDUAL COMPONENT DRAWING.	28		17	

MISSED SYMBOLS				REVISION HISTORY				AUTH		DR		AP/D	
DATE	STG	REV	N/P	CHG	ZONE								
23JA02	R	06	-	-		CLEARED REV COL: ALL ACTIVE PARTS - REVISED DIM PLACES (1 PLC)	219182	RVP	RVP	AL			
21JA02	R	07	-	-		ALL ACTIVE PARTS - REVISED GRAPHICS	218736	RVP	RVP	AL			
18AP02	R	08	-	-		ALL ACTIVE PARTS - REVISED GRAPHICS	224130	RVP	RVP	AL			
23JN03	R	09	-	-		12186433 - INACTIVE	241981	MAC	MAC	MEF			
28AP04	R	10	-	-		REVISED TERMINAL 12092040: DIM 23 CORRECTED (WAS B.41)	253560	LMB	LMB	BR			
10MR05	R	11	-	-		ALL ACTIVE PARTS - UPDATED PDM ATTRIBUTES	265400	CCV	JAA	MEF			
14AU06	R	12	-	-		12186433 - OBSOLETE	283319	CCV	JVM	MEF			
15FE08	R	13	-	-		12177163 - UPDATED INSPECTION SYMBOLS	403819	LHT	PYP	LHT			
27OC08	R	14	-	-		12177163 - COLOR OF INSERT WAS BEIGE	406461	PTG	MAC	PTG			



NOTES

- UNLESS OTHERWISE SPECIFIED AND/OR INDICATED:
DIMENSIONS ARE TO FACE OF VIEW SHOWN AND AUTOMATICALLY ROUNDED BY COMPUTER FOR INSPECTION (SEE MATH MODEL FOR PRECISE DIMENSIONS). FOR ALL OTHER DIMENSIONS NOT SHOWN BUT REQUIRED FOR TOOL BUILD, SEE MATH MODEL FOR PRECISE TOOL PATH DATA.
- TERMINAL RETENTION 25N MIN IN CAVITY "G".
- TERMINAL RETENTION 10N MIN IN CAVITIES "A" AND "B".
- (1.7)X(0.1) DELPHI CORPORATE BRAND TO BE LOCATED ON ANY EXTERIOR SURFACE, PREFERABLY VISIBLE AT FINAL ASSEMBLY. OPTIONAL CONSTRUCTION TO BE "PED" OR NO LOGO.
- THIS PRODUCT IS NOT CATEGORIZED AS AN APPEARANCE ITEM. MINOR IMPERFECTIONS INCLUDING, BUT NOT LIMITED TO, FLOW MARKS, COLOR BLEMISHES, GATE VESTIGES, AND SOFT FLASH THAT DO NOT AFFECT THE FIT, FORM, OR FUNCTION OF THE PART ARE PERMISSIBLE PER NAF 4.10-18.

PART DRAWING		
STYLE		
VOLUME 10/11	DIBIT CODE	
	D	
UNLESS OTHERWISE SPECIFIED		
THIS DOCUMENT IS IN ACCORDANCE WITH ASME Y14.5M-1994 AS AMENDED BY THE 2003 DIMENSIONING AND TOLERANCE PRACTICE (Y14.5M-2003). ALL DIMENSIONS UNLESS OTHERWISE SPECIFIED ARE IN MILLIMETERS. DIMENSIONS NOT SPECIFIED IN THIS DRAWING ARE TO BE TAKEN FROM THE PART UNLESS OTHERWISE SPECIFIED. DIMENSIONS NOT SPECIFIED IN THIS DRAWING ARE TO BE TAKEN FROM THE PART UNLESS OTHERWISE SPECIFIED. DIMENSIONS NOT SPECIFIED IN THIS DRAWING ARE TO BE TAKEN FROM THE PART UNLESS OTHERWISE SPECIFIED.		
ALL DIMENSIONS ARE IN MILLIMETERS		
DIMENSIONAL RANGE (MM)		
FROM	TO	SHORT ET
> 0	> 30	> 70
> 30	> 70	> 100
> 70	> 100	> 150
> 100	> 150	> 200
> 150	> 200	> 250
> 200	> 250	> 300
> 250	> 300	> 400
TOLERANCE UNLESS OTHERWISE SPECIFIED		
±0.15	±0.2	±0.3
±0.4	±0.5	±0.6
±0.8	±1	±1.2
ANGULAR TOLERANCE 2°		
THIRD ANGLE PROJECTION		DO NOT SCALE
USE MATH DATA		NX

DELPHI
DELPHI PACKARD ELECTRICAL/ELECTRONIC ARCHITECTURE
WARREN, OH

DR	DATE
APV01 HENRY HOKE	16MY96
APV02 HENRY HOKE	16MY96
APV03 G. RINEHART	21MY96
APV04	
APV05	

UNLESS OTHERWISE SPECIFIED
SUBSTANCES OF CONCERN AND RECYCLED CONTENT PER DELPHI 10949001

DRAWING NAME
TAXI ASM LOCK INSERT
LP SOC WGE BSE #3

DRAWING NUMBER
12186472

SCALE: 5:1
FRM: 1 OF 1
SHT: 1 OF 1
REV: R 14

ASSEMBLY NO	REV	N/P	STATUS	INSERT	COLOR	MATING LP SOCKET BODY
15354863	A2		INACTIVE	15354862	NAT	15354864 OR 15354865
12186433	04	AB	OBSOLETE	12186431	BLK	12186254
12177163	05	AC		12177162	CRM	12160394 OR 12160395

Date: 08-Dec-08 Time: 07:44