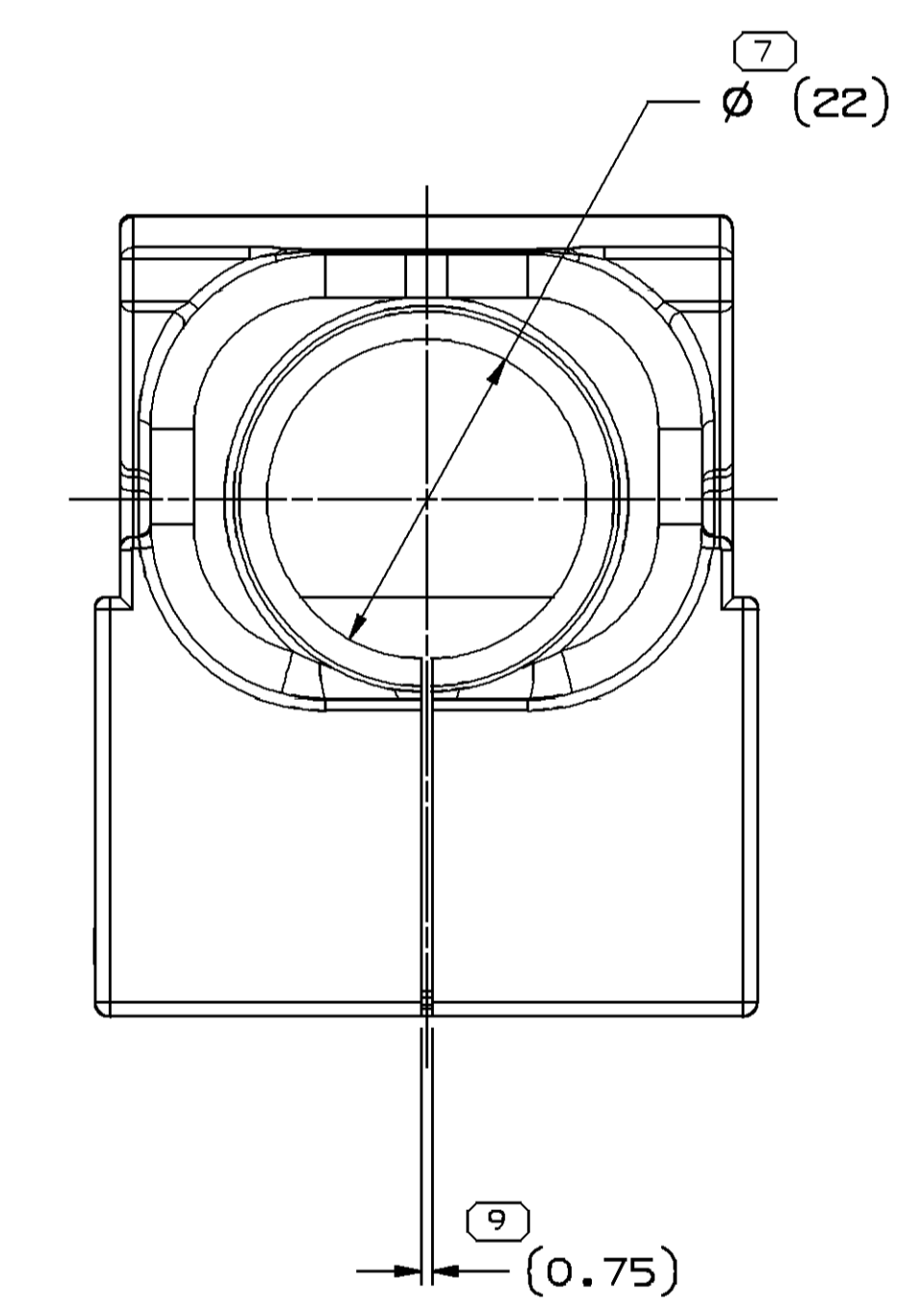
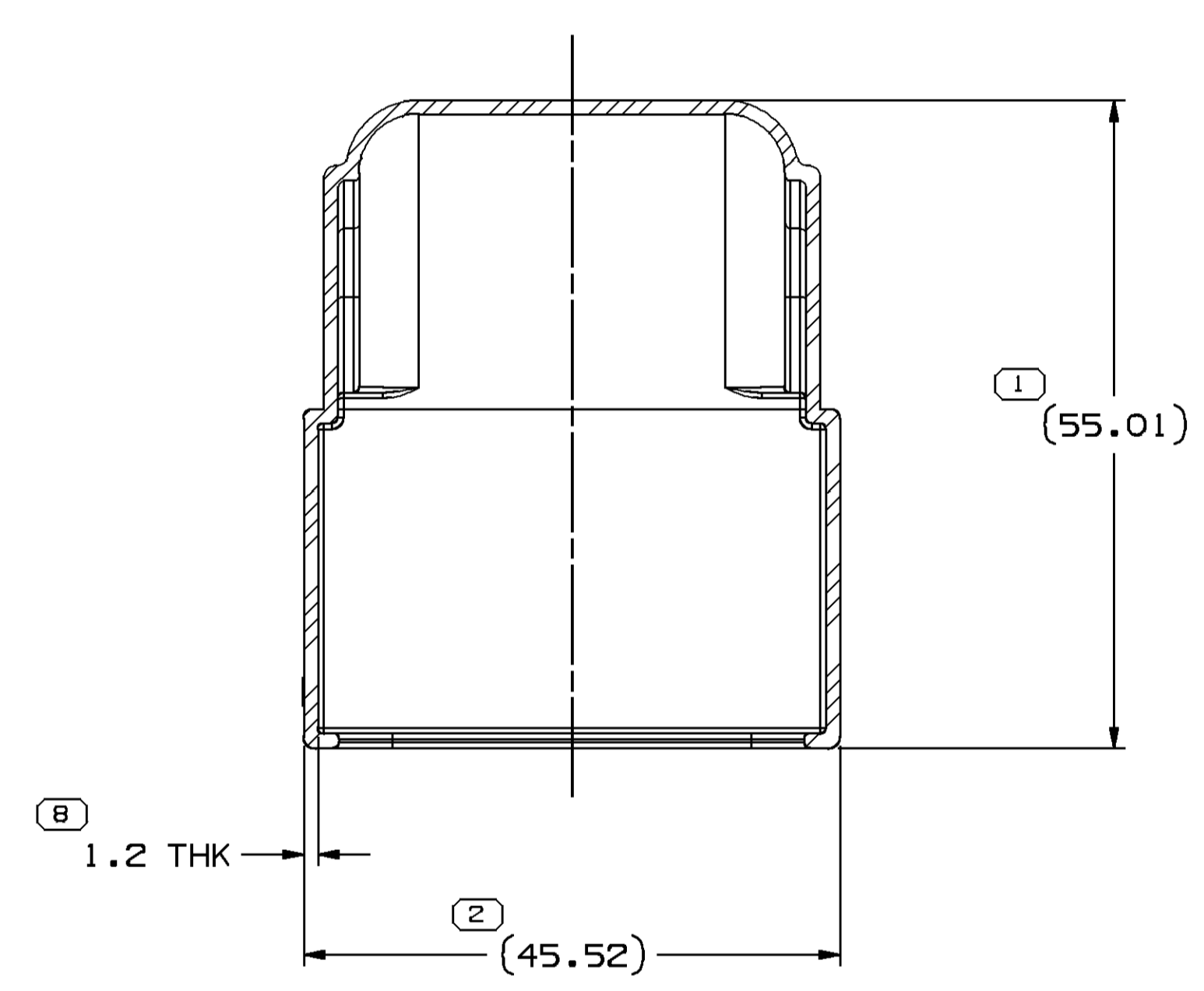
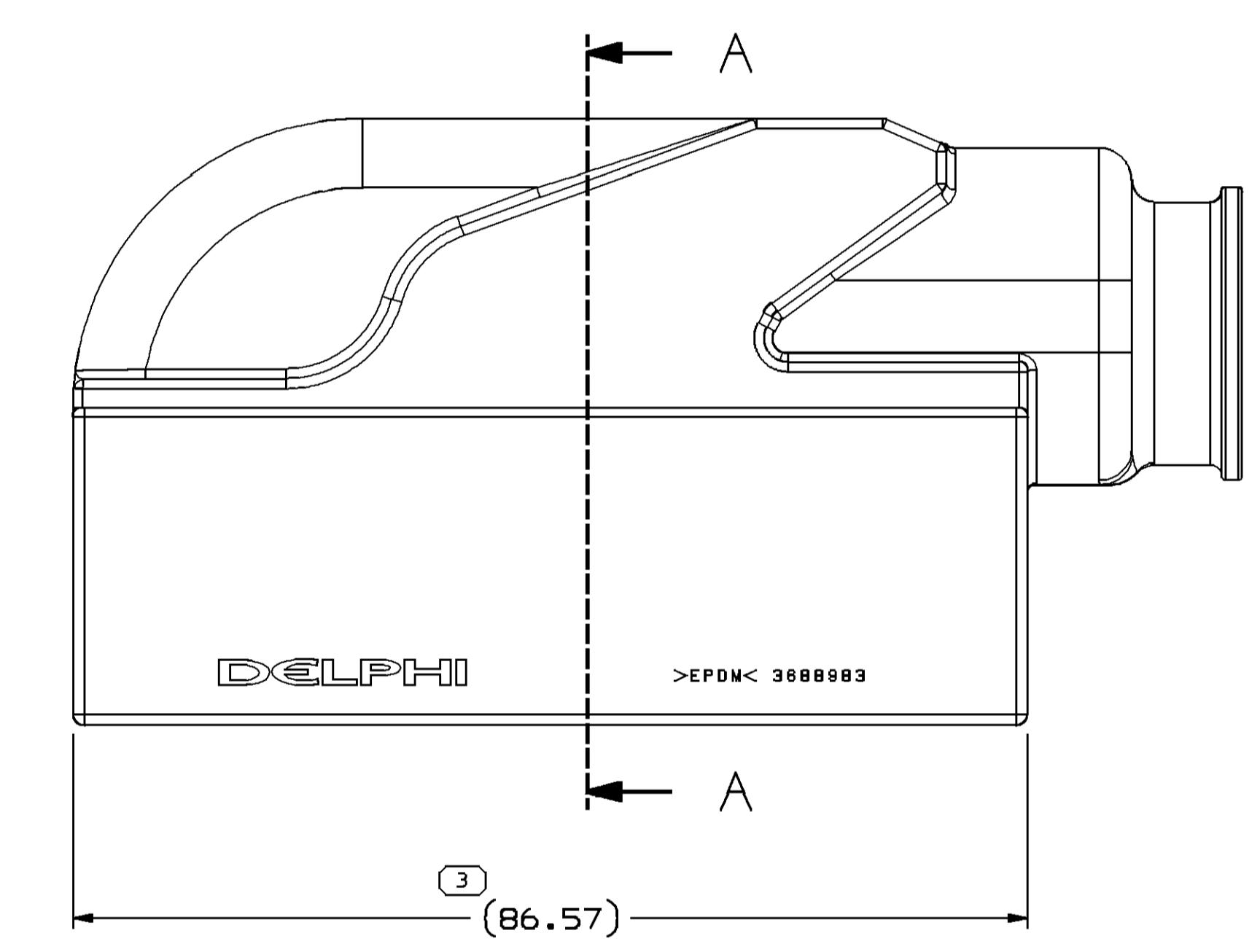
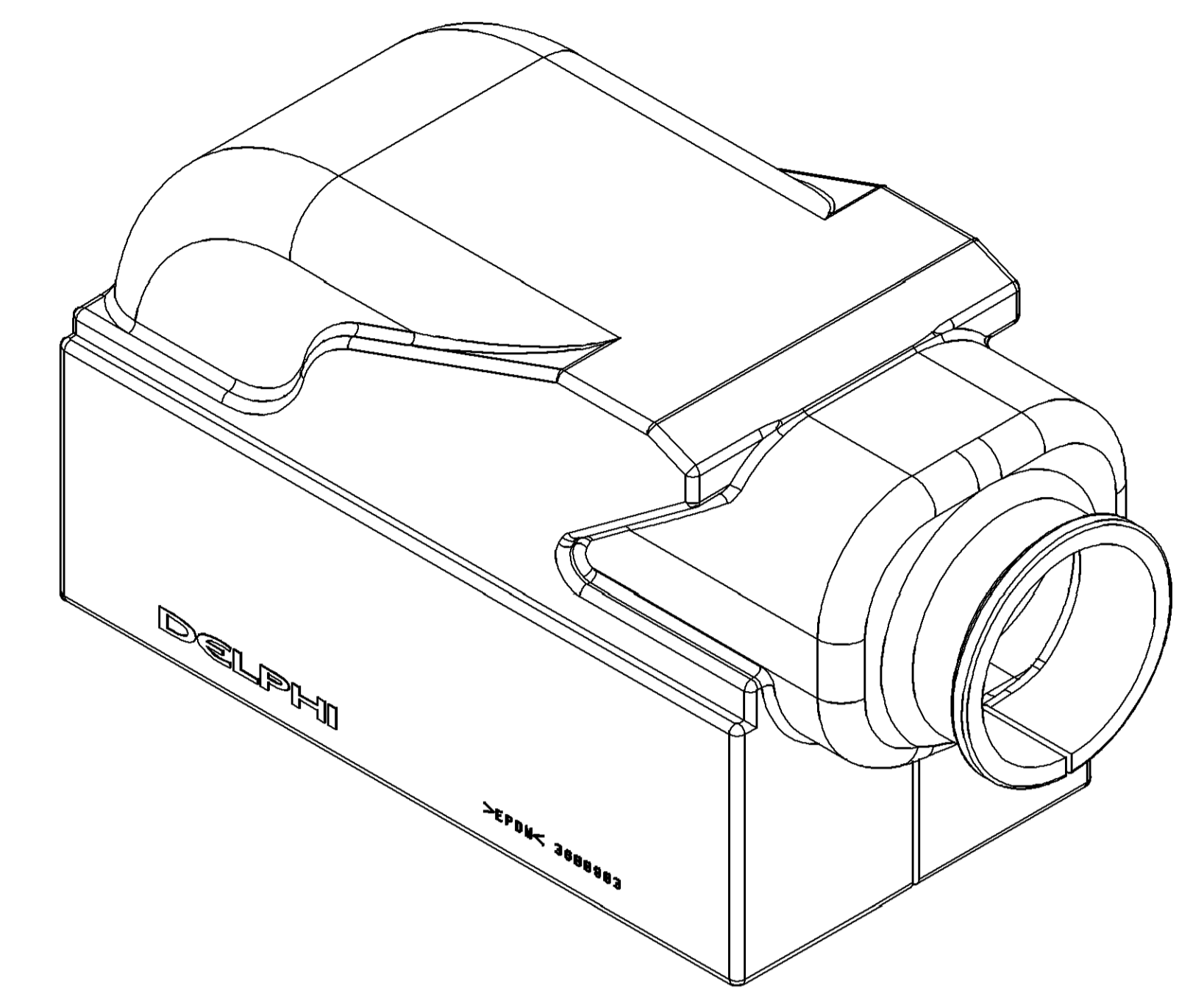
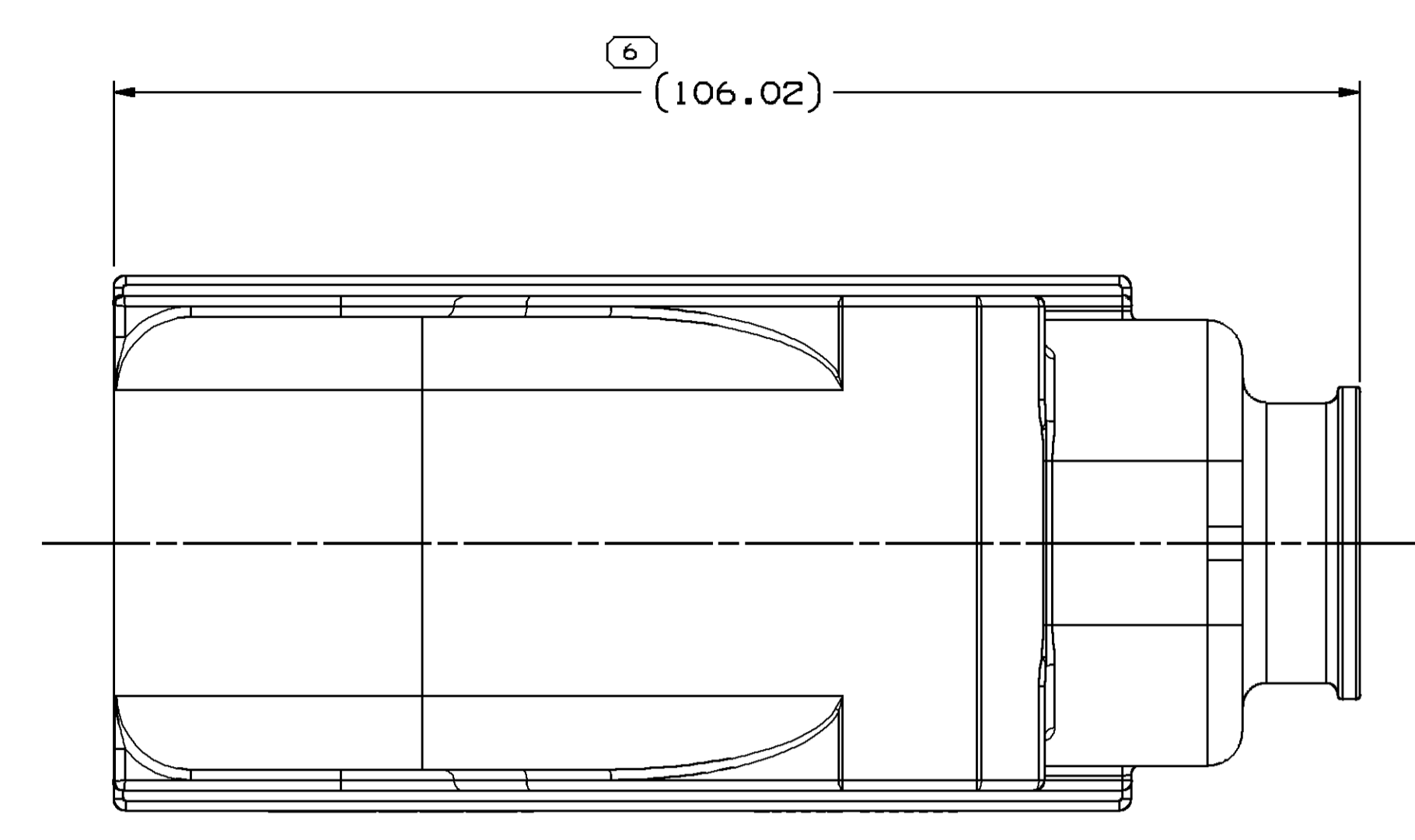
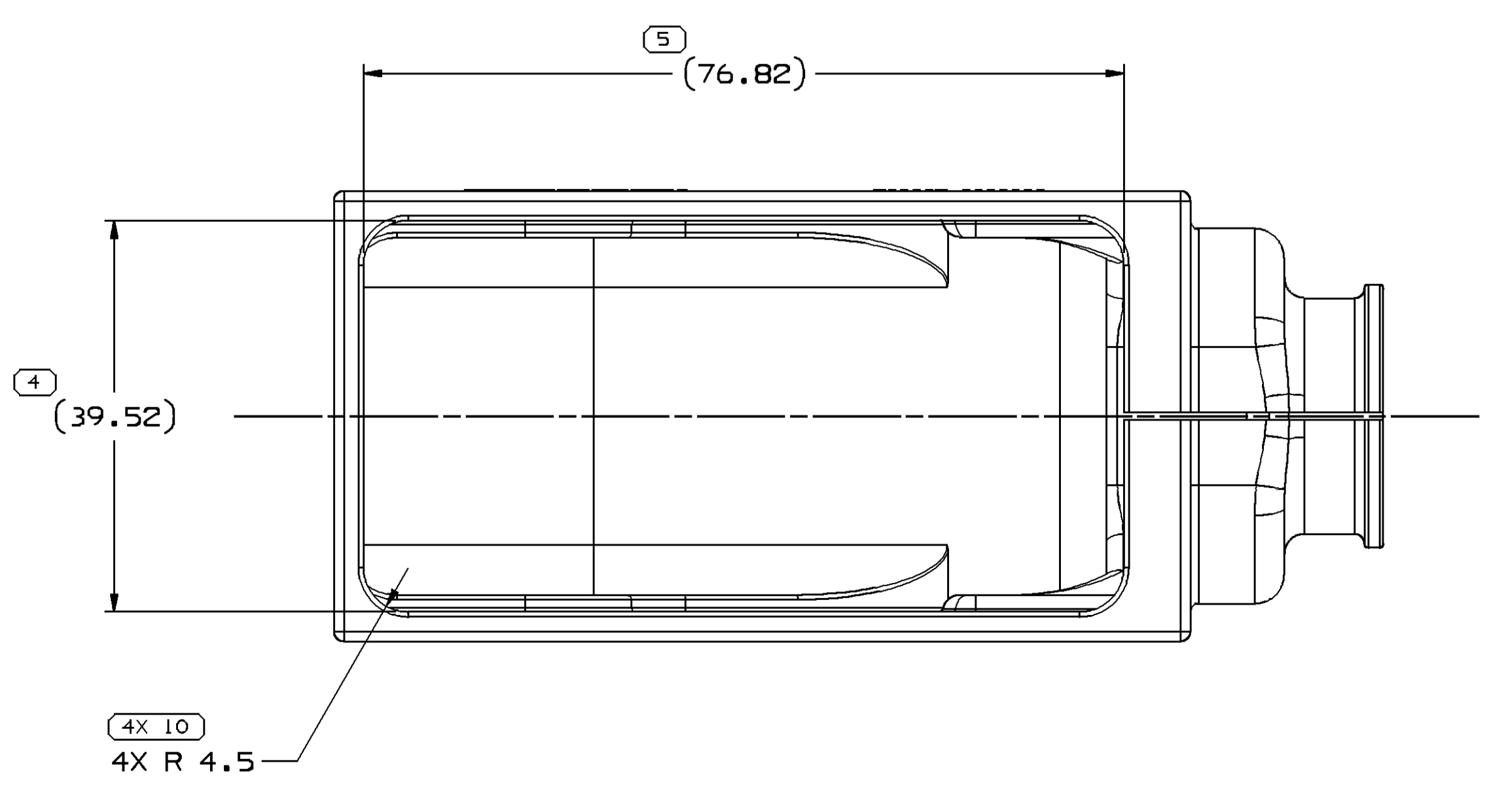


SYMBOL DEFINITION		TOTAL NO OF INSPECTIONS REQUIRED		MISSING SYMBOL NUMBER	
A	DIMENSION WITHOUT AN INSPECTION REPORT SYMBOL DOES NOT REQUIRE INSPECTION. IT MAY BE CONTROLLED ON THE INDIVIDUAL COMPONENT DRAWING.		13		
		LAST NO. USED	10		

DWS STATUS						REVISION HISTORY				AUTH		DR		AP/VD	
DATE	STG	REV	IVP	CHG	ZONE										
20.JN12	R	01	-	-		WAS PE235739 AND RELEASED PART DRAWING				418582	AHT	JAA	APR		
26.JN12	R	01	AA	-		CREATED TOOL QUALIFICATION DRAWING				418662	AGM	AGM	APR		
06.AU12	R	01	AB	-		REVISED GRAPHICS				419112	JCF	MAB	APR		
31.AU12	R	01	AC	-		UPDATED PDM ATTRIBUTES				419502	APR	APR	APR		
06.SE12	R	01	AD	-		UPDATED DIM (55.01) WAS 55.01, DIM 145.521 WAS 45.52, DIM (86.57) WAS 86.57, DIM (39.52) WAS 39.52, DIM (76.28) WAS 76.28, DIM (106.02) WAS 106.02, DIM (22) WAS 22, DIM (0.75) WAS 0.75, ADDED DIM 4X R 4.5 AND ADDED NOTE 3.				419567	APR	APR	APR		
20.SE12	R	01	AE	-		UPDATED DELPHI LOGO & RECYCLING CODE POSITION & UPDATED NOTES				419720	APR	APR	APR		
05.FE13	R	01	AF	-		UPDATED PDM ATTRIBUTES				421352	APR	APR	APR		



SECTION A - A



- NOTES
- UNLESS OTHERWISE SPECIFIED AND/OR INDICATED:  
DIMENSIONS ARE TO FACE OF VIEW SHOWN AND AUTOMATICALLY ROUNDED BY COMPUTER FOR INSPECTION (SEE MATH MODEL FOR PRECISE DIMENSIONS). FOR ALL OTHER DIMENSIONS NOT SHOWN BUT REQUIRED FOR TOOL BUILD, SEE MATH MODEL FOR PRECISE TOOL PATH DATA.
  - MATERIAL RECYCLING CODE PER ISO 11469. (2.3X10.1) CHARACTERS AS SHOWN TO BE LOCATED ON ANY EXTERIOR SURFACE.
  - (2.3X10.1) DELPHI CORPORATE BRAND TO BE LOCATED ON ANY EXTERIOR SURFACE, PREFERABLY VISIBLE AT FINAL ASSEMBLY. OPTIONAL CONSTRUCTION FOR EXISTING TOOLING MAY BE "PED".
  - THIS PRODUCT IS NOT CATEGORIZED AS AN APPEARANCE ITEM, MINOR IMPERFECTIONS INCLUDING, BUT NOT LIMITED TO, FLOW MARKS, COLOR BLEMISHES, GATE VESTIGE, AND SOFT FLASH THAT DO NOT AFFECT THE FIT, FORM, OR FUNCTION OF THE PART ARE PERMISSIBLE PER DPNP-4.7-CS-01.
  - DIMS 10 & 8 MUST BE MEASURED WHILE GROMMET SITTING ON TOP OF ASSM FORMED BY: 13781987 AND 15494614.

DIMENSIONAL RANGE (MM)		CHART		CT	
FROM	TO	>25	>60	>80	>80
TO	25	25	60	80	80
TOLERANCE UNLESS OTHERWISE SPECIFIED					
±0.3		±0.5		±0.6	
±0.3		±0.5		±0.750	
ANGULAR TOLERANCE ±2°					

LINE DRAWN THROUGH A PART NUMBER	
INDICATES THAT PHYSICAL PARTS ARE NOT AVAILABLE FOR ORDERING.	
PART NUMBERS THAT DO NOT HAVE A LINE PRESENT INDICATE THAT PHYSICAL PARTS ARE AVAILABLE FOR ORDERING.	
CONTACT DELPHI SALES TO ASSURE AVAILABILITY OF PARTS.	
DWG TYPE	PART DRAWING
STYLE	
VOLUME (QTY)	21,653
DISTR CODE	D
UNLESS OTHERWISE SPECIFIED	
THIS DOCUMENT IS IN ACCORDANCE WITH ASME Y14.5M-1994 AS MODIFIED BY THE 3D MODEL DIMENSIONING AND TOLERANCING ADDENDUM-2001. SEPARATE PATTERNS OF FEATURES MAY BE SHOWN SEPARATELY, RESPECTIVE OF DATUM REFERENCES.	
ALL DIMENSIONS ARE IN MILLIMETERS	
REFERENCE	
THIRD ANGLE PROJECTION	DO NOT SCALE USE MATH DATA

**DELPHI**  
DELPHI PACKARD ELECTRICAL/ELECTRONIC ARCHITECTURE  
WARREN, OH  
COPYRIGHT 2012 DELPHI CORPORATION AND/OR ITS AFFILIATES. ALL RIGHTS RESERVED.

THIS DRAWING IS THE PROPERTY OF DELPHI CORPORATION AND CONTAINS DELPHI CONFIDENTIAL INFORMATION. THE REPRODUCTION, DISTRIBUTION AND UTILIZATION OF THIS DOCUMENT OR ITS CONTENTS TO ANY OTHERS, WITHOUT EXPRESS AUTHORIZATION, IS PROHIBITED.

OR	DATE
AP/01 MA, ANTONIETA HDZ	20.JN12
AP/02 J.S. ALVARADO	20.JN12
AP/03 ALEJANDRA PAYAN	20.JN12
AP/04	

SUBSTANCE(S) OF CONCERN AND RECYCLED CONTENT PER DELPHI 10949001

MATERIAL: ETHYLENE PROPYLENE DIENE BLACK

DRAWING NAME: GROM CONN

DRAWING NUMBER: 13957208

SIZE	SCALE	FRAME NO	SHEET NO	STG	REV	IVP
A0	2:1	1	1	1	01	AF