

PLEASE CHECK WWW.MOLEX.COM FOR LATEST PART INFORMATION

Part Number: [0015040219](#)
Status: **Active**
Overview: [KK Interconnect Solutions](#)
Description: 3.96mm Pitch KK Polarizing Key without Boss

Documents:

3D Model	3D Model (PDF)
Drawing (PDF)	RoHS Certificate of Compliance (PDF)

General

Product Family	Accessories
Series	2560
Component Type	Polarizing Key
Overview	KK Interconnect Solutions
Product Name	KK 396
UPC	800753605404

Physical

Circuits (Loaded)	1
Circuits (maximum)	1
Color - Resin	Natural
Lock to Mating Part	No
Material - Resin	Nylon
Net Weight	0.037/g
Packaging Type	Bag

Solder Process Data

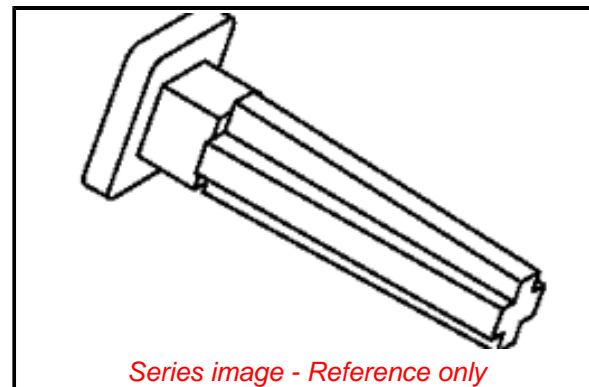
Lead-freeProcess Capability	N/A
-----------------------------	-----

Material Info

Engineering Number	2560-1
--------------------	--------

Reference - Drawing Numbers

Sales Drawing	SD-2560
---------------	---------



EU ELV

Not Relevant

EU RoHS

Compliant

REACH SVHC

Not Contained Per -
D(2020)9139-DC (19
Jan 2021)

Halogen-Free

Status

Low-Halogen

For more information, please visit [Contact US](#)

China ROHS

ELV

RoHS Phthalates

China RoHS

Green Image

Not Relevant

Not Contained

Search Parts in this Series

[2560](#) Series

Use With

[2139](#) KK Crimp Terminal. [2145](#) KK PC Board Connector

PLEASE CHECK WWW.MOLEX.COM FOR LATEST PART INFORMATION