

PLEASE CHECK WWW.MOLEX.COM FOR LATEST PART INFORMATION

Part Number: [0015040220](#)
Status: **Active**
Overview: [KK® Interconnect System - Molex](#)
Description: 3.96mm Pitch KK Polarizing Peg with Boss

Documents:

[3D Model](#) [3D Model \(PDF\)](#)
[Drawing \(PDF\)](#) [RoHS Certificate of Compliance \(PDF\)](#)

General

Product Family	Accessories
Series	2560
Component Type	Polarizing Key
Overview	KK® Interconnect System - Molex
Product Name	KK 396
UPC	800754220743

Physical

Circuits (Loaded)	1
Circuits (maximum)	1
Color - Resin	Natural
Lock to Mating Part	No
Material - Resin	Nylon
Net Weight	0.051/g
Packaging Type	Bag

Solder Process Data

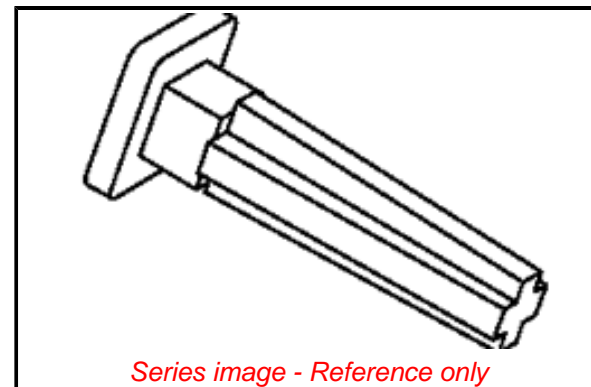
Lead-freeProcess Capability	N/A
-----------------------------	-----

Material Info

Engineering Number	25602
--------------------	-------

Reference - Drawing Numbers

Sales Drawing	SD-2560
---------------	---------



Series image - Reference only

EU ELV

Not Relevant

EU RoHS

Compliant

REACH SVHC

Not Contained Per -
D(2020)9139-DC (19
Jan 2021)

Halogen-Free

Status

Low-Halogen

For more information, please visit [Contact US](#)

China ROHS

ELV

RoHS Phthalates

China RoHS

Green Image

Not Relevant

Not Contained

Search Parts in this Series

[2560](#) Series

Use With

[2139](#) KK Crimp Terminal. [2145](#) KK PC
Board Connector